



Locking device made of metal, for selector switch, 22 mm, short or long handle, in position right

| | |
|---|--|
| product brand name | SIRIUS ACT |
| product designation | Locking device |
| design of the product | for selectors (short/long actuator), in the right position |
| product type designation | 3SU1 |
| General technical data | |
| protection class IP | IP66, IP67, IP69(IP69K) |
| Installation/ mounting/ dimensions | |
| height | 47.5 mm |
| width | 47 mm |
| depth | 21.1 mm |
| Accessories | |
| material of accessory | Metal |
| color of accessory | Silver |
| Certificates/ approvals | |
| General Product Approval | Declaration of Conformity |



[Miscellaneous](#)

| | | |
|---------------------------|-------------------|-------------------|
| Declaration of Conformity | Test Certificates | Marine / Shipping |
|---------------------------|-------------------|-------------------|

[Miscellaneous](#)

[Type Test Certificates/Test Report](#)



| | |
|-------------------|-------|
| Marine / Shipping | other |
|-------------------|-------|



[Confirmation](#)

Further information

Information- and Downloadcenter (Catalogs, Brochures,...)

<https://www.siemens.com/ic10>

Industry Mall (Online ordering system)

<https://mall.industry.siemens.com/mall/en/en/Catalog/product?mlfb=3SU1950-0DS80-0AA0>

Cax online generator

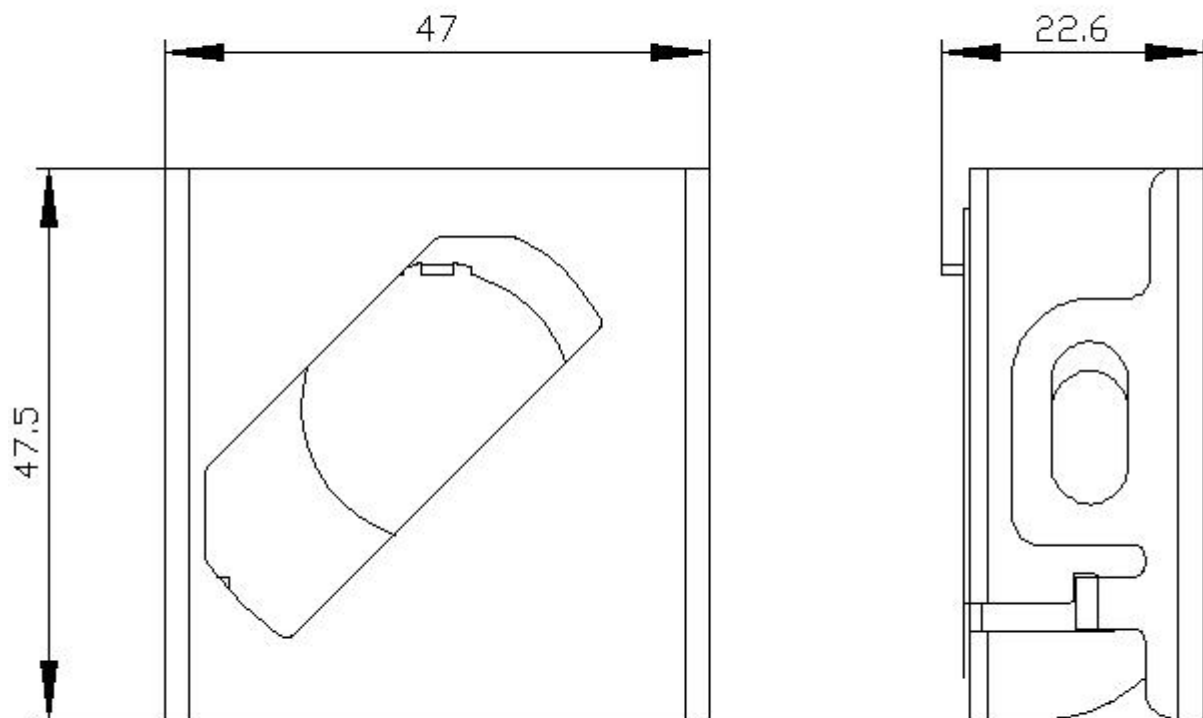
<http://support.automation.siemens.com/WW/CAXorder/default.aspx?lang=en&mlfb=3SU1950-0DS80-0AA0>

Service&Support (Manuals, Certificates, Characteristics, FAQs,...)

<https://support.industry.siemens.com/cs/ww/en/ps/3SU1950-0DS80-0AA0>

Image database (product images, 2D dimension drawings, 3D models, device circuit diagrams, EPLAN macros, ...)

http://www.automation.siemens.com/bilddb/cax_de.aspx?mlfb=3SU1950-0DS80-0AA0&lang=en



last modified:

5/15/2020 