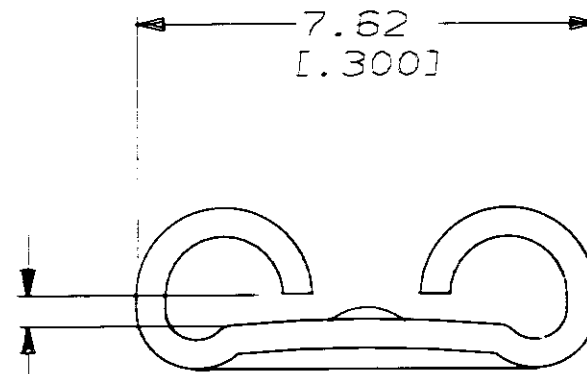
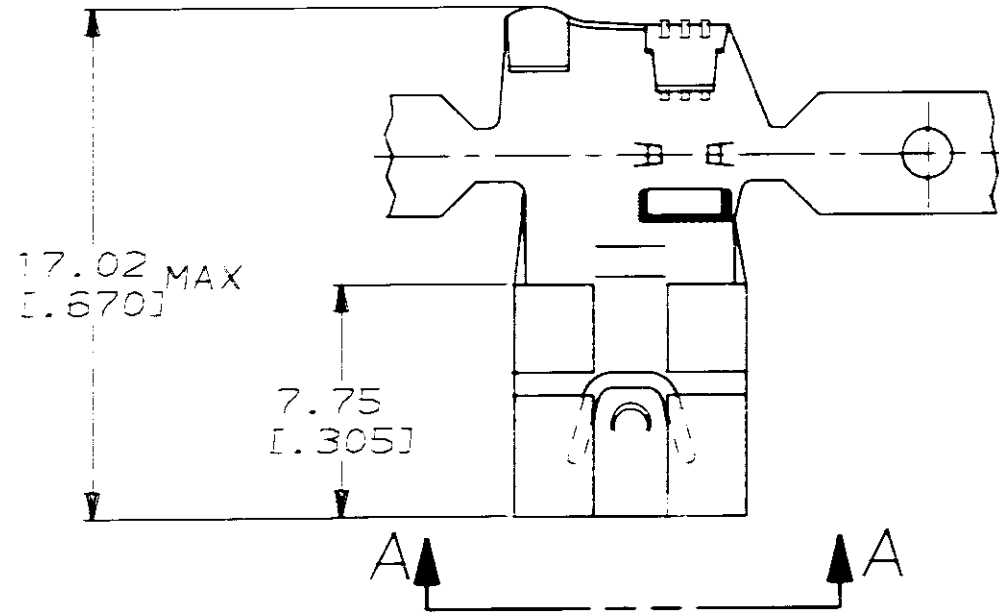


DRAWING MADE IN THIRD ANGLE PROJECTION

THIS DRAWING IS UNPUBLISHED. RELEASED FOR PUBLICATION

© COPYRIGHT 1984 BY AMP INCORPORATED, HARRISBURG, PA. ALL INTERNATIONAL RIGHTS RESERVED. AMP PRODUCTS MAY BE COVERED BY U.S. AND FOREIGN PATENTS AND/OR PATENTS PENDING.

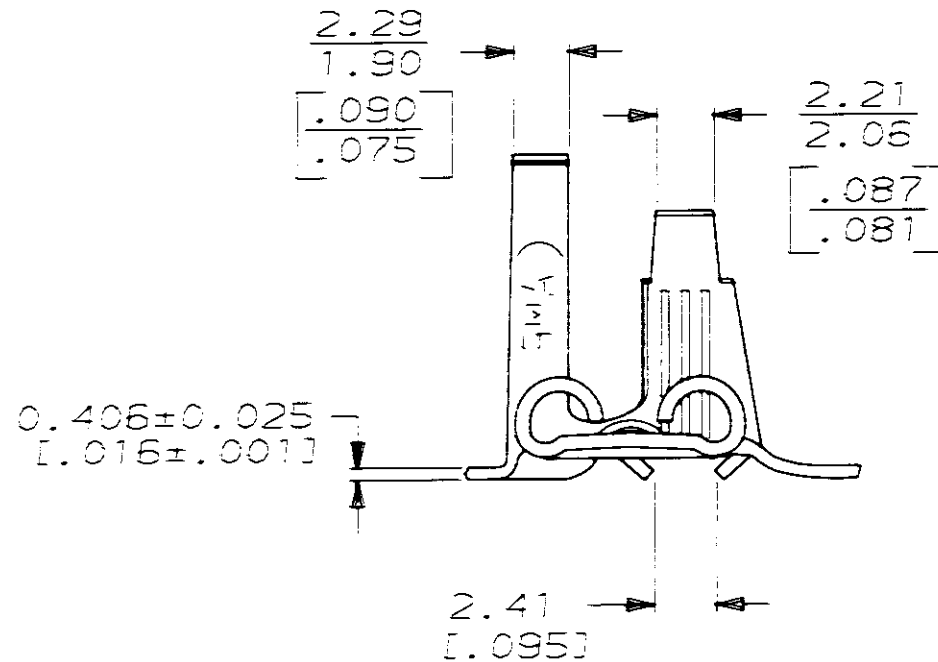
LOC AF	DIST 50	P	F	ZONE	LTR	REVISIONS		DATE	APPROVED
					A	DESCRIPTION	RELEASED	10/2/91	JR



FITS 6.35 [.250] SERIES FASTON TAB

VIEW A-A
SCALE 8:1

- 1 CONTINUOUS STRIP ON REELS
- 2 0.00381 [.000150] MIN NICKEL PL PER QQ-N-290



$\triangle 2$	2.79-5.33 [.110-.210]	0.8mm ² -3.0mm ² [18-12] AWG	0.81 ± 0.025 [.032 ± .001]	63604-1
FINISH	INSULATION RANGE	WIRE SIZE	MATING TAB THK. ± .001	PART NO
UNLESS OTHERWISE SPECIFIED DIMENSIONS ARE IN INCHES TOLERANCES ON: 2 PL DEC ± 0.25 [.010] 3 PL DEC ± - ANGLES ± -	DR P FORTNEY 5/13/91	AMP INCORPORATED Harrisburg, Pa. 17105		
	CHK JR RUTH 5/13/91			
MATERIAL #2 HARD CRS	APPD C MEYERS 5/13/91	NAME RECEPTACLE, FASTON, FLAG 6.35 [.250] SERIES		
	APPD R KUZC 5/13/91			
FINISH SEE TABLE	PRODUCT SPEC	SIZE B	FSCM NO 00779	DRAWING NO 63604
	APPLICATION SPEC	SCALE 4:1	SHEET 1 OF 1	
	WEIGHT			

METRIC

CUSTOMER DRAWING