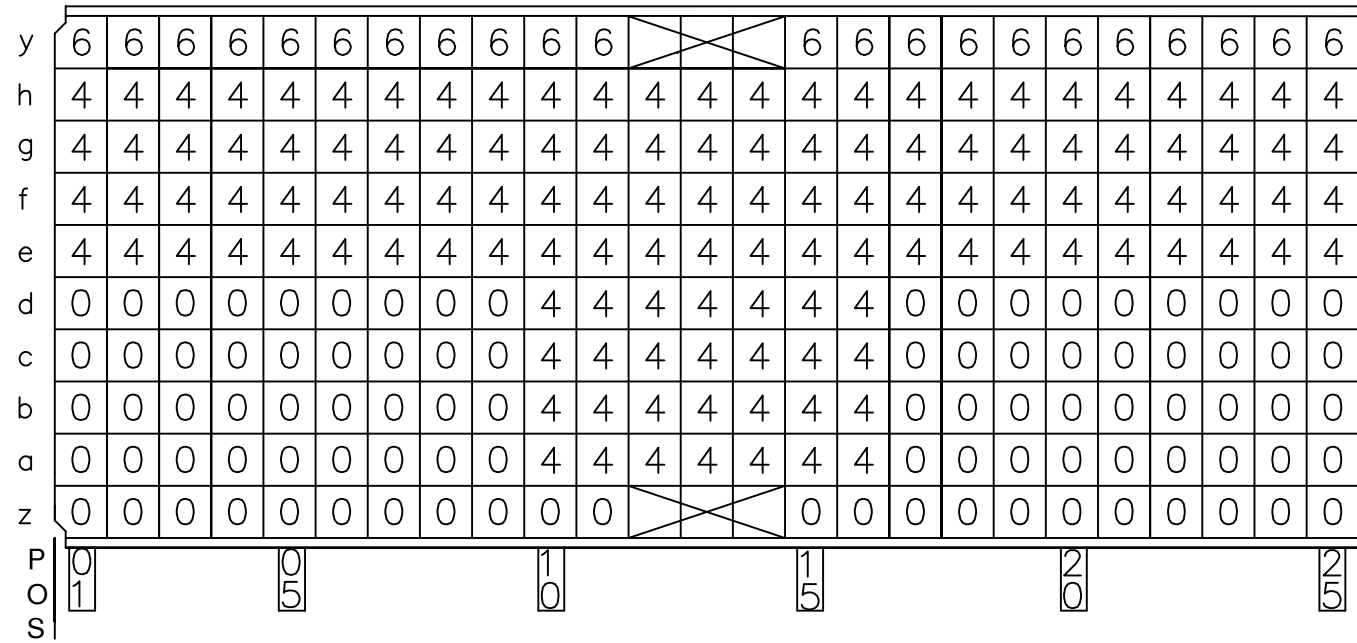
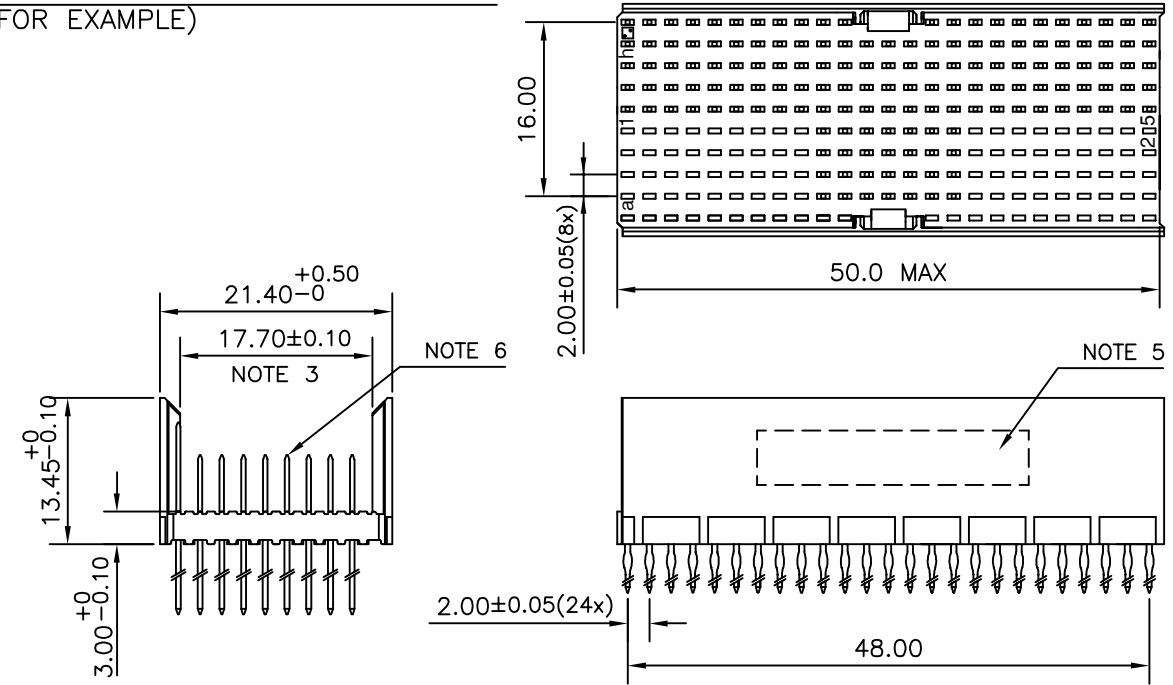


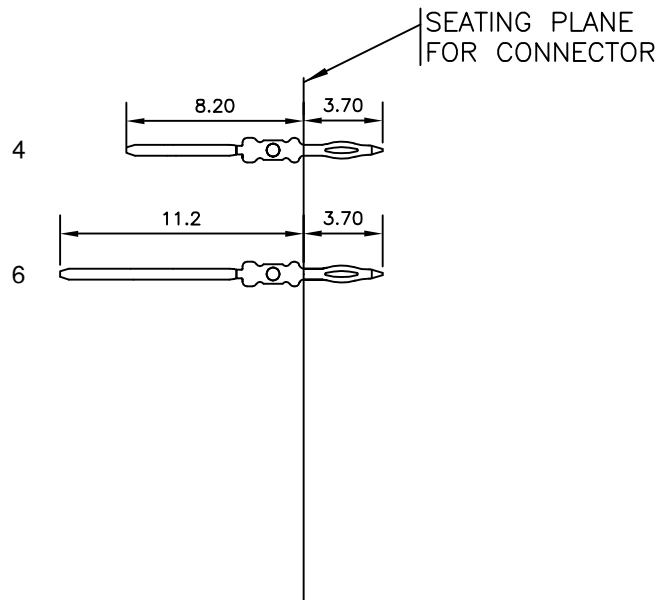
LOADING PATTERN MATING SIDE



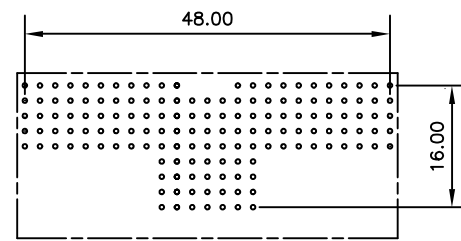
LOADED CONNECTOR ASSEMBLY (FOR EXAMPLE)



CONTACT OVERVIEW



LAY-OUT P.C.B.-HOLE



HM2P95PDH3W5 LEAD FREE INDICATOR : LF = LEAD FREE (DIGIT 15 & 16)
PLATING CODE (DIGIT 13 AND 14)

NOTES

- 1. THIS PRODUCT IS CSA APPROVED.
 - 2. THIS PRODUCT IS UL RECOGNIZED.
 - 3. MEASURED AT THE BOTTOM.
 - 4. MATERIAL CONTACT: PHOSPHORBRONZE
HOUSING: CREAM WHITE GLASS FILLED POLYESTER UL-94V0
 - 5. CONNECTOR PRINTED WITH P/N AND DATE CODE.
 - 6. FOR ACTUAL CONTACT LOADINGS, SEE LOADING PATTERN MATING SIDE.
 - 7. SHAPE OF CONNECTOR HOUSING CAN ALTER DEPENDING ON PRODUCTION LOCATION
 - 8. THE PRODUCT (LF) MEETS EUROPEAN UNION DIRECTIVES AND OTHER COUNTRY REGULATIONS AS DESCRIBED IN GS-22-008
 - 9. FOR RECOMMENDED PTH DIMENSIONS REFER DRAWING : BS, A , 201572 , 001
- CATALOG NO. HM2P95PDH3W5- ---

mat'l. code SEE NOTE 4		surface ISO 1302	tolerance ISO 406 ISO 1101	projection	product family MLLIPACS
ltr	ecn no	dr	date	tolerances unless otherwise specified	title
A	I05-0014	MINI	2005-01-24	angles .0±0.2	MPACS 8+2R STR HDR PF CONN TYPE DE
B	I05-0199	MINI	2005-10-21	linear .00±0.1	
C	I06-0090	MINI	2006-07-01	0°±1°	
		dr	MINI K VANDANATH	2005-01-24	dwg no
		engr	BIJU K PAUL	2005-01-24	sheet 1 of 1
		chr	BIJU K PAUL	2006-07-01	size
		appd	BIJU K PAUL	2006-07-01	A3
sheet index	revision sheet	C			type Product Customer Drawing
	1				