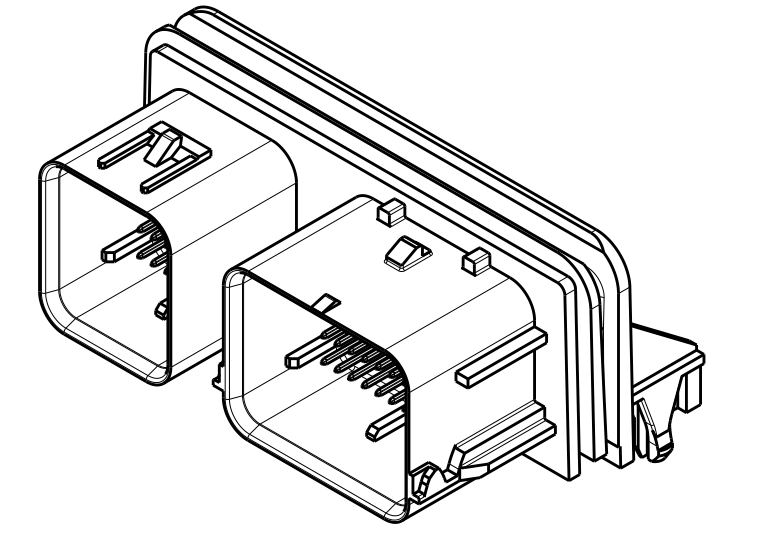
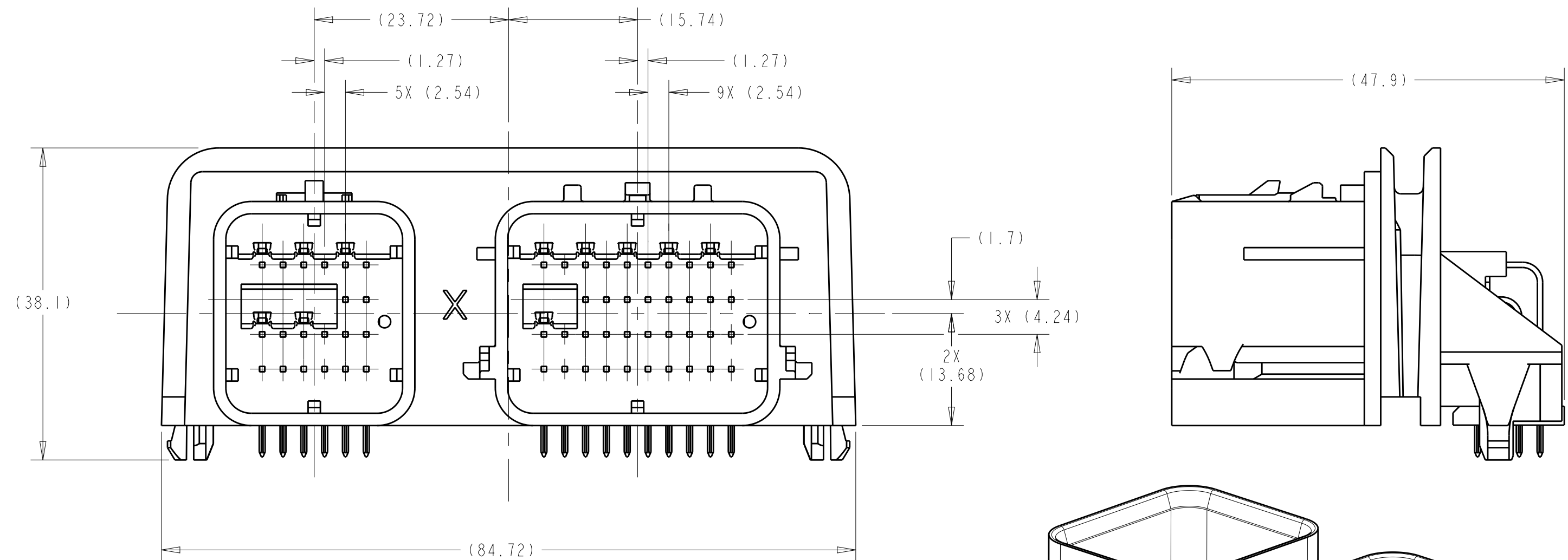
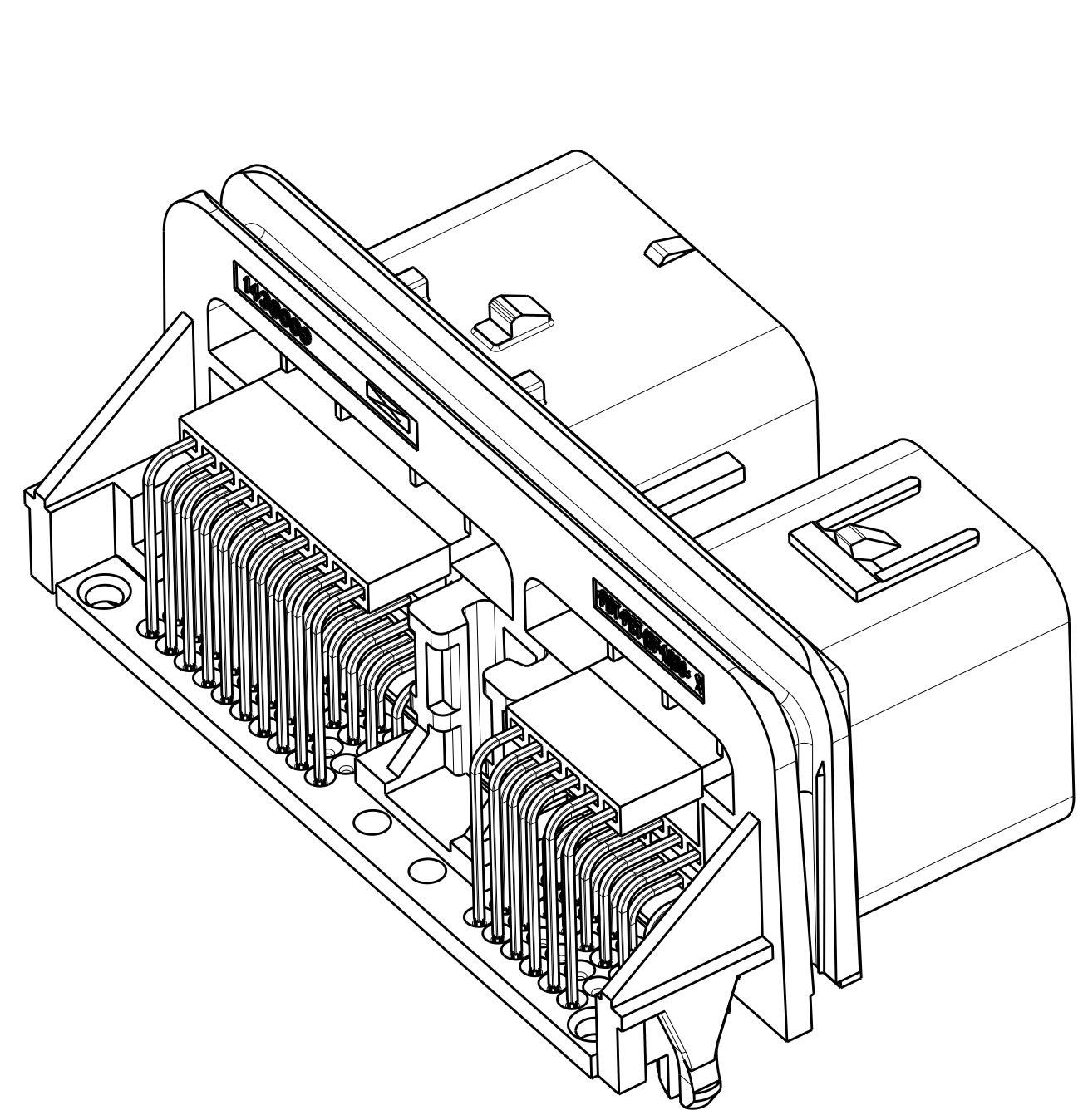
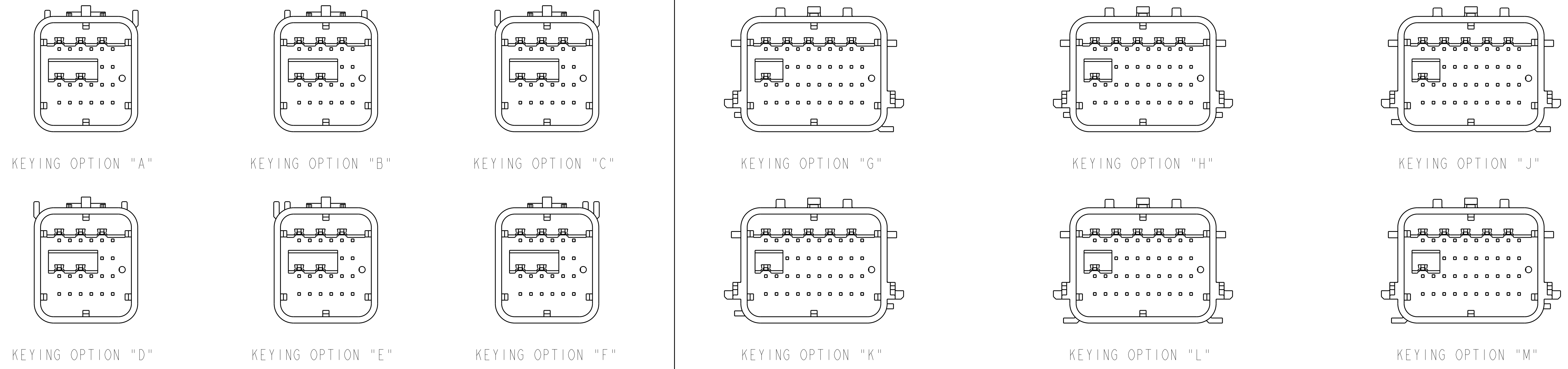


LOC	DIST	REVISIONS					
		P	LTN	DESCRIPTION	DATE	DWN	APVD
FX	00	D		REVISED PER ECO-08-010697	06MAY2008	RGV	WTW
		E		REVISED PER ECO-08-017223	06AUG2008	DLD	WTW
		F		REVISED PER ECO-10-001845	15FEB2010	DLD	WTW
		G		REV PER ECO-20-017332	06JAN2021	RGV	WTW

24 WAY POCKET KEYING OPTIONS

40 WAY POCKET KEYING OPTIONS



1. 0.64 CONTACT:
 MATERIAL: CuMg0.1
 CONTACT AREA PLATING: >0.8µm Au OVER
 2 - 3.5µm Ni
 SOLDER TAIL PLATING: 2.5 - 4µm Sn OVER
 2 - 3.5µm Ni PER FORD SPEC.
 ES-F8DB-14A229-AA/BA/CA/DA

2. PRINT TRACEABILITY CODE (YY = TWO DIGIT YEAR, JJJ = JULIAN DAY, HH = TWO DIGIT MILITARY HOUR) AND CUSTOMER NUMBER ON 40 WAY POCKET OPPOSITE THE LATCH.

3. PART ASSEMBLY WEIGHT WITH 58 CONTACT PINS IS 57.30 GRAMS.

ASSEMBLY PART NUMBER									
1438322-6	1438322-5	1438322-4	1438322-3	2-1419171-1	8-1419157-9				
16	16	16	16	16	16	6	0.64 PLATED CONTACT	SEE NOTE 1	SEE NOTE 1
16	16	16	16	16	16	5	0.64 PLATED CONTACT	SEE NOTE 1	SEE NOTE 1
10	10	10	10	10	4	0.64 PLATED CONTACT	SEE NOTE 1	SEE NOTE 1	
16	16	16	16	16	16	3	0.64 PLATED CONTACT	SEE NOTE 1	SEE NOTE 1
1	1	1	1	1	1	2	TEMPLATE	>PBT-GF30<	BLACK
1	1	1	1	1	1	1	HEADER WITH KEYING "AH"	>PBT-GF30<	GRAY
1	1	1	1	1	1	1	HEADER WITH KEYING "AG"	>PBT-GF30<	GRAY
1	1	1	1	1	1	1	HEADER WITH KEYING "AH"	>PBT-GF30<	BLACK
1	1	1	1	1	1	1	HEADER WITH KEYING "BH"	>PBT-GF30<	BLACK
1	1	1	1	1	1	1	HEADER WITH KEYING "DG"	>PBT-GF30<	BLACK
1	1	1	1	1	1	1	HEADER WITH KEYING "AG"	>PBT-GF30<	BLACK
QUANTITY	ITEM	DESCRIPTION	MATERIAL	COLOR/FINISH					

NO KEYING OPTION SHOWN

DIMENSIONS: mm 		TOLERANCES UNLESS OTHERWISE SPECIFIED: 0 PLC ± 1 PLC ±0.3 2 PLC ±0.10 3 PLC ± 4 PLC ± ANGLES ±		DWN: M. FORLSKA 19APR2002 CHK: M. FORLSKA 19APR2002 APVD: A. VALASEK 19APR2002 PRODUCT SPEC APPLICATION SPEC WEIGHT: SEE NOTE 3 CUSTOMER DRAWING		Tyco Electronics Harrisburg, PA 17105-3608 NAME: 64 WAY ARM HEADER ASSEMBLY, CUSTOMER SPEC. SIZE: CAGE CODE DRAWING NO: 00779 RESTRICTED TO: 8-1419157-9 SCALE: 2:1 SHEET 1 OF 1 REV G	
-----------------------	--	--	--	--	--	---	--