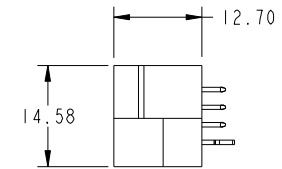
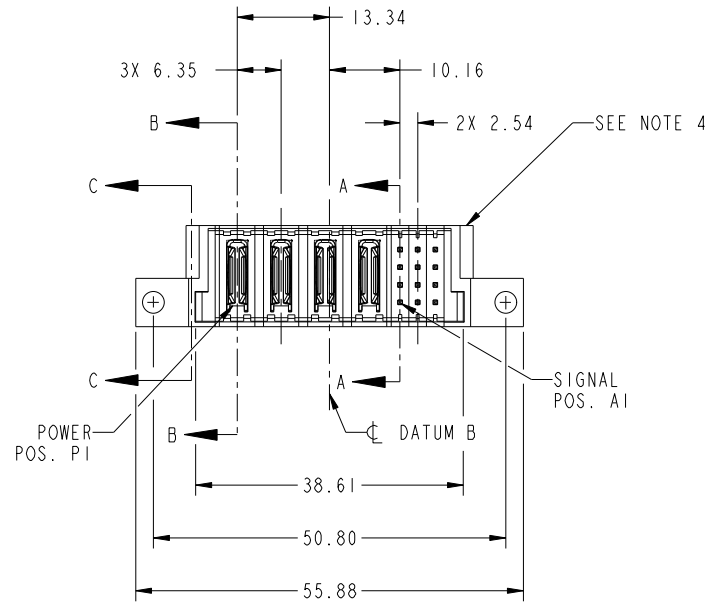
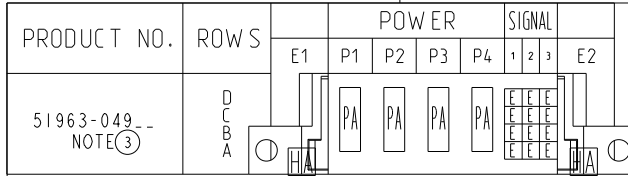


Tous droits strictement reserves. Reproduction ou communication a des tiers interdite sous quelque forme que ce soit sans autorisation écrite du propriétaire. Propriete de c FCI. Droits de reproduction FCI.



All rights strictly reserved. Reproduction or issue to third parties in any form whatever is not permitted without written authority from the proprietor. Property of FCI. Copyright FCI.



CODE	DIM "M" MATING LENGTH	CONTACT TYPE
PA	[N/A]	POWER
E	[6.86]	SIGNAL
HA	[N/A]	HOLD-DOWN

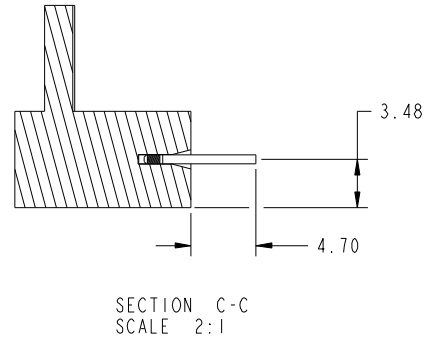
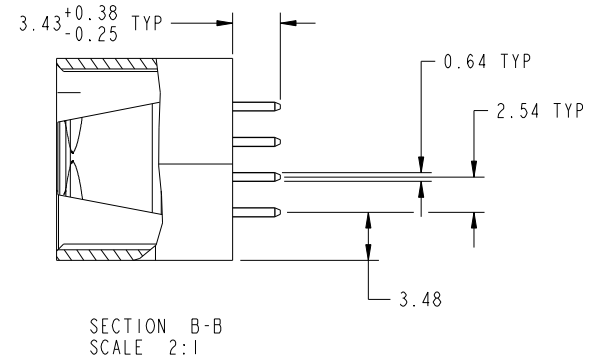
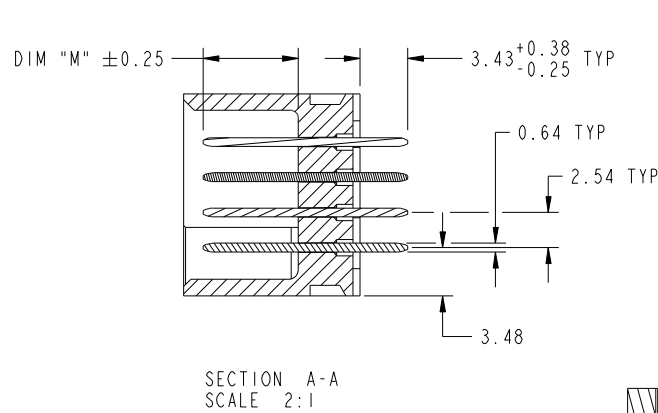
mat'l code				tolerances unless otherwise specified				CUSTOMER		FCI	
ltr	ecn no.	dr	date	linear	0.X ± 0.5		COPY		www.fciconnect.com		
A	DG10-0036	WL	1/28/10		0.XX ± 0.25		projection		title		
					0.XXX ± 0.1				4P + 12S VERTICAL STB HEADER		
				angles	0° ± 2°				product family PwrBlade code		
				dr	WL ZHANG	1/28/10	scale		size		
				enr	WL ZHANG	1/28/10	1:1		dwg no		
				chr	PM ZHENG	1/28/10			51963-049		
				appd	JOSEPH HSIA	1/28/10			sheet		
sheet index		revision sheet		A	A	A	A			1 of 4	
		1	2	3	4					cage code	
										22526	

Tous droits strictement reserves. Reproduction ou communication a des tiers interdite sous quelque forme que ce soit sans autorisation écrite du propriétaire. Propriete de c FCI. Droits de reproduction FCI.

All rights strictly reserved. Reproduction or issue to third parties in any form whatever is not permitted without written authority from the proprietor. Property of FCI. Copyright FCI.



PRODUCT NUMBER
51963-049__
NOTE 3



mat'l code				tolerances unless otherwise specified		CUSTOMER		FCI	
ltr	ecn no.	dr	date	linear	0.X ±0.5	COPY		www.fciconnect.com	
A					0.XX ±0.25	projection		title	
				angles	0.XXX ±0.1			4P + 12S VERTICAL STB HEADER	
				dr	0° ±2°	MIM		product family PwrBlade code	
				enr	WL ZHANG 1/28/10	scale		size	
				chr	WL ZHANG 1/28/10	1:1		dwg no	
				appd	PM ZHENG 1/28/10	A		51963-049	
					JOSEPH HSIA 1/28/10			sheet	
sheet index		revision sheet						2 of 4	

cage code 22526

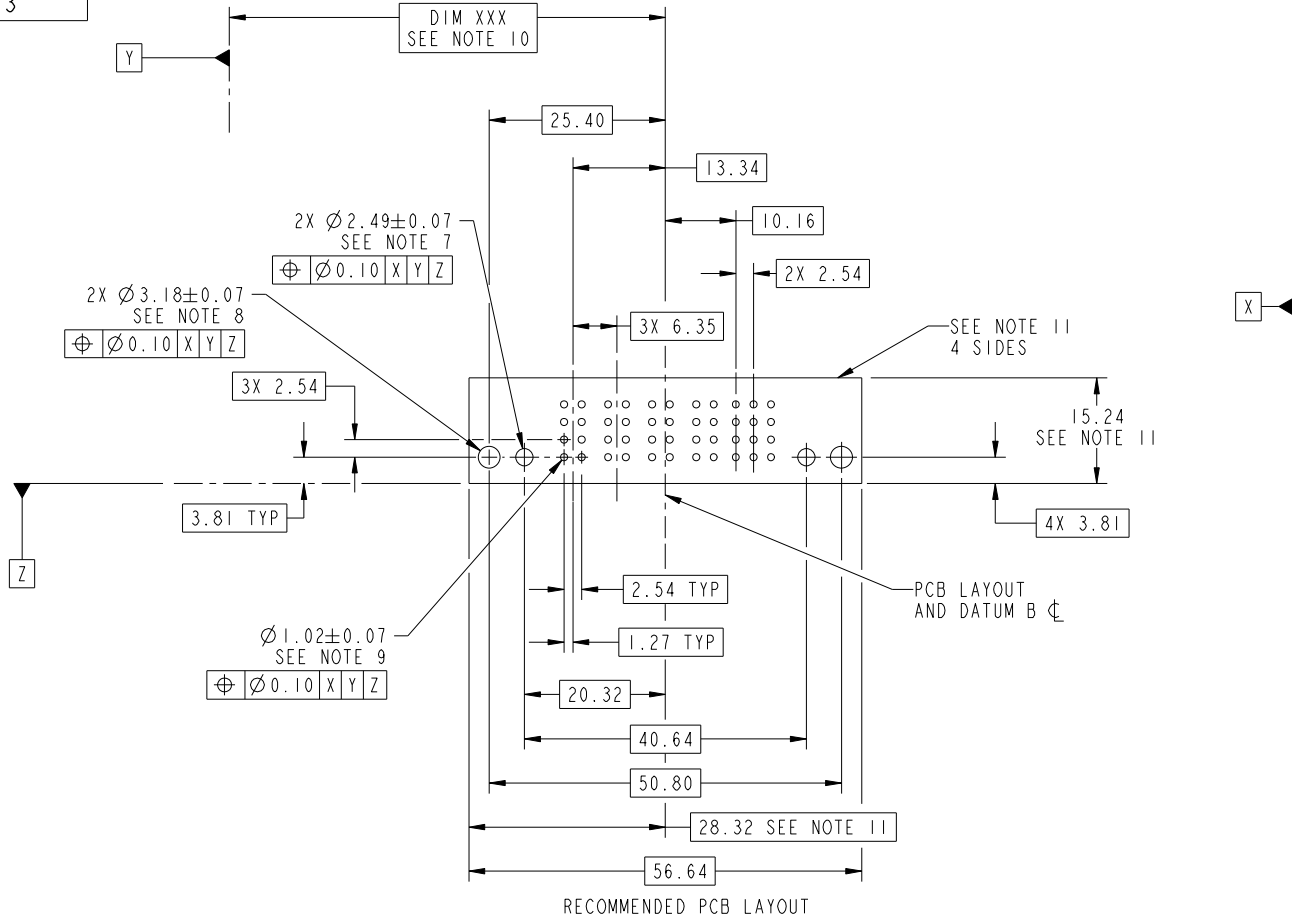
Pro/E

Tous droits strictement reserves. Reproduction ou communication a des tiers interdite sous quelque forme que ce soit sans autorisation écrite du propriétaire. Propriete de c FCI. Droits de reproduction FCI.



All rights strictly reserved. Reproduction or issue to third parties in any form whatever is not permitted without written authority from the proprietor. Property of FCI. Copyright FCI.

PRODUCT NUMBER
51963-049__
NOTE 3



RECOMMENDED PCB LAYOUT

mat'l code				tolerances unless otherwise specified		CUSTOMER		FCI	
ltr	ecn no.	dr	date	linear	0.X ±0.5	COPY		www.fciconnect.com	
A				linear	0.XX ±0.25	projection		title	
				angles	0.XXX ±0.1			4P + 12S VERTICAL STB HEADER	
				dr	0° ±2°			product family PwrBlade code 213	
				enrg	WL ZHANG 1/28/10	scale		size	
				chr	WL ZHANG 1/28/10	1:1		dwg no 51963-049 sheet 3 of 4	
				appd	PM ZHENG 1/28/10				
					JOSEPH HSIA 1/28/10				
sheet index		revision sheet							

cage code 22526

Pro/E

Tous droits strictement reserves. Reproduction ou communication a des tiers interdite sous quelque forme que ce soit sans autorisation écrite du propriétaire. Propriete de c FCI. Droits de reproduction FCI.

All rights strictly reserved. Reproduction or issue to third parties in any form whatever is not permitted without written authority from the proprietor. Property of FCI. Copyright FCI.

PRODUCT NUMBER
51963-049--
NOTE 3

NOTES:

1. DIMENSIONS AND TOLERANCES ARE IN ACCORDANCE WITH ASME Y14.5M, 1994 UNLESS OTHERWISE SPECIFIED.

CONNECTOR NOTES:

- 2 HOUSING MATERIAL: UL 94 V-0 GLASS FILLED
HIGH-TEMP THERMOPLASTIC
POWER CONTACT MATERIAL: COPPER ALLOY
SIGNAL PIN MATERIAL: COPPER ALLOY
 - 3. PLATING:
SEE ITEM 1 & 2 IN PRINT 10064183 FOR PLATING SPEC OF 51963-049; 51963-049LF PRESPECTIVELY
 - 4 MANUFACTURER'S NAME, DATE CODE AND OPTIONAL P/N TO APPEAR ON THIS SURFACE.
THE P/N CAN BE OMITTED IF THERE IS NOT ENOUGH SPACE ON THIS SURFACE.
 - 5. PRODUCT SPECIFICATION GS-12-149.
APPLICATION SPECIFICATION BUS-20-067.
 - 6. PACKAGED IN TRAYS.
- PCB NOTES:
- 7. ALL HOLE DIAMETERS ARE FINISHED HOLE SIZE.
 - 8. MOUNTING HOLES, WHERE APPLICABLE, ARE UNPLATED.
 - 9 $\varnothing 1.151 \pm 0.025$ DRILLED HOLES PLATED WITH
0.008 MIN SnPb OR Sn OVER .001 [0.03]
TO 0.08 Cu PLATING TO ACHIEVE
 $\varnothing 1.02 \pm .07$ HOLE.
 - 10 "DIM XXX" TO BE DETERMINED BY THE CUSTOMER.
 - 11 CONNECTOR KEEP-OUT ZONE.

mat'l code				tolerances unless otherwise specified		CUSTOMER		FCI	
ltr	ecr no.	dr	date	linear	0.X ± 0.5	COPY		www.fciconnect.com	
A				linear	0.XX ± 0.25	projection		title	
				angles	0.XXX ± 0.1			4P + 12S VERTICAL STB HEADER	
				dr	0° ± 2°			product family PwrBlade code	
				enr	WL ZHANG 1/28/10	scale		size	
				chr	WL ZHANG 1/28/10	1:1		dwg no	
				appd	PM ZHENG 1/28/10	A		51963-049	
					JOSEPH HSIA 1/28/10			sheet	
sheet index		revision sheet						4 of 4	

cage code 22526