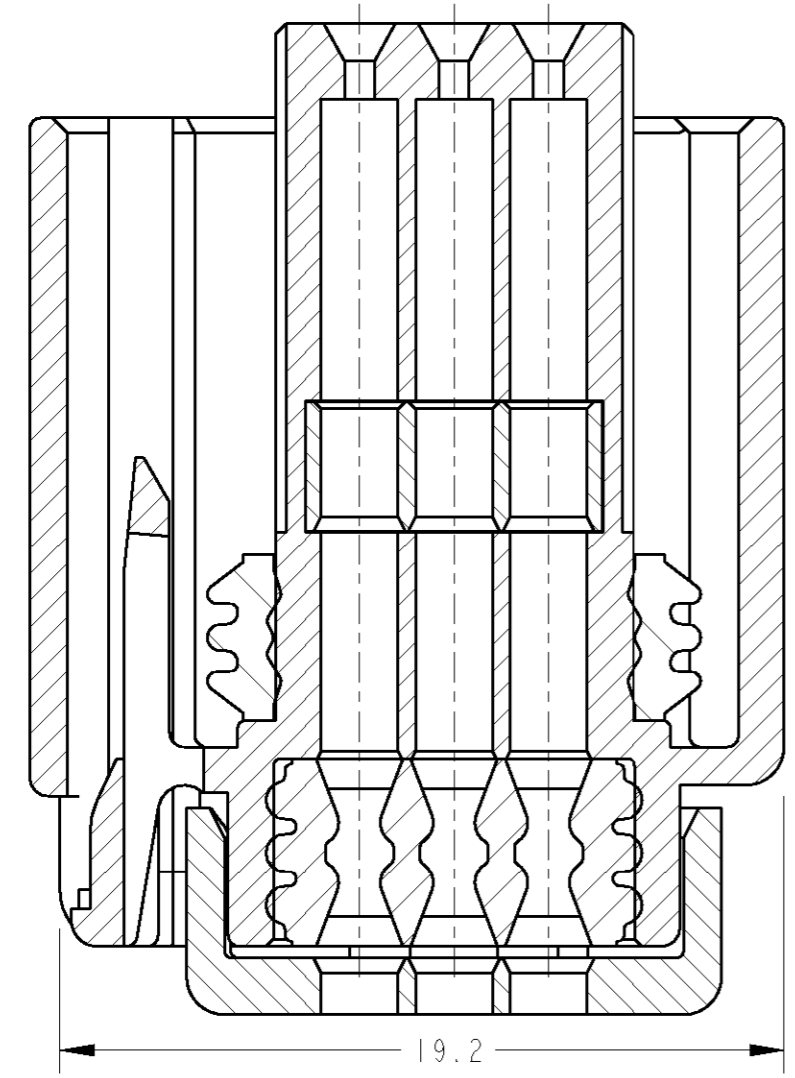
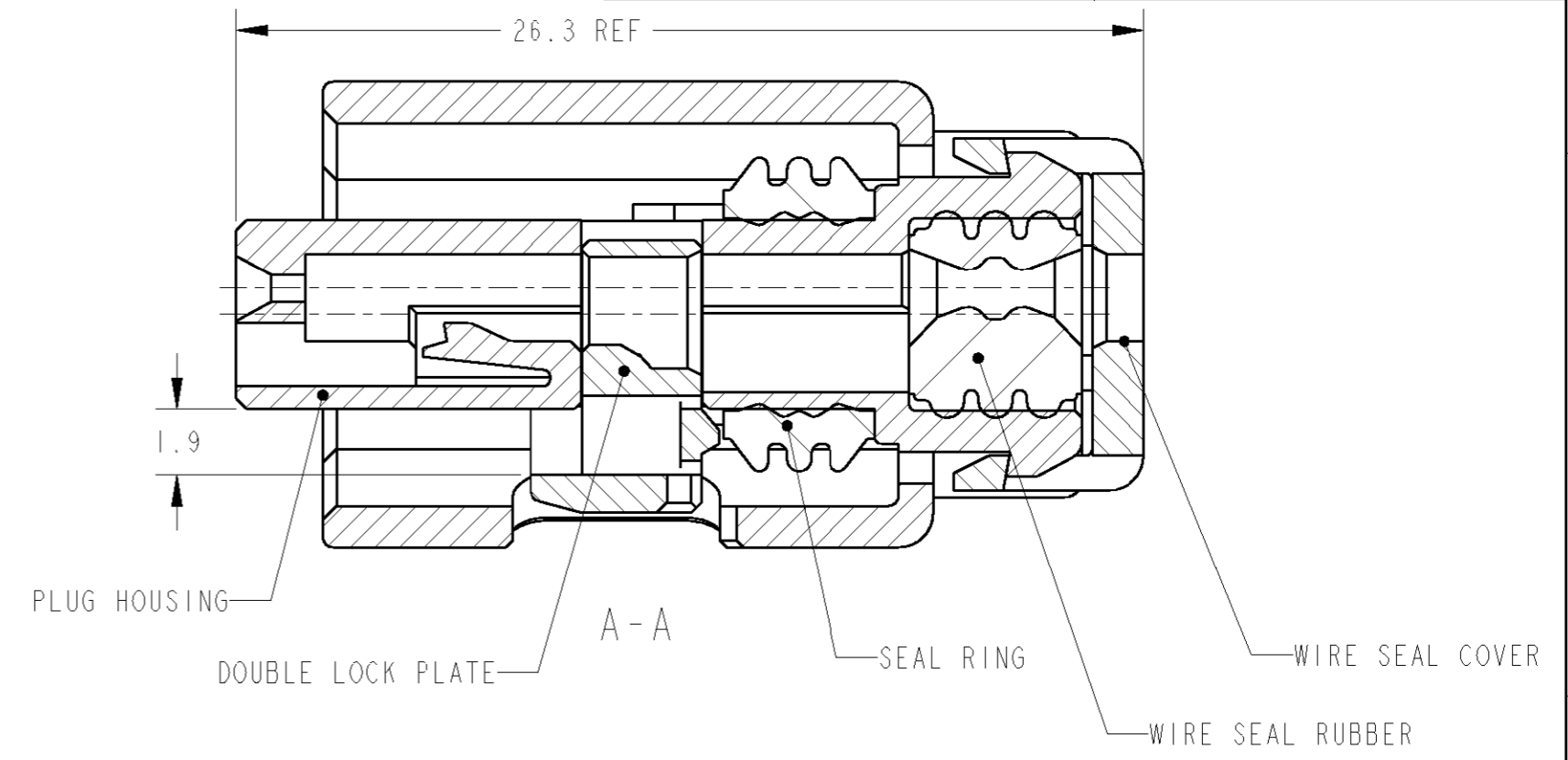
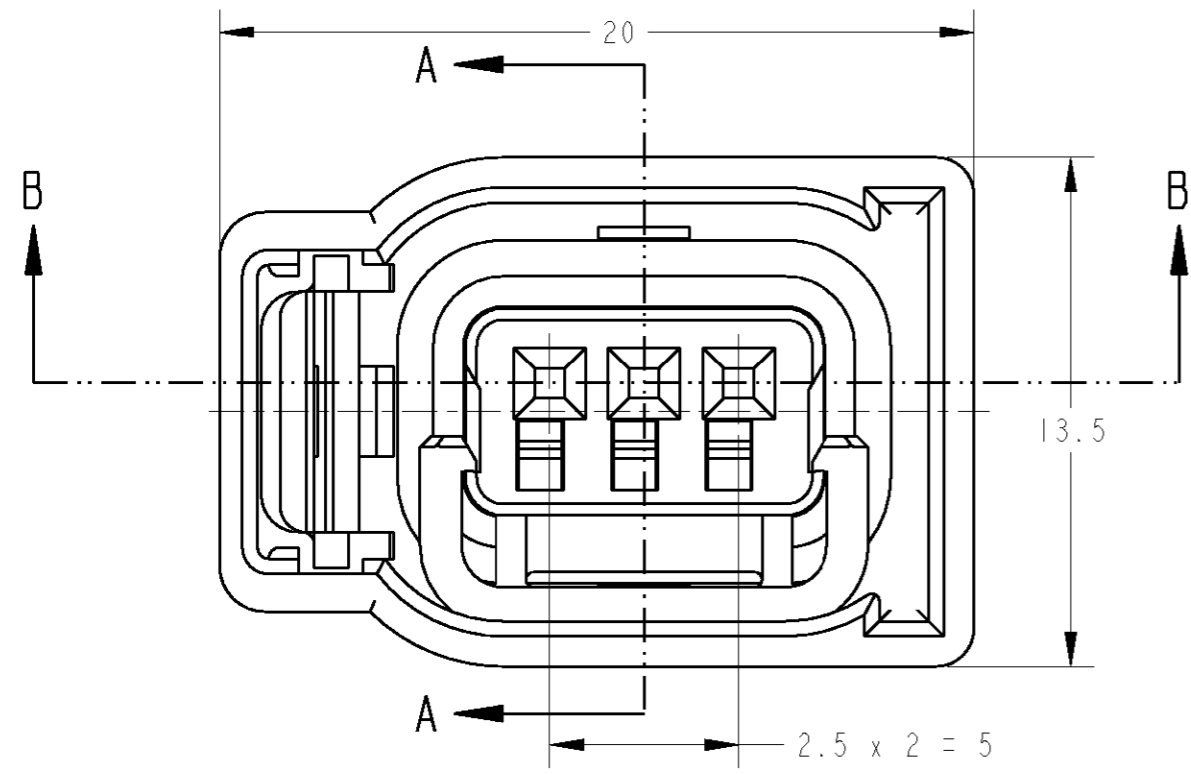


THIS DRAWING IS UNPUBLISHED. RELEASED FOR PUBLICATION .19  
 © COPYRIGHT 19 BY AMP INCORPORATED. ALL RIGHTS RESERVED.

LOC	DIST	REVISIONS						
		P	LTR	DESCRIPTION	ECN	DATE	DWN	APVD
J	-		0	RELEASED	FJ00-1304-00	21NOV00	K.S	K.A



- 1. 相手ハウジングと支障なく嵌合できること。  
嵌合相手型番 ; 1318540
- 2. 適用端子型番 ; 1318329

- 1. MATING WITH CAP HOUSING SMOOTHLY.  
CAP HOUSING PART NUMBER ; 1318540
- 2. APPLICABLE CONTACT PART NUMBER ; 1318329

BLACK	1318670-2
COLOR	PART NUMBER

<small>THIS DRAWING IS A CONTROLLED DOCUMENT FOR AMP INCORPORATED. IT IS SUBJECT TO CHANGE AND THE CONTROLLING ENGINEERING ORGANIZATION SHOULD BE CONTACTED FOR THE LATEST REVISION.</small>		DWN K.SHIGA 21NOV00 CHK Y.FUJIWARA 21NOV00 APVD K.ASAI 21NOV00	<b>AMP</b> Tyco Electronics AMP K.K. Kawasaki, Japan
DIMENSIONS: 単位: 概 mm	TOLERANCES UNLESS OTHERWISE SPECIFIED: 一般公差 = ± 0.5 0-PLC ± 1-PLC ±0.1 2-PLC ±0.01 3-PLC ±0.001 4-PLC ±0.000J ANGLES ±3	PRODUCT SPEC 製品規格 108-5691	NAME 名称 025 SEALED T.P.S CONNECTOR PLUG HOUSING ASSEMBLY 3POSITION
MATERIAL 材料 PBT	FINISH 仕上 -	APPLICATION SPEC 取付適用規格 114-5278	SIZE A3 CAGE CODE 番号 00779 DRAWING NO C-1318670
WEIGHT 4.2g		CUSTOMER DRAWING	
		SCALE 尺度 5:1	SHEET 1 OF 1 REV 0