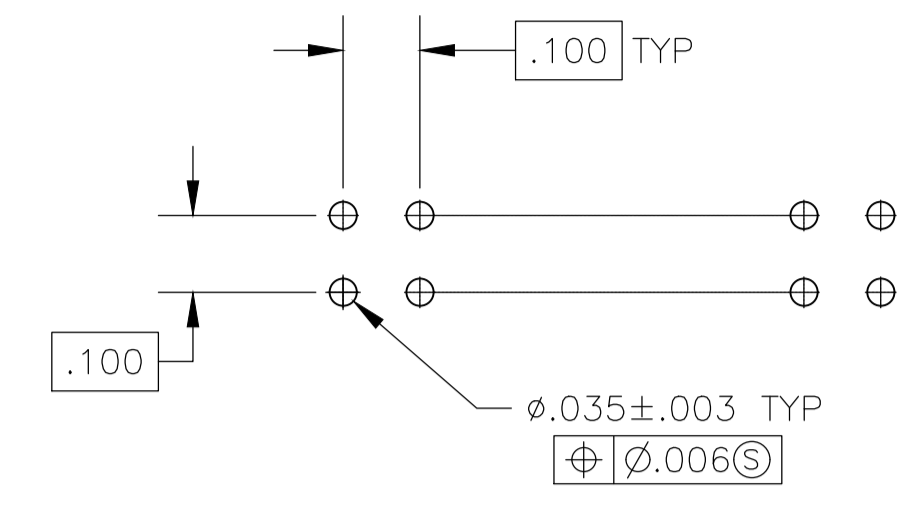
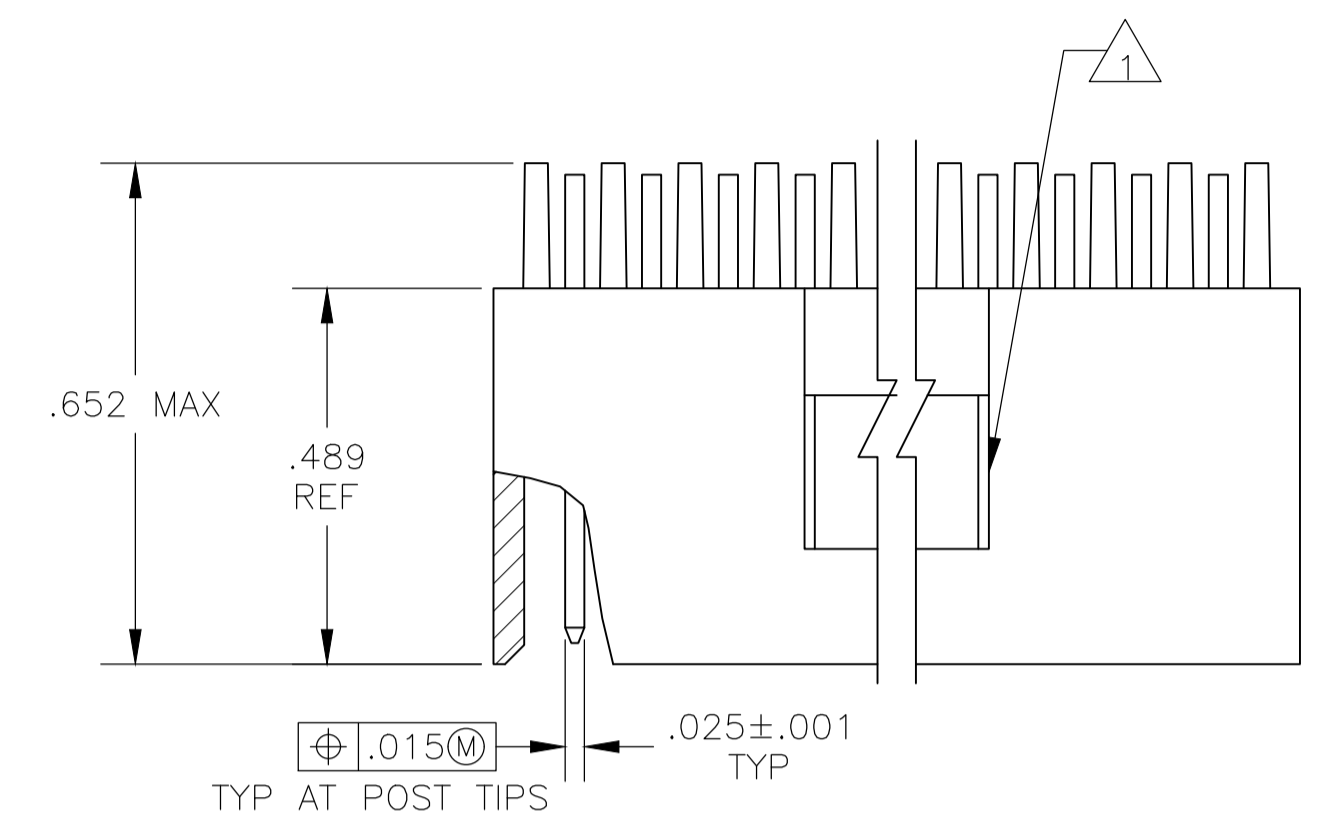
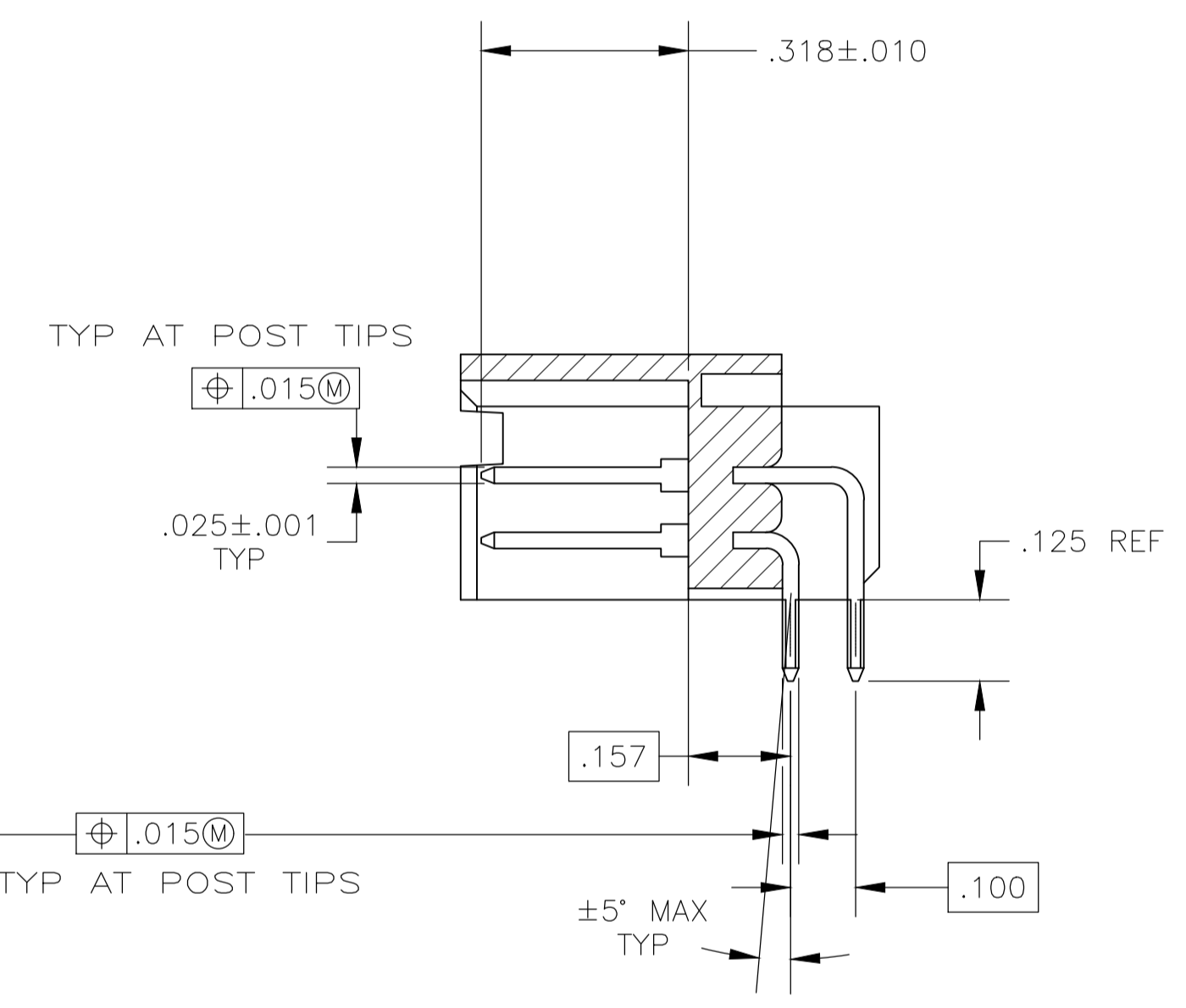
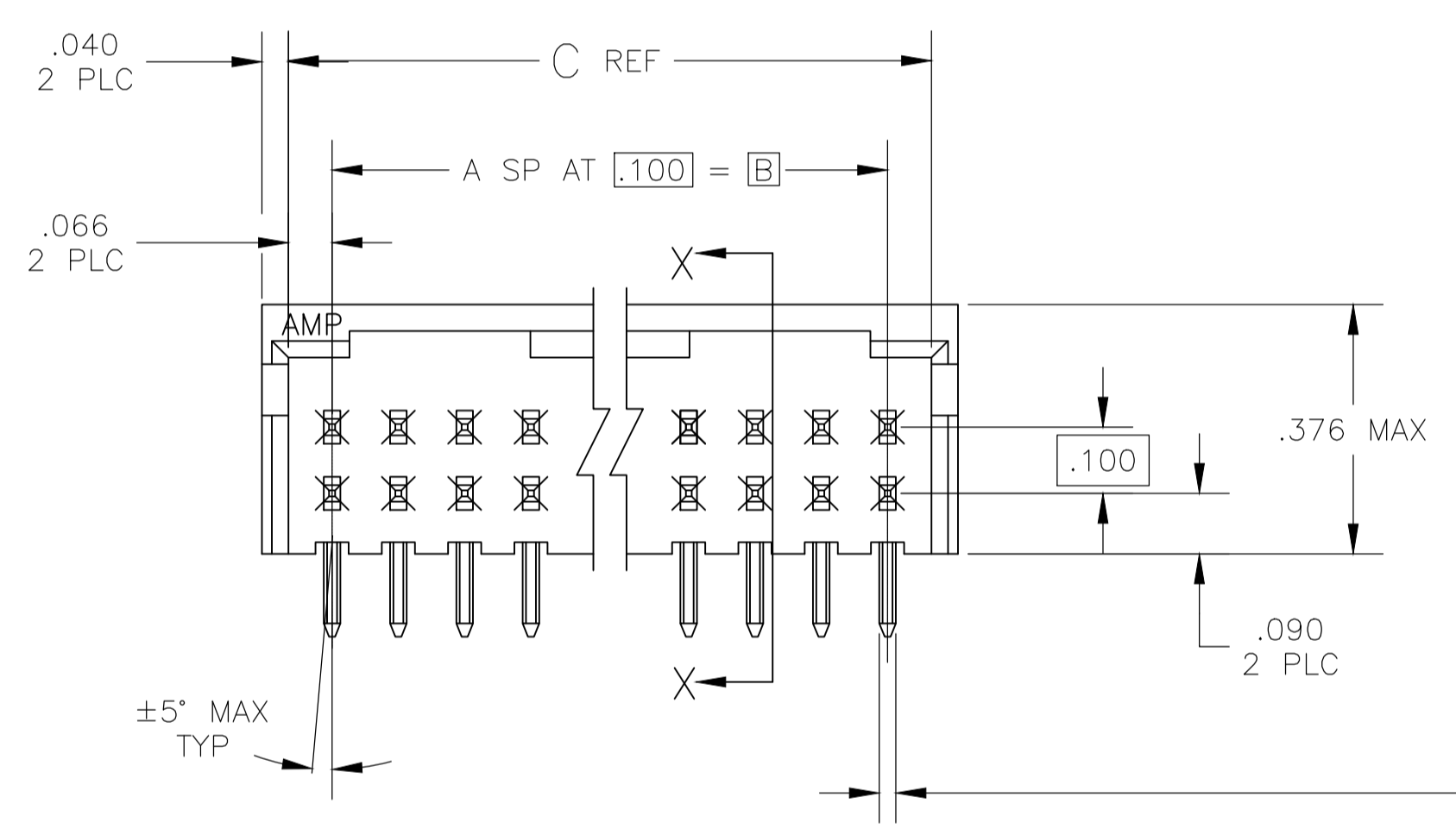


REVISIONS					
P	LTR	DESCRIPTION	DATE	DN	APVD
L2		PART STATUS UPDATED IN PART LIST TABLE	19FEB2018	SD	PS



RECOMMENDED HOLE LAYOUT



SECTION X-X

- ① ACCESS SLOT.
- ② CONTACT: .000100-.000200 BRIGHT TIN-LEAD OVER .000050 NICKEL.
- ③ CONTACT: .000100-.000200 MATTE TIN OVER .000050 NICKEL.
- ④ OBSOLETE PARTS: OBSOLETE CIS STREAMLINING PER D.RENAUD/D.SINISI

④	③	.332	.200	2	6	8-87572-5
④	③	3.032	2.900	29	60	7-87572-7
④	③	2.532	2.400	24	50	7-87572-2
④	③	2.032	1.900	19	40	6-87572-7
④	③	1.732	1.600	16	34	6-87572-4
④	③	1.332	1.200	12	26	6-87572-0
④	③	1.032	.900	9	20	5-87572-7
④	③	.932	.800	8	18	5-87572-6
④	③	.832	.700	7	16	5-87572-5
④	③	.732	.600	6	14	5-87572-4
④	③	.632	.500	5	12	5-87572-3
④	③	.532	.400	4	10	5-87572-2
④	③	.432	.300	3	8	5-87572-1
④	②	.332	.200	2	6	3-87572-5
④	②	3.732	3.600	36	74	3-87572-4
④	②	3.632	3.500	35	72	3-87572-3
④	②	3.532	3.400	34	70	3-87572-2
④	②	3.432	3.300	33	68	3-87572-1
④	②	3.332	3.200	32	66	3-87572-0
④	②	3.232	3.100	31	64	2-87572-9
④	②	3.132	3.000	30	62	2-87572-8
④	②	3.032	2.900	29	60	2-87572-7
④	②	2.932	2.800	28	58	2-87572-6
④	②	2.832	2.700	27	56	2-87572-5
④	②	2.732	2.600	26	54	2-87572-4
④	②	2.632	2.500	25	52	2-87572-3
④	②	2.532	2.400	24	50	2-87572-2
④	②	2.432	2.300	23	48	2-87572-1
④	②	2.332	2.200	22	46	2-87572-0
④	②	2.232	2.100	21	44	1-87572-9
④	②	2.132	2.000	20	42	1-87572-8
④	②	2.032	1.900	19	40	1-87572-7
④	②	1.932	1.800	18	38	1-87572-6
④	②	1.832	1.700	17	36	1-87572-5
④	②	1.732	1.600	16	34	1-87572-4
④	②	1.632	1.500	15	32	1-87572-3
④	②	1.532	1.400	14	30	1-87572-2
④	②	1.432	1.300	13	28	1-87572-1
④	②	1.332	1.200	12	26	1-87572-0
④	②	1.232	1.100	11	24	87572-9
④	②	1.132	1.000	10	22	87572-8
④	②	1.032	.900	9	20	87572-7
④	②	.932	.800	8	18	87572-6
④	②	.832	.700	7	16	87572-5
④	②	.732	.600	6	14	87572-4
④	②	.632	.500	5	12	87572-3
④	②	.532	.400	4	10	87572-2
④	②	.432	.300	3	8	87572-1

THIS DRAWING IS A CONTROLLED DOCUMENT. DIN S.A.SHUEY 11OCT89
 CJK R. FLICKER 25OCT89
 APVD R. FLICKER 25OCT89 NAME

TE Connectivity

HEADERS ASSY. MOD II, DBL ROW
 .100X.100 C/L, RIGHT ANGLE,
 THREE SIDED SHROUD

PRODUCT SPEC
 APPLICATION SPEC
 SIZE CAGE CODE DRAWING NO RESTRICTED TO
 A1 00779 C=87572

MATERIAL: HOUSING: PHOSPHOR BRONZE; CONTACT: COPPER; POSTPHOS BRONZE
 FINISH: SEE TABLE
 WEIGHT: --
 CUSTOMER DRAWING SCALE 4:1 SHEET 1 OF 1 REV L2