

324050 ✓ ACTIVE



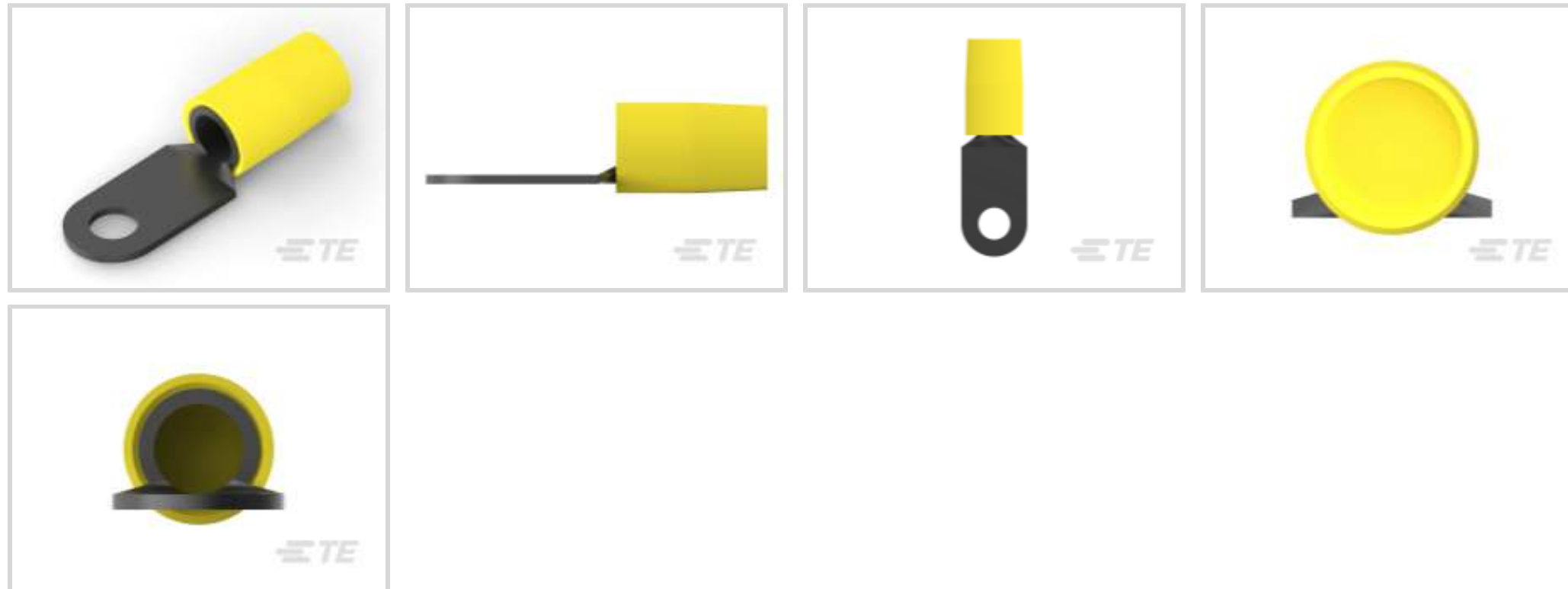
TERMINYL

TE Internal #: 324050

Ring Terminals & Spade Terminals, Ring Tongue, 4 AWG Wire Size, 16.8 – 26.7 mm<sup>2</sup> Wire Size, 33100 – 52600 CMA Wire Size, Stud Size 1/4 / M6

[View on TE.com >](#)

Terminals & Splices > Ring Terminals & Spade Terminals



Ring & Spade Terminal Type: **Ring Tongue**

Wire Size: **33100 – 52600 CMA**

Stud Size: **1/4, M6**

**Features**

**Product Type Features**

Stud Size	1/4, M6
Sealable	No
Wire Insulation Support Retention Type	Insulation Support

**Configuration Features**

Number of Holes	1
-----------------	---

**Body Features**

Product Weight	7.233 g
Insulation Sleeve Color	Yellow

**Contact Features**

Ring & Spade Terminal Type	Ring Tongue
Barrel Type	Closed
Terminal Orientation	Straight
Terminal Plating Material	Tin

**Mechanical Attachment**

Wire Insulation Support	With
-------------------------	------



### Dimensions

Wire Size	33100 – 52600 CMA
Stud Diameter	6.73 mm[.265 in]
Tongue Thickness	1.22 mm[.048 in]
Product Length	46.02 mm[1.812 in]
Compatible Insulation Diameter (Max)	9.7 mm[.382 in]

### Usage Conditions

Insulation Option	Partially Insulated
Operating Temperature Range	105 °C[221 °F]

### Operation/Application

Compatible With Wire Base Material	Copper
Compatible With Wire Plating Material	Tin

### Industry Standards

Government Qualified Terminal	No
-------------------------------	----

### Packaging Features

Packaging Quantity	100
Packaging Method	Loose Piece

### Product Compliance

[For compliance documentation, visit the product page on TE.com>](#)

EU RoHS Directive 2011/65/EU	Compliant
EU ELV Directive 2000/53/EC	Compliant
China RoHS 2 Directive MIIT Order No 32, 2016	No Restricted Materials Above Threshold
EU REACH Regulation (EC) No. 1907/2006	Current ECHA Candidate List: JUNE 2023 (235) Candidate List Declared Against: JUNE 2023 (235) Does not contain REACH SVHC
Halogen Content	Low Halogen - Br, Cl, F, I < 900 ppm per homogenous material. Also BFR/CFR/PVC Free
Solder Process Capability	Not applicable for solder process capability

#### Product Compliance Disclaimer

This information is provided based on reasonable inquiry of our suppliers and represents our current actual knowledge based on the information they provided. This information is subject to change. The part numbers that TE has identified as

EU RoHS compliant have a maximum concentration of 0.1% by weight in homogenous materials for lead, hexavalent chromium, mercury, PBB, PBDE, DBP, BBP, DEHP, DIBP, and 0.01% for cadmium, or qualify for an exemption to these limits as defined in the Annexes of Directive 2011/65/EU (RoHS2). Finished electrical and electronic equipment products will be CE marked as required by Directive 2011/65/EU. Components may not be CE marked. Additionally, the part numbers that TE has identified as EU ELV compliant have a maximum concentration of 0.1% by weight in homogenous materials for lead, hexavalent chromium, and mercury, and 0.01% for cadmium, or qualify for an exemption to these limits as defined in the Annexes of Directive 2000/53/EC (ELV). Regarding the REACH Regulation, the information TE provides on SVHC in articles for this part number is based on the latest European Chemicals Agency (ECHA) 'Guidance on requirements for substances in articles' posted at this URL: <https://echa.europa.eu/guidance-documents/guidance-on-reach>

## Compatible Parts



TE Part # 47822  
HYP8 TERMINYL 4AWG DIE SET

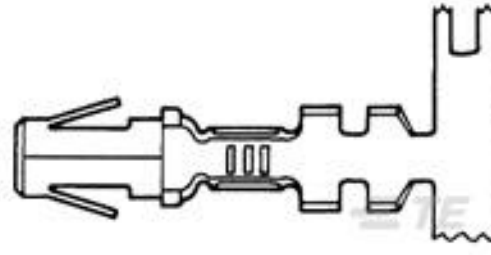


TE Part # 1490599-1  
HYP10 TERMINYL 4AWG DIE SET



TE Part # 601129-2  
HAND TOOL (A.S.I.)

## Customers Also Bought



TE Part #61626-2  
.140 DIA SOK 20-14 PTPPHBZ



TE Part #CTJ722K01C-7067  
MODULE ASSY



TE Part #1718230-2  
1,5MM PIN HSG 5-7 POS ASSY



TE Part #348794-4  
SHORTING CONN TAB HOUSING (BRIG)



TE Part #324056  
TERMINAL,T-N R 1/0 1/4



TE Part #324057  
TERMINAL,T-N R 1/0 3/8



TE Part #324045  
TERMINAL,T-N R 8 3/8



TE Part #324043  
TERMINAL,T-N R 8 10



TE Part #324083  
TERMINAL,T-N R 2/0 5/16



## Documents

### Product Drawings

[TERMINAL,T-N R 4 1/4](#)

English

### CAD Files

Customer View Model

[ENG\\_CVM\\_324050\\_H.3d\\_igs.zip](#)

English

Customer View Model

[ENG\\_CVM\\_324050\\_H.3d\\_stp.zip](#)

English

Customer View Model

[ENG\\_CVM\\_324050\\_H.2d\\_dxf.zip](#)

English

[3D PDF](#)

English

By downloading the CAD file I accept and agree to the [Terms and Conditions](#) of use.

### Product Environmental Compliance

[MD\\_324050\\_080120181444\\_dmtec](#)

English

[MD\\_324050\\_080120181444\\_dmtec](#)

English