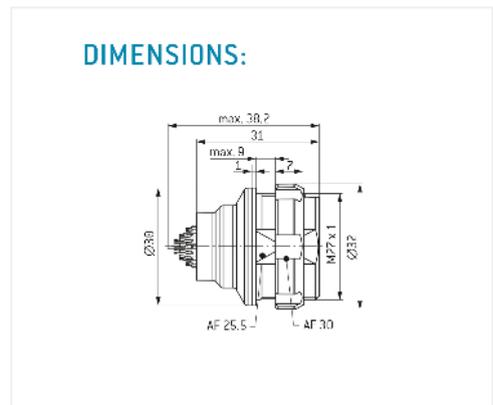
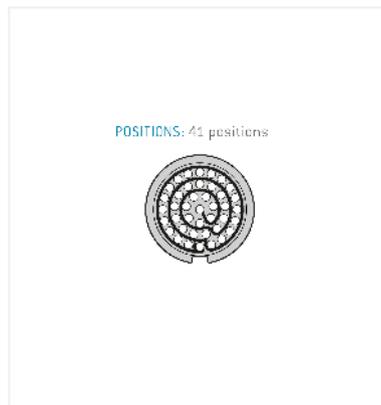
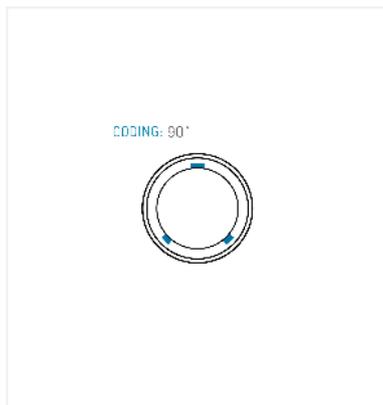


GDBMFG-P41LCD9-0071
medi_snap, type_gd



General information

Part number	GDBMFG-P41LCD9-0071
Termination	solder
Size	3,5
Locking principle	push
Coding	f_key_medi



Contact insert description

Number of contacts	41
Contact type	sockets
Contact diameter	05mm
Insulator material	peek
Wire cross section	26_awg
Termination	solder
Termination diameter	065mm

Technical information

Max. creepage and air clearance distance	05_mm	24_mm
Nominal current single contact	06_a	iec_60512_5_2
Nominal current insert	2,4 A	vde_0298_4
Test voltage	075_kv_ac	eia_364_20f

safety_text

Mechanical and environmental data

Degree of protection*	ip68
Operating temperature	50_120_c
Mating cycles	5000

mated_unmated

Insulator materials MEDI-SNAP®

pei_peek_size_b

Material and surface treatments

Housing	pei_gray
Color option	gray
Contact	cu_alloy_gold

safety_text_2

ul_text

illustrative_text