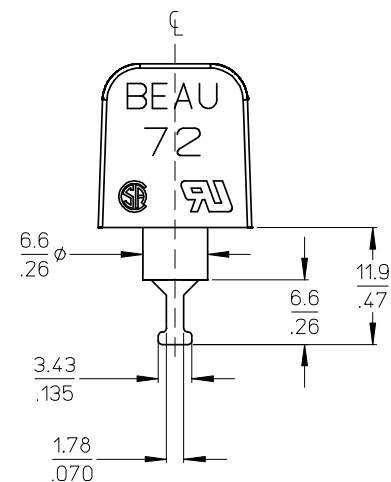
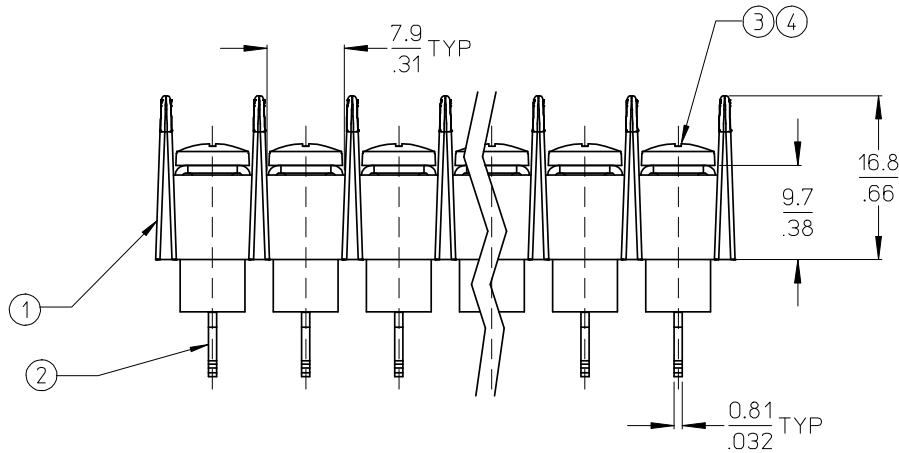
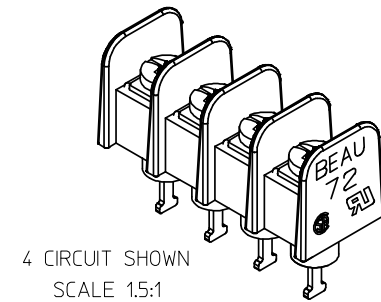
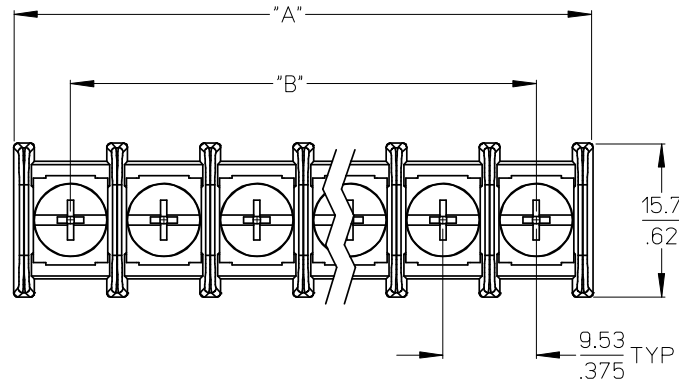


REF. -50 OPT. SCREW
(WHERE APPLICABLE)



NOTES:

- 1. MATERIAL: SEE TABLE.
- 2. FINISHES: SEE TABLE.
- 3. PRODUCT SPECIFICATION: NOT REQUIRED.
- 4. ROHS COMPLIANT.

| ITEM | QTY. | DESCRIPTION | MATERIAL | FINISH |
|------|------|--|-----------------|--------------------|
| 5 | XX | SCREW/WASHER, #6-32X.250 PAN PH/SL (-50 OPT) | STEEL | ZN, CLEAR CHROMATE |
| 4 | XX | SCREW, #6-32X.250 BHD PH/SL (-49 OPT) | BRASS | NICKEL PLATE |
| 3 | XX | SCREW, #6-32X.250 BHD PH/SL (STANDARD) | STEEL | ZN, CLEAR CHROMATE |
| 2 | XX | TERMINAL, TURRET | BRASS | TIN PLATE |
| 1 | 1 | SR BTS INSULATOR | POLYESTER (PBT) | BLACK |

INITIAL RELEASE
 EC NO: WNA2008-0402
 DRAWN: ENC INAS 2008/07/28
 CHKD: CYORK 2008/08/15
 APPR: JMACNEIL 2008/08/15

QUALITY SYMBOLS
 ▽=0
 ▽=0

GENERAL TOLERANCES (UNLESS SPECIFIED)

| | mm | INCH |
|----------|--------|--------|
| 4 PLACES | ± --- | ± --- |
| 3 PLACES | ± --- | ± .005 |
| 2 PLACES | ± 0.13 | ± .01 |
| 1 PLACE | ± 0.3 | ± --- |

ANGULAR ± 2 °

DRAFT WHERE APPLICABLE
 MUST REMAIN
 WITHIN DIMENSIONS

DIMENSION STYLE
MM/IN

SCALE
2:1

DESIGN UNITS
 INCH

THIRD ANGLE PROJECTION

DRAWN BY: J. ENCINAS DATE: 2008/07/22
 CHECKED BY: C. YORK DATE: 2008/07/24
 APPROVED BY: J. MACNEIL DATE: 2008/07/24

TITLE
**9.53MM [.375"] SR BTS
 ASSY, INSULATED TURRET
 TERM. NO MTG. ENDS**

MATERIAL NO.
SEE SHT. 2

DOCUMENT NO.
SD-38720-012

SHEET NO.
1 OF 2

THIS DRAWING CONTAINS INFORMATION THAT IS PROPRIETARY TO MOLEX INCORPORATED AND SHOULD NOT BE USED WITHOUT WRITTEN PERMISSION

| # OF CIRCUITS "XX" | DIM. "A" | | DIM. "B" | | ASSEMBLY MATERIAL NO. (STD OPT) | ASSEMBLY MATERIAL NO. (-49 OPT) | ASSEMBLY MATERIAL NO. (-50 OPT) |
|--------------------|----------|------|----------|-------|---------------------------------|---------------------------------|---------------------------------|
| | mm | in | mm | in | | | |
| 02 | 21.1 | 0.83 | 9.53 | 0.375 | 387203302 | 387203602 | 387203902 |
| 03 | 30.6 | 1.21 | 19.05 | 0.750 | 387203303 | 387203603 | 387203903 |
| 04 | 40.1 | 1.58 | 28.58 | 1.125 | 387203304 | 387203604 | 387203904 |
| 05 | 49.7 | 1.96 | 38.10 | 1.500 | 387203305 | 387203605 | 387203905 |
| 06 | 59.2 | 2.33 | 47.63 | 1.875 | 387203306 | 387203606 | 387203906 |
| 07 | 68.7 | 2.71 | 57.15 | 2.250 | 387203307 | 387203607 | 387203907 |
| 08 | 78.2 | 3.08 | 66.68 | 2.625 | 387203308 | 387203608 | 387203908 |
| 09 | 87.8 | 3.46 | 76.20 | 3.000 | 387203309 | 387203609 | 387203909 |
| 10 | 97.3 | 3.83 | 85.73 | 3.375 | 387203310 | 387203610 | 387203910 |
| 11 | 106.8 | 4.21 | 95.25 | 3.750 | 387203311 | 387203611 | 387203911 |
| 12 | 116.3 | 4.58 | 104.78 | 4.125 | 387203312 | 387203612 | 387203912 |
| 13 | 125.9 | 4.96 | 114.30 | 4.500 | 387203313 | 387203613 | 387203913 |
| 14 | 135.4 | 5.33 | 123.83 | 4.875 | 387203314 | 387203614 | 387203914 |
| 15 | 144.9 | 5.71 | 133.35 | 5.250 | 387203315 | 387203615 | 387203915 |
| 16 | 154.4 | 6.08 | 142.88 | 5.625 | 387203316 | 387203616 | 387203916 |
| 17 | 164.0 | 6.46 | 152.40 | 6.000 | 387203317 | 387203617 | 387203917 |
| 18 | 173.5 | 6.83 | 161.93 | 6.375 | 387203318 | 387203618 | 387203918 |
| 19 | 183.0 | 7.21 | 171.45 | 6.750 | 387203319 | 387203619 | 387203919 |
| 20 | 192.5 | 7.58 | 180.98 | 7.125 | 387203320 | 387203620 | 387203920 |
| 21 | 202.1 | 7.96 | 190.50 | 7.500 | 387203321 | 387203621 | 387203921 |
| 22 | 211.6 | 8.33 | 200.03 | 7.875 | 387203322 | 387203622 | 387203922 |
| 23 | 221.1 | 8.71 | 209.55 | 8.250 | 387203323 | 387203623 | 387203923 |
| 24 | 230.6 | 9.08 | 219.08 | 8.625 | 387203324 | 387203624 | 387203924 |
| 25 | 240.2 | 9.46 | 228.60 | 9.000 | 387203325 | 387203625 | 387203925 |
| 26 | 249.7 | 9.83 | 238.13 | 9.375 | 387203326 | 387203626 | 387203926 |

| | | | | | | |
|--|--------------------|---|--|--|--|---|
| SEE SHEET 1 EC NO: WNA2008-0402 DRWN: JENCINAS 2008/07/28 CHKD: CYORK 2008/08/15 APPR: JMAGNEIL 2008/08/15 | DESCRIPTION REV | QUALITY SYMBOLS ▽=0 ▽=0 | GENERAL TOLERANCES (UNLESS SPECIFIED) mm INCH 4 PLACES ± --- ± --- 3 PLACES ± --- ± .005 2 PLACES ± 0.13 ± .01 1 PLACE ± 0.3 ± --- ANGULAR ± 2 ° | DIMENSION STYLE MM/IN DRAWN BY DATE J. ENCINAS 2008/07/22 CHECKED BY DATE C. YORK 2008/07/24 APPROVED BY DATE J. MACNEIL 2008/07/24 | SCALE 2:1 DESIGN UNITS INCH THIRD ANGLE PROJECTION | TITLE 9.53MM [.375] SR BTS ASSY, INSULATED TURRET TERM. NO MTG. ENDS |
| | | DRAFT WHERE APPLICABLE MUST REMAIN WITHIN DIMENSIONS | MATERIAL NO. SEE CHART | DOCUMENT NO. SD-38720-012 | SHEET NO. 2 OF 2 | |
| | | THIS DRAWING CONTAINS INFORMATION THAT IS PROPRIETARY TO MOLEX INCORPORATED AND SHOULD NOT BE USED WITHOUT WRITTEN PERMISSION | | | | |
| | | MOLEX INCORPORATED | | | | |