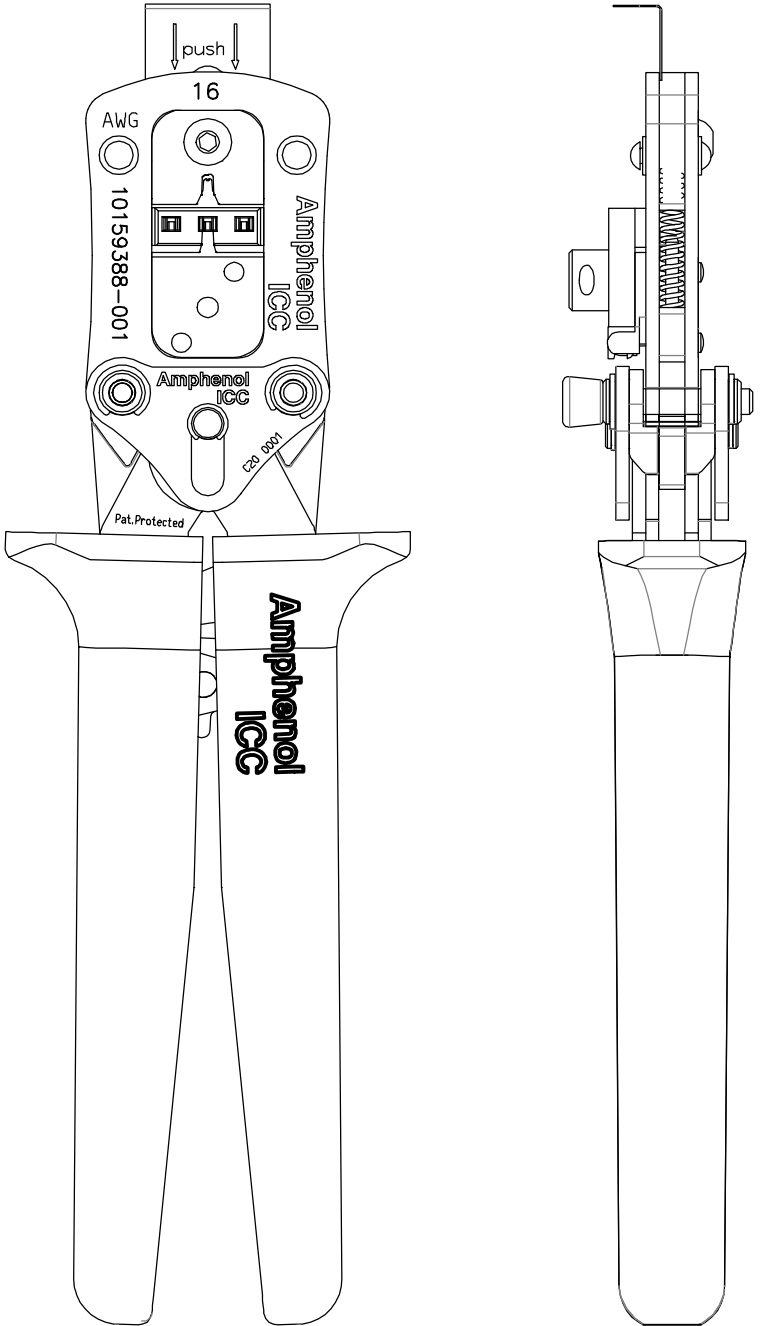


PART NUMBER
10159388-001

NOTE:
TERMINAL HAND CRIMPING TOOL
 1. AWG RANGE : 16 AWG
 2. FOR CRIMP DETAILS PLEASE REFER APPLICATION SPEC : GS-20-0410



APPLICATION RANGE:

TOOL PART NUMBER	AWG RANGE	CONTACT SERIES	CONTACT PART NUMBER	CRIMP HEIGHT WIRE	CRIMP WIDTH WIRE	CRIMP HEIGHT INSULATION	CRIMP WIDTH INSULATION
10159388-001	16	10134170 10147578	10134170-YX10LF 10147578-XX1XLF	1.25-1.35	1.80-1.90	2.74 Ref	2.71-2.91

mat'l. code		surface		tolerance		projection		product family	
		ISO 1302 ✓		ISO 406 ISO 1101		mm		MINITEK POWER	
ltr	ecn no	dr	date	tolerances unless otherwise specified		title		sheet 1 of 5	
A	-	VIPIN	2022-04-11	angles	linear	HAND CRIMPING TOOL		A3	
				0°±2'		FOR MINITEK POWER 4.2 TERMINALS		10159388	
						scale 1:1		type Product Customer Drawing	
		dr	VIPIN M.G	2022-04-11	Amphenol FCI		sheet 1 of 5		size
		enr	MITHUN PAUL	2022-04-11			10159388		A3
		chr	MITHUN PAUL	2022-04-11					
		app	SPK	2022-04-11					
sheet index	revision sheet	A	A	A	A	A			
		1	2	3	4	5			

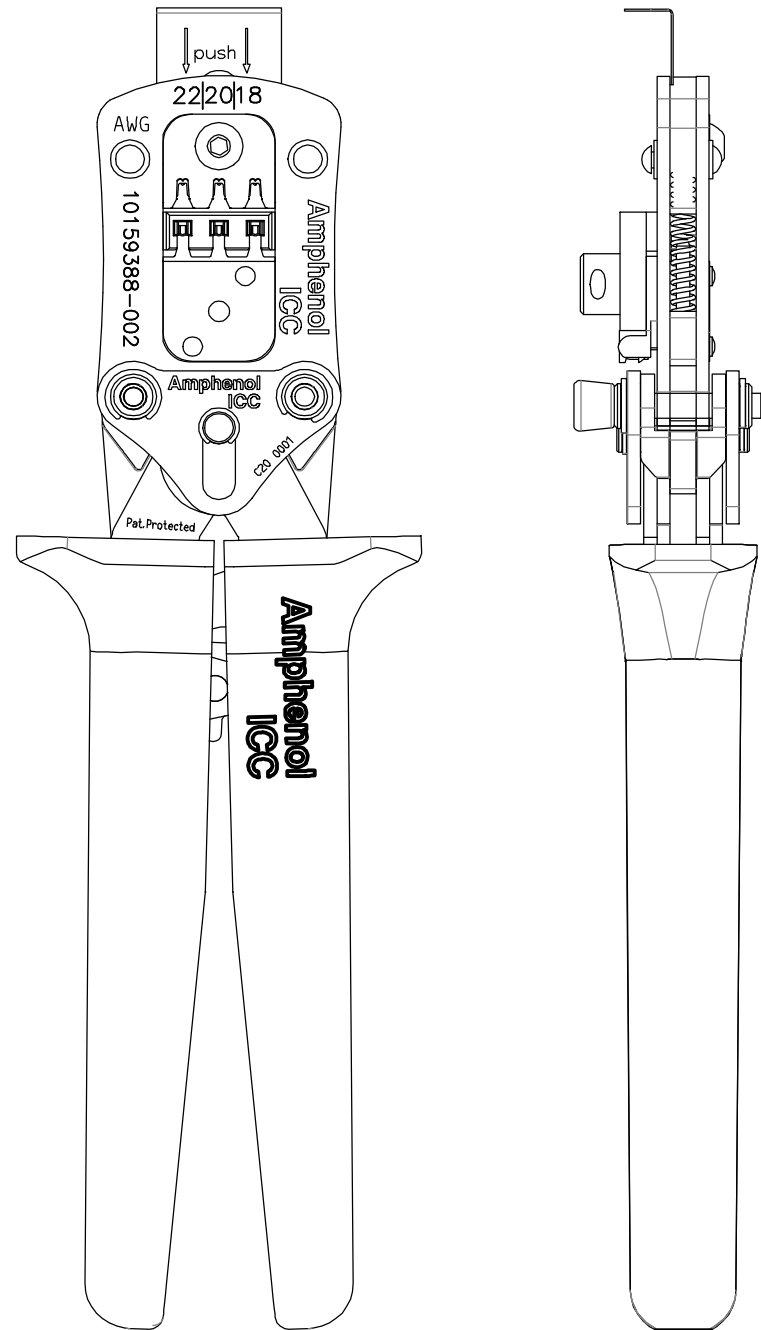
PART NUMBER

10159388-002

NOTE:

TERMINAL HAND CRIMPING TOOL

- 1. AWG RANGE : 18-22 AWG
- 2. FOR CRIMP DETAILS PLEASE REFER APPLICATION SPEC : GS-20-0410



APPLICATION RANGE:

TOOL PART NUMBER	AWG RANGE	CONTACT SERIES	CONTACT PART NUMBER	CRIMP HEIGHT WIRE	CRIMP WIDTH WIRE	CRIMP HEIGHT INSULATION	CRIMP WIDTH INSULATION
10159388-002	18	10127817	10127817-XX1XLF	1.05-1.15	1.55-1.65	3.10 REF	3.00-3.20
		10130517	10130517-1X1XLF				
	20	10136289	10136289-1X1XLF	0.95-1.05	1.55-1.65	3.02 REF	2.65-2.85
		10127818	10127818-XX1XLF				
	22	10136290	10136290-1X1XLF	0.87-0.97	1.55-1.65	2.94 REF	2.50-2.70

mat'l. code		surface		tolerance		projection		product family	
		ISO 1302 ✓		ISO 406 ISO 1101		mm		MINITEK POWER	
ltr	ecn no	dr	date	tolerances unless otherwise specified		mm		title	
				angles	linear	mm		HAND CRIMPING TOOL	
				0°±2'		scale 1:1		FOR MINITEK POWER 4.2 TERMINALS	
		dr	VIPIN M.G	2022-04-11	Amphenol FCI		dwg no		sheet 2 of 5
		enr	MITHUN PAUL	2022-04-11			10159388		A3
		chr	MITHUN PAUL	2022-04-11			type		Product Customer Drawing
		app	SPK	2022-04-11					
sheet index	revision sheet	A	A	A	A	A			
		1	2	3	4	5			

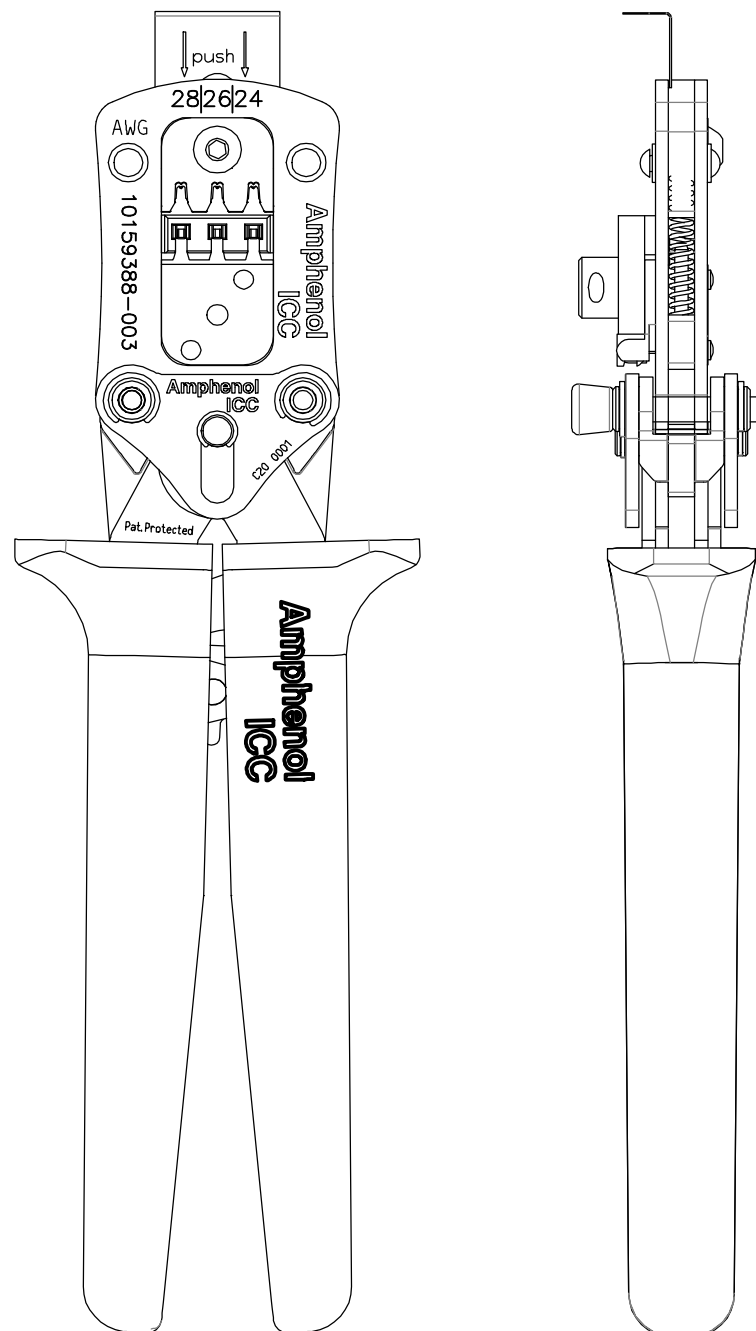
PART NUMBER

10159388-003

NOTE:

TERMINAL HAND CRIMPING TOOL

- 1. AWG RANGE : 24-28 AWG
- 2. FOR CRIMP DETAILS PLEASE REFER APPLICATION SPEC : GS-20-0410



APPLICATION RANGE:

TOOL PART NUMBER	AWG RANGE	CONTACT SERIES	CONTACT PART NUMBER	CRIMP HEIGHT WIRE	CRIMP WIDTH WIRE	CRIMP HEIGHT INSULATION	CRIMP WIDTH INSULATION
10159388-003	24	10127817 10127818	10127817-XX2XLF 10127818-XX2XLF	0.95-1.05	1.20-1.30	1.96 REF	2.40-2.60
	26			0.85-0.95	1.25-1.35	1.75 REF	2.30-2.50
	28			0.80-0.90	1.25-1.35	1.65 REF	2.25-2.45

mat'l. code		surface		tolerance		projection		product family	
		ISO 1302 ✓		ISO 406 ISO 1101		mm		MINITEK POWER	
ltr	ecn no	dr	date	tolerances unless otherwise specified		title		HAND CRIMPING TOOL	
				angles	linear	scale 1:1		FOR MINITEK POWER 4.2 TERMINALS	
				0°±2'				dwg no	
				dr	VIPIN M.G	2022-04-11	sheet 3 of 5		size
				enr	MITHUN PAUL	2022-04-11	10159388		A3
				chr	MITHUN PAUL	2022-04-11	type		Product Customer Drawing
				app	SPK	2022-04-11			
sheet index	revision sheet	A	A	A	A	A			
		1	2	3	4	5			

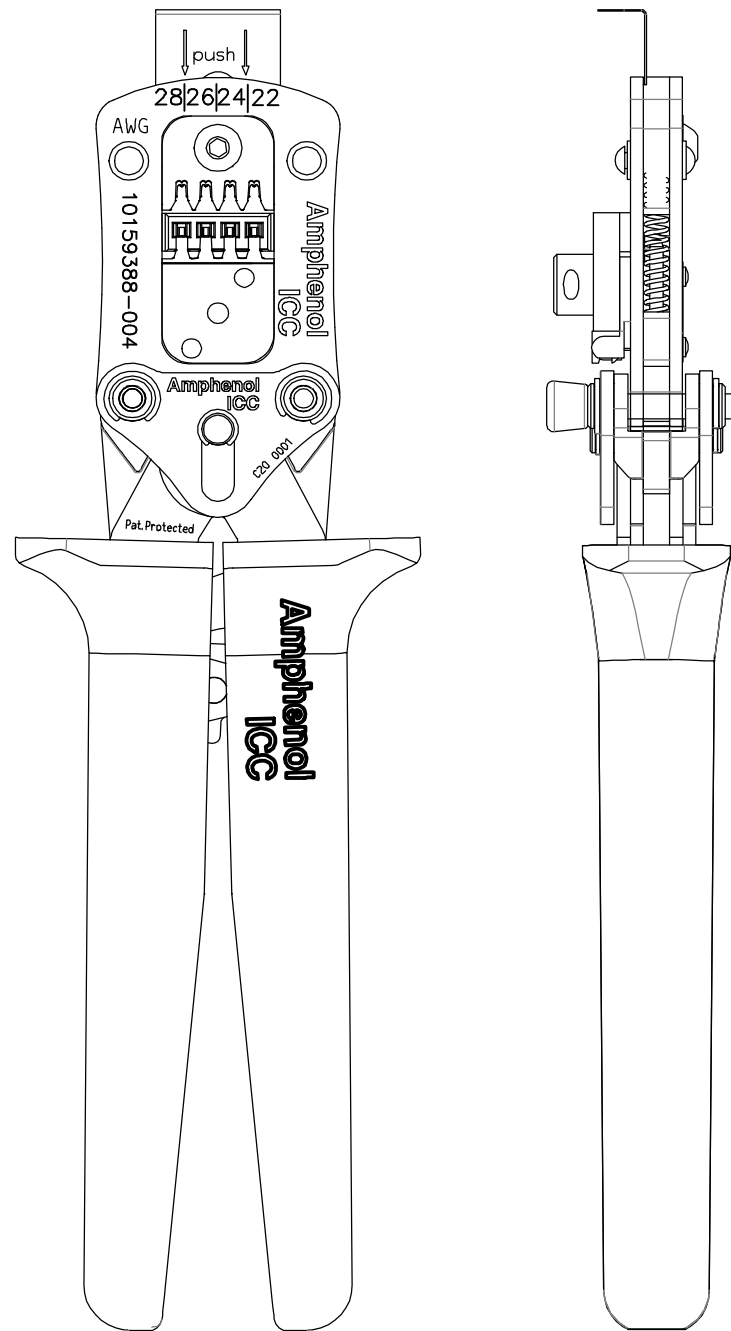
PART NUMBER

10159388-004

NOTE:

TERMINAL HAND CRIMPING TOOL

1. AWG RANGE : 24-28 AWG
2. FOR CRIMP DETAILS PLEASE REFER APPLICATION SPEC : GS-20-0410



APPLICATION RANGE:

TOOL PART NUMBER	AWG RANGE	CONTACT SERIES	CONTACT PART NUMBER	CRIMP HEIGHT WIRE	CRIMP WIDTH WIRE	CRIMP HEIGHT INSULATION	CRIMP WIDTH INSULATION
10159388-004	22	10134170	10134170-XX30LF	0.70-0.80	1.30-1.40	1.81 REF	1.90-2.10
	24			0.65-0.75	1.25-1.35	1.79 REF	1.90-2.10
	26			0.65-0.75	1.20-1.30	1.79 REF	1.85-2.05
	28			0.65-0.75	1.20-1.30	1.82 REF	1.65-1.85

mat'l. code		surface		tolerance		projection		product family	
		ISO 1302 ✓		ISO 406 ISO 1101		mm		MINITEK POWER	
ltr		ecn no		dr		date		title	
								HAND CRIMPING TOOL	
								FOR MINITEK POWER 4.2 TERMINALS	
								scale 1:1	
				dr		VIPIN M.G		2022-04-11	
				enr		MITHUN PAUL		2022-04-11	
				chr		MITHUN PAUL		2022-04-11	
				app		SPK		2022-04-11	
sheet index		revision sheet		A		A		A	
		1 2		3 4		5			
								dwg no	
								sheet 4 of 5	
								10159388	
								type	
								Product Customer Drawing	

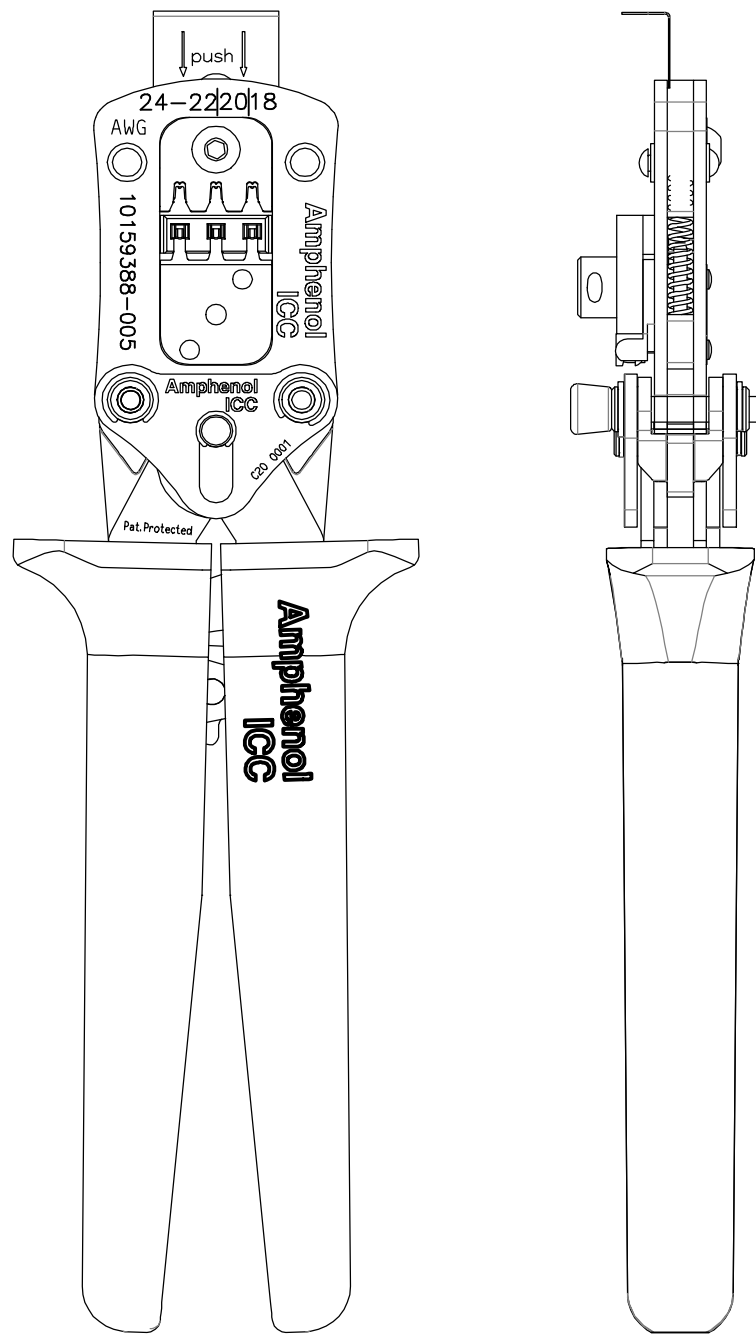
PART NUMBER

10159388-005

NOTE:

TERMINAL HAND CRIMPING TOOL

1. AWG RANGE : 18-24 AWG
2. FOR CRIMP DETAILS PLEASE REFER APPLICATION SPEC : GS-20-0410



APPLICATION RANGE:

TOOL PART NUMBER	AWG RANGE	CONTACT SERIES	CONTACT PART NUMBER	CRIMP HEIGHT WIRE	CRIMP WIDTH WIRE	CRIMP HEIGHT INSULATION	CRIMP WIDTH INSULATION
10159388-005	18	10134170 10147578	10134170-XX20LF 10147578-XX1XLF	1.05-1.15	1.60-1.70	3.14 REF	2.90-3.10
	20			0.90-1.00	1.50-1.60	3.09 REF	2.75-2.95
	22			0.90-1.00	1.30-1.40	2.89 REF	2.60-2.80
	24			0.90-1.00	1.30-1.40	2.89 REF	2.60-2.80

mat'l. code		surface ISO 1302 <input checked="" type="checkbox"/>		tolerance ISO 406 ISO 1101		projection 		product family MINITEK POWER	
ltr	ecn no	dr	date	tolerances unless otherwise specified		mm 		title HAND CRIMPING TOOL FOR MINITEK POWER 4.2 TERMINALS	
				angles	linear	.0±0.30	Amphenol FCi	dwg no 10159388	
				0°±2'		.00±0.20		sheet 5 of 5	
						.000±0.10		size A3	
sheet index		revision sheet		A A		A A A		type Product Customer Drawing	
		1	2	3	4	5			