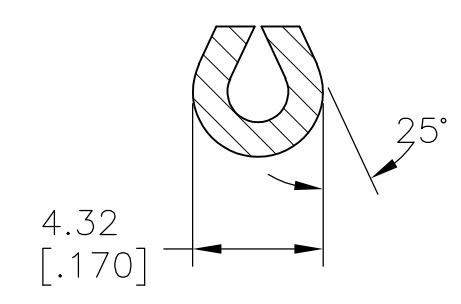
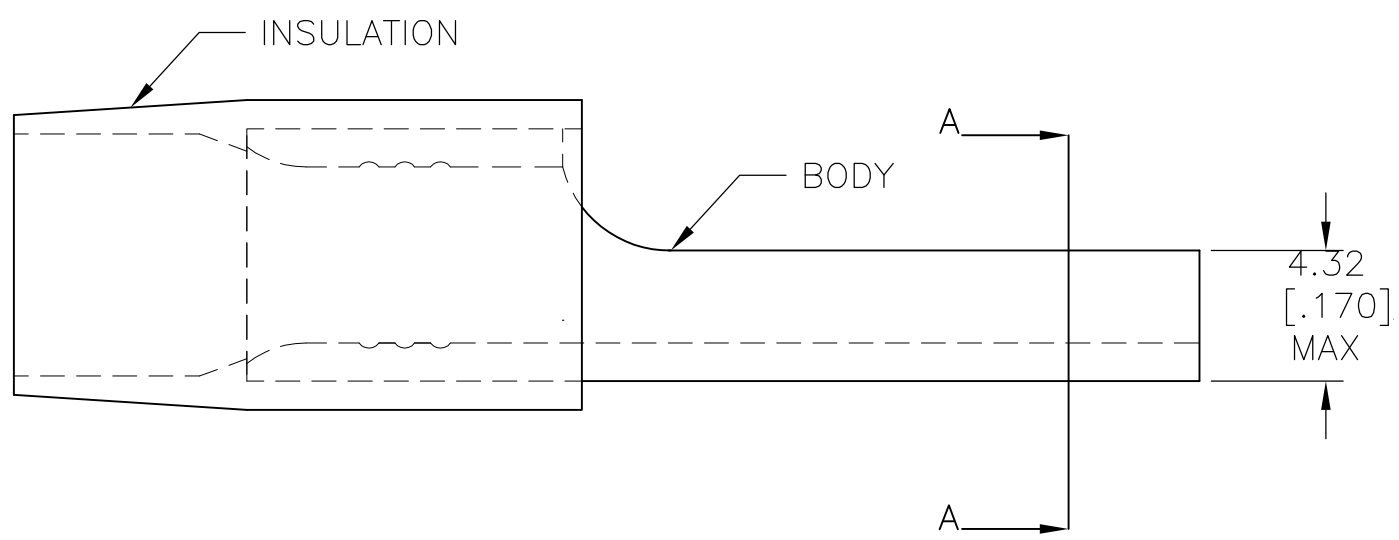


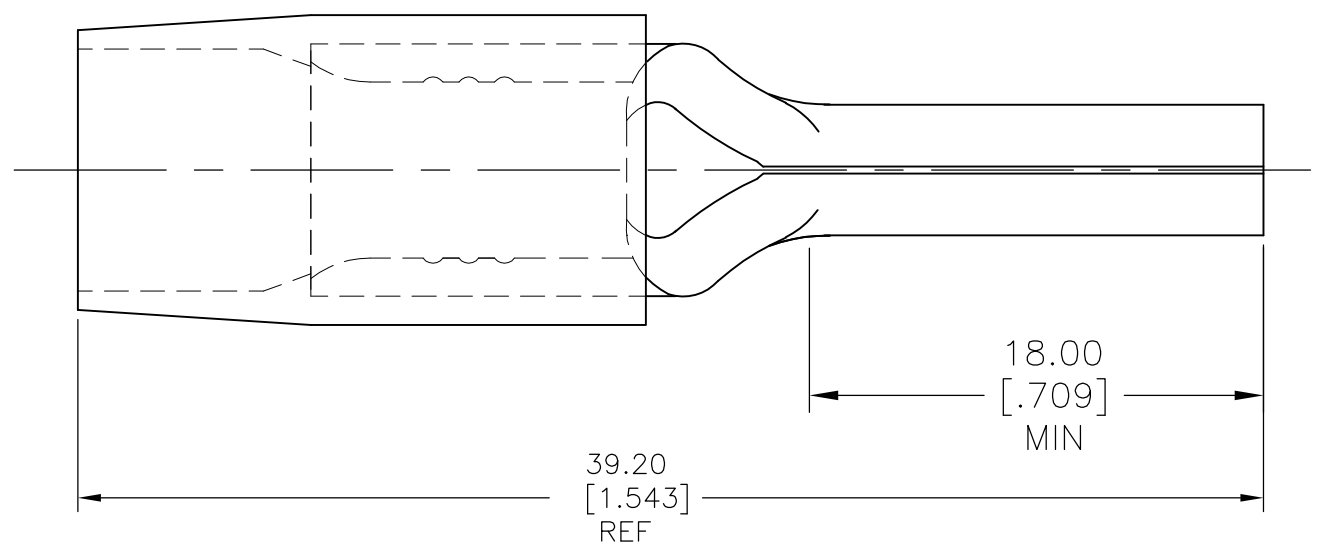
THIS DRAWING IS UNPUBLISHED. RELEASED FOR PUBLICATION
 © COPYRIGHT - By - ALL RIGHTS RESERVED.

LOC	DIST	REVISIONS			
P	LTR	DESCRIPTION	DATE	DWN	APVD
AL	2	B1	REVISED PER ECO-11-020548	13JAN12	KH DR

- 1 BODY: COPPER PER ASTM B152
INSULATION : NYLON,BLUE
- 2 TIN PLATE PER ASTM B545
- 3. FOR 8.0[.315] MAX INSULATION DIAMETER



SECTION A-A



736066
PART NO

THIS DRAWING IS A CONTROLLED DOCUMENT.		DWN KIRAN HOLAL 13JAN12	TE Connectivity			
DIMENSIONS: mm [INCHES]		CHK ROHDE DANIEL 13JAN12				
TOLERANCES UNLESS OTHERWISE SPECIFIED:		APVD ROHDE DANIEL 13JAN12	NAME			
0 PLC ± - 1 PLC ± - 2 PLC ± 0.20[.008] 3 PLC ± - 4 PLC ± - ANGLES ± 1°		PRODUCT SPEC -	TERMINAL TERMINYL WIRE PIN WIRE SIZE : 6 AWG			
MATERIAL		APPLICATION SPEC -	SIZE	CAGE CODE	DRAWING NO	RESTRICTED TO
FINISH		WEIGHT -	A3	00779	C-736066	-
1		CUSTOMER DRAWING		SCALE	SHEET	REV
2				5:1	1 OF 1	B1