

6

5

4

3

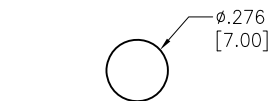
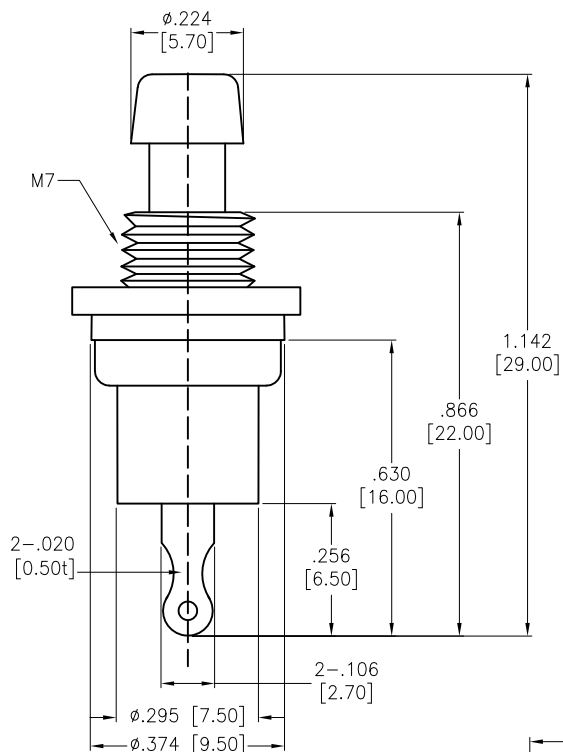
2

1

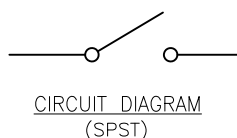
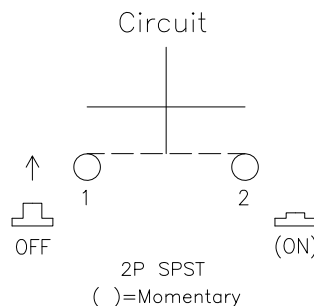
APPROVED: _____

DATE: _____ TITLE: _____

Rev	AWO #	Description	Date	Appr
-		RELEASED	11/23/20	
A		ADDED SPEC.	5/19/21	LH/RC



RECOMMENDED PANEL CUT



SW-PB1-1BS-A-PK1-X

NO.	Button Color
A	Black
B	Blue
C	Green
D	Red
E	White
F	Yellow

SPECIFICATIONS:

Material:
Housing: Brass, Nickel plated
Bottom: PBT
Button: POM
Contact: Brass, Silver plated
Spring: Spring steel wire
Electrical:
Rating: 0.5A, 250VAC
Contact resistance: 50 mΩ max

Insulation resistance: 100 Mohms min (500VDC)
Dielectric withstanding voltage: 1500 VAC for 1 minute
Electrical life: 10,000 Cycles min
Temperature Rating:
Operating temperature: -25°C to +85°C
Environmental:
Lead free, RoHS compliant



UNLESS OTHERWISE SPECIFIED ALL DIMENSIONS ARE INCHES [MM]. TOLERANCES: EXCEPT AS NOTED

INCHES	HOLES
.x ± .10	Øx ± .10
.xx ± .020	Øxx ± .015
.xxx ± .015	Øxxx ± .010

DRAWN	OW	11/23/20
CHECKED	AC	11/23/20
APPROVED		

THIS DRAWING CONTAINS INFORMATION THAT IS PROPRIETARY AND SHOULD NOT BE USED WITHOUT PRIOR WRITTEN PERMISSION FROM ADAM TECH



909 Rahway Avenue,
Union, NJ 07083
Phone: 908-687-5000
Fax: 908-687-5710

TITLE SWITCH, PLASTIC PUSH BUTTON, SPST OFF-MOMENTRAY, SOLDER TYPE

SIZE X	PART NO. SW-PB1-1BS-A-PK1-X	REV. -
REF: 800204C	SCALE: NTS	SHEET 1 OF 1

6

5

4

3

2

1