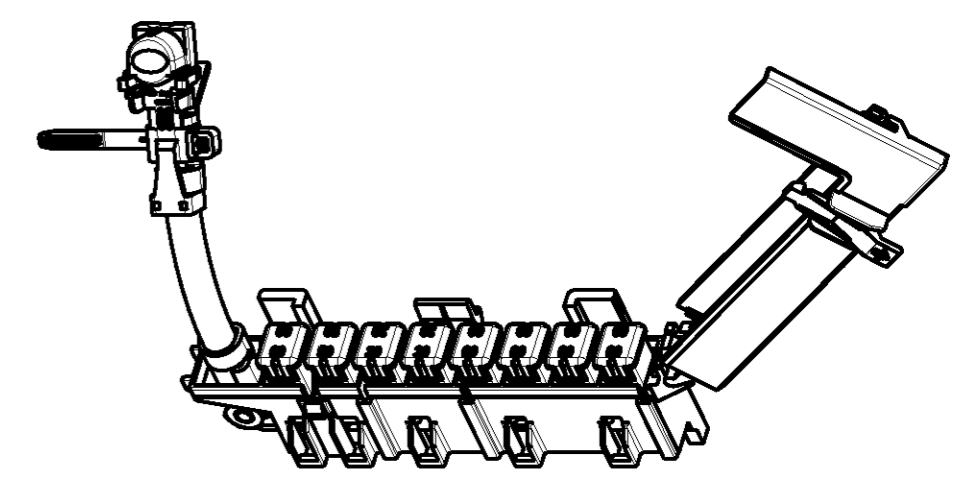
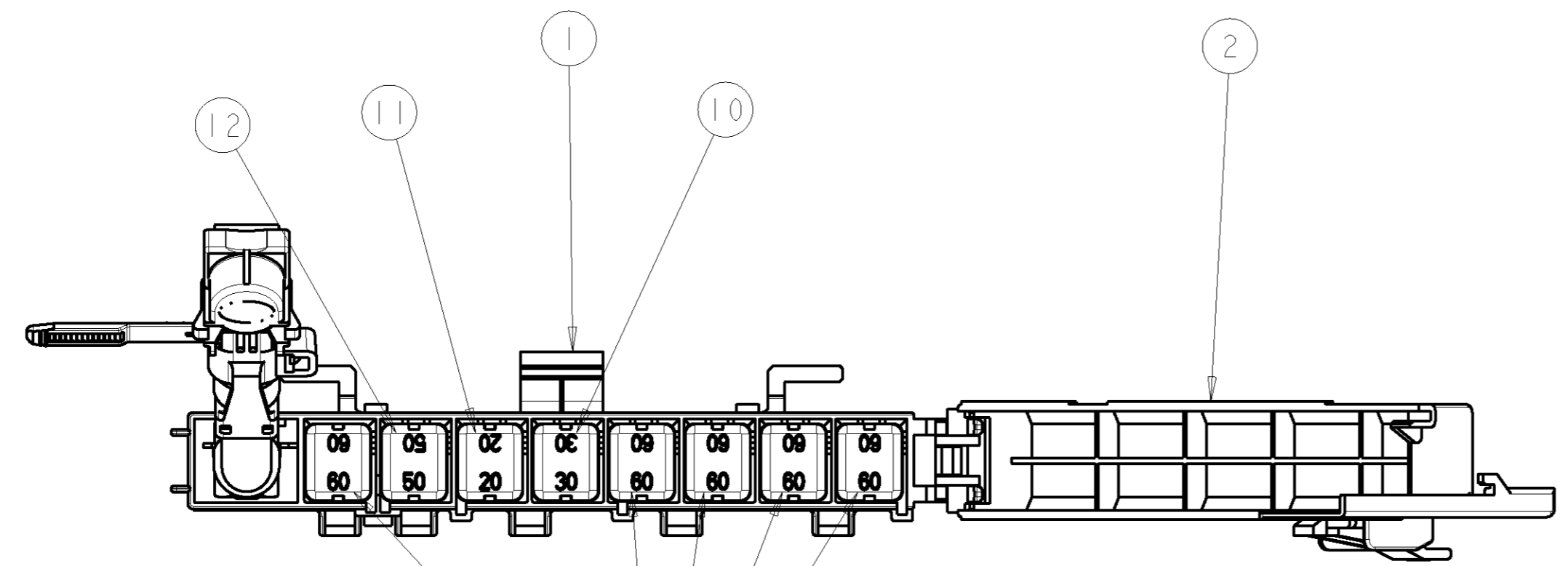
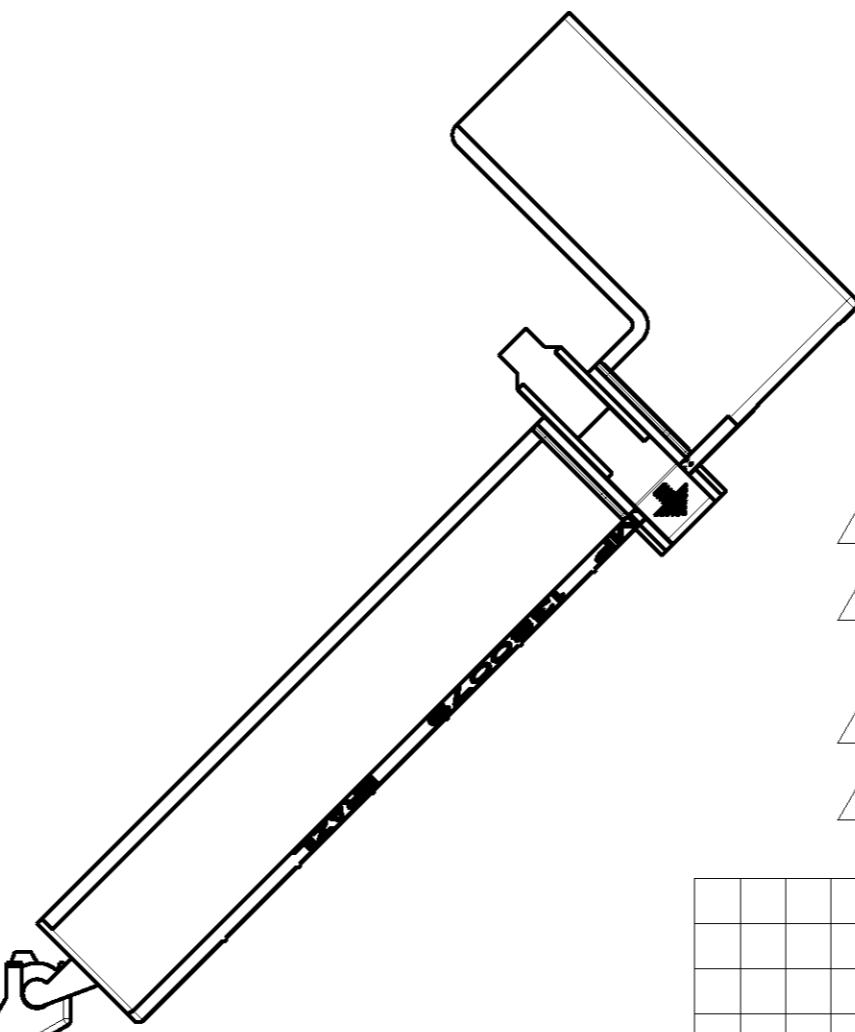
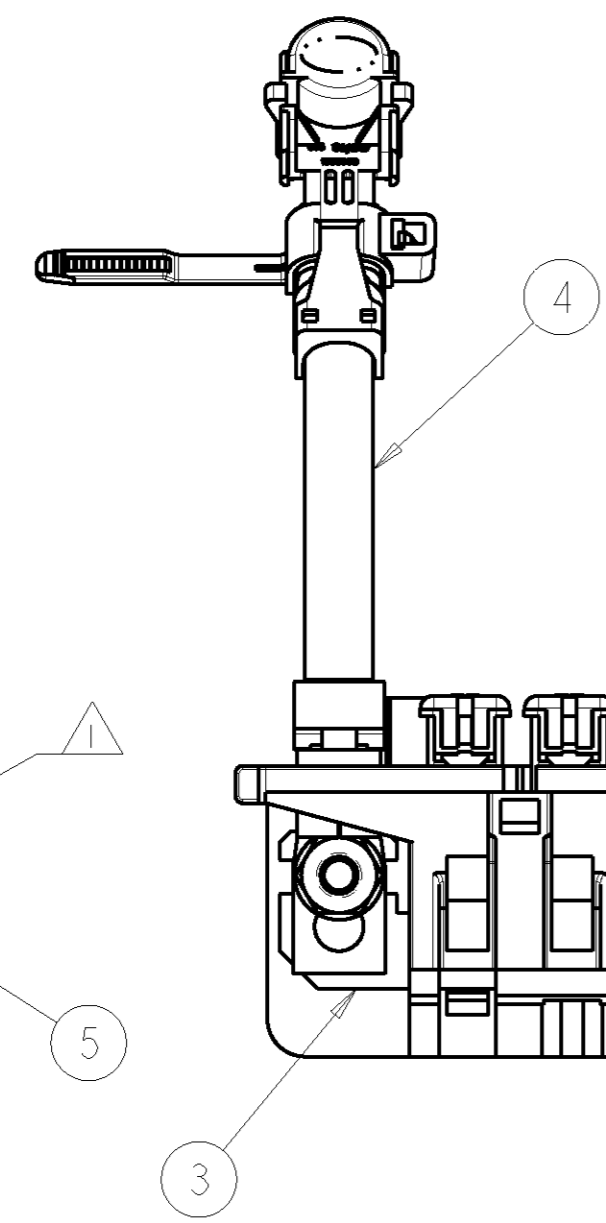
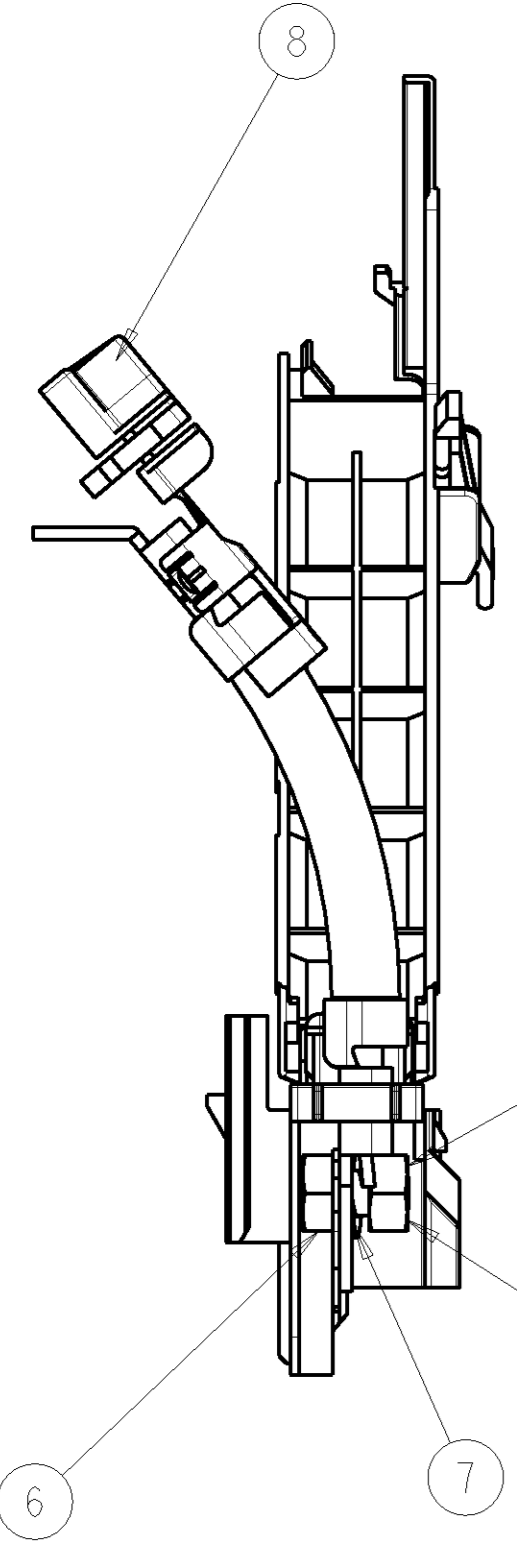
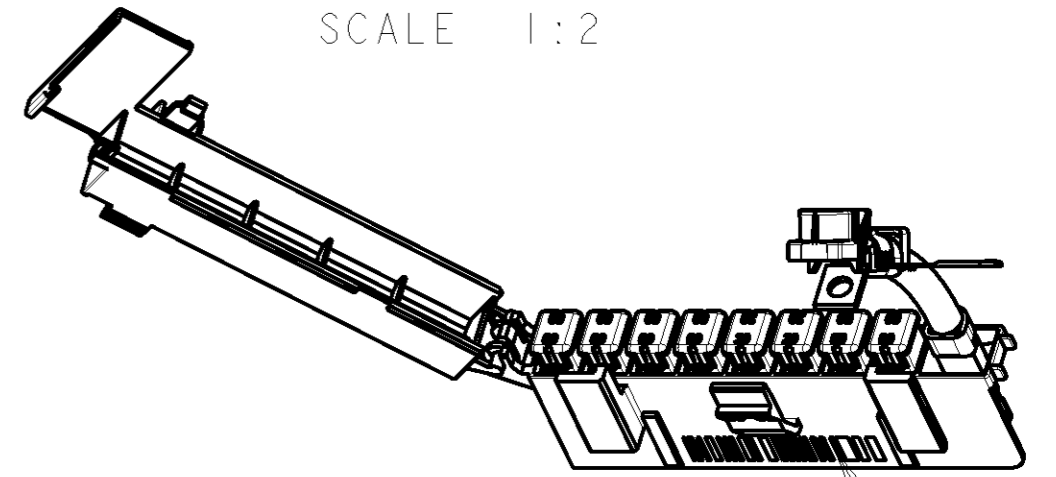


THIS DRAWING IS UNPUBLISHED. RELEASED FOR PUBLICATION 20  
 © COPYRIGHT 20 BY TYCO ELECTRONICS CORPORATION. ALL RIGHTS RESERVED.

LOC	DIST	REVISIONS			
P	LTR	DESCRIPTION	DATE	DWN	APVD
AP	-	0	RELEASED	01SET2006	RKTL PLF
		A	REVISED BY ECO-07-026286	07NOV2007	RKTL MG



PERSPECTIVE VIEW  
SCALE 1:2



- △ 1 - TORQUE NA PORCA DE RETENÇÃO : 5,0 - 7,0 Nm.
- △ 1 - ASSY TORQUE ON RETENTION NUT: 5,0 - 7,0 Nm.
- △ 2 - ETIQUETA DE IDENTIFICAÇÃO.
- △ 2 - IDENTIFICATION LABEL.

QTY	ITEM	DESCRIPTION	MATERIAL	FINISH
1	12	JCASE MAXI FUSE 50A	—	VERMELHO / RED
1	11	JCASE MAXI FUSE 20A	—	AZUL / BLUE
1	10	JCASE MAXI FUSE 30A	—	ROSA / PINK
5	9	JCASE MAXI FUSE 60A	—	YELLOW / AMARELO
1	8	COVER EYELET	PA 6.6	VERMELHO / RED
1	7	WASHER SPRING LOCK M6	SPRING STEEL	ZINC PLATE TRIVALENT CHROMIUM
1	6	NUT M6	CARBON STEEL	ZINC PLATE TRIVALENT CHROMIUM
1	5	SCREW M6 x 10	CARBON STEEL	ZINC PLATE TRIVALENT CHROMIUM
1	4	LEAD ASSY #20mm2	—	—
1	3	BUSBAR 8POSN.	COOPER ALLOY	—
1	2	COVER 8POSN.	PP	PRETO / BLACK
1	1	FRAME 8POSN.	PBT	PRETO / BLACK

GRAVAÇÕES MARKINGS	
LOGOTIPO TE	TE LOGO
CÓDIGO PAÍS PRODUTOR	MANUFACTURER COUNTRY CODE
NOMENCLATURA MATERIAL	MATERIAL NOMENCLATURE
NÚMERO COMPONENTE TE	TE COMPONENT NUMBER
NÚMERO CAVIDADE	CAVITY NUMBER
IDENTIFICAÇÃO CIRCUITO	CIRCUIT IDENTIFICATION
LOGOTIPO CLIENTE	CUSTOMER LOGO
PAÍS PRODUTOR	MANUFACTURER COUNTRY
REV+ LETRA REV.DA PEÇA	REV.+ PART REV.LETTER

REQ. PER ASSY	ITEM	DESCRIPTION	MATERIAL	FINISH
1599680				

DIMENSIONS: mm 		TOLERANCES UNLESS OTHERWISE SPECIFIED: 0 PLC ± 1 PLC ±0.3 2 PLC ± 3 PLC ± 4 PLC ± ANGLES ± FINISH	
SEE TABLE		SEE TABLE	

DWN M.L. OGAWA 10 JUN 2005 CHK P.L. FARIA 10 JUN 2005 APVD D.A. OLIVEIRA 10 JUN 2005	Tyco Electronics Tyco Electronics Brasil LTDA Sao Paulo Brasil
PRODUCT SPEC - APPLICATION SPEC - WEIGHT -	NAME JCASE ASSY MAXI FUSE BOX SIZE A200779 CAGE CODE C-1599680 DRAWING NO C-1599680
RESTRICTED TO - SCALE 1:1 SHEET OF 1 REV A	