

THIS DRAWING IS UNPUBLISHED.

RELEASED FOR PUBLICATION JULY ,2006.

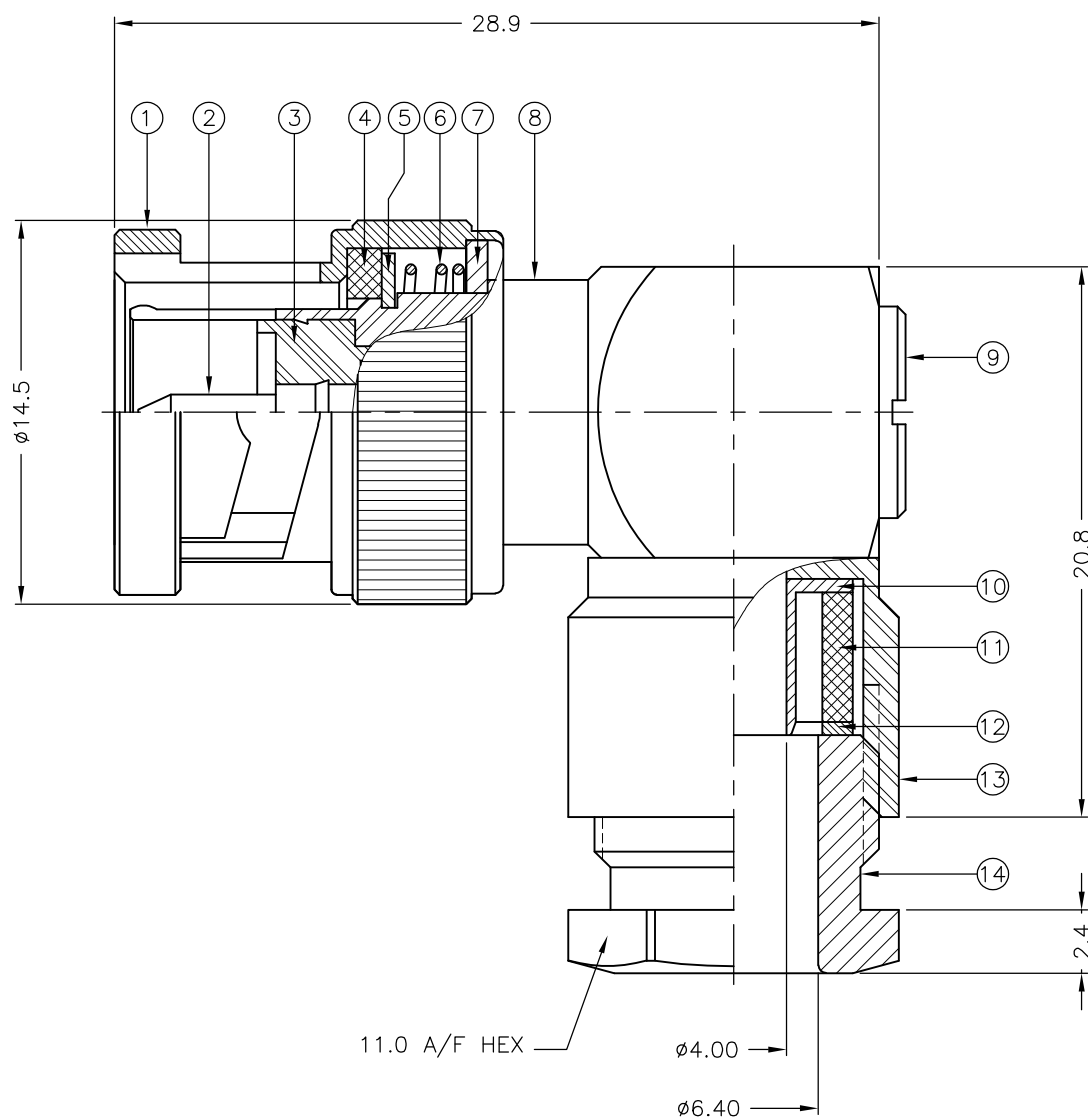
© COPYRIGHT 2006 By -

ALL RIGHTS RESERVED.

LOC	DIST	REVISIONS					
E	B	P	LTR	DESCRIPTION	DATE	DWN	APVD
		C		ECO-14-016501	30DEC2014	RZ	MY

NOTES:

- ① SINGLE PACKING: ONE CONNECTOR PER LABELED BAG PACKAGED. LABELED PER TEC-107-115
- ② TRAY PACKAGED
- ③ Ag PLATING
- ④ Ni PLATING
- ⑤ PASSIVATION
- ⑥ THIS ITEM MUST BE WHITE
- 7 ELECTRICAL CHARACTERISTICS
 FREQUENCY RANGE: DC - 2 GHz
 NOMINAL IMPEDANCE: 75 Ohm
 INSULATION RESISTANCE: 5000 MOhm
 WORKING VOLTAGE: 500 Volts RMS at Sea Level
 DIELECTRIC WITHSTAND VOLTAGE: 1500 Volts RMS Max
 CONTACT RESISTANCE:
 CENTER CONTACT: 1.50 mOhm Max
 OUTER CONTACT: 1.00 mOhm Max
 VSWR @ 1GHz: 1.35 Max
 INSERTION LOSS dB @ x 1GHz: 0.30 Max
- 8 MECHANICAL CHARACTERISTICS
 COUPLING RETENTION FORCE: 266 N Min
 CABLE RETENTION FORCE: 170 N Min
 CLAMP NUT RECOMMENDED TORQUE: 4 Nm
 DURABILITY: 500 Cycles Min
- 9 ENVIRONMENTAL CHARACTERISTICS
 OPERATING TEMPERATURE: -65 to +165 DegC
- 10 FOR TECHNICAL DATA REFER TO YOUR LOCAL
 TE CONNECTIVITY SALES OFFICE
- 11 ALL DIMENSIONS ARE NOMINAL FOR REFERENCE ONLY
 UNLESS OTHERWISE STATED



QTY	QTY	MATERIAL	ITEM	DESCRIPTION	ITEM
1	1	BRASS	③	CLAMP NUT	14
1	1	BRASS	③	BODY II	13
1	1	BRASS	③	WAHSER	12
1	1	SILICON RUBBER	⑥	GASKET	11
1	1	BRASS	③	FERRULE	10
1	1	BRASS	③	CAP	9
1	1	BRASS	③	BODY I	8
1	1	BRASS	③	WASHER	7
1	1	STAINLESS STEEL	⑤	SPRING	6
1	1	PHOSPHOR BRONZE	④	RETAINING RING	5
1	1	SILICON RUBBER	⑥	GASKET	4
1	1	PTFE		INSULATION	3
1	1	BRASS	③	CONTACT	2
1	1	BRASS	③	SHELL	1
6--0	1--0	MATERIAL		DESCRIPTION	ITEM
③	③				
QUANTITY PER ASSY		PARTS LIST			

THIS DRAWING IS A CONTROLLED DOCUMENT.		DWN	J.SANDWELL	03JUL06	STE TE Connectivity
		CHK	S.PARLOW	03JUL06	
		APVD	F.WHEELER-KING	03JUL06	
		PRODUCT SPEC			
DIMENSIONS: mm		TOLERANCES UNLESS OTHERWISE SPECIFIED:		NAME	
		0 PLC	± -	BNC ELBOW PLUG SOLDER 75 OHM RG59B/U, 62A/U, 140/U, 210/U, URM90, KX6A, KX25, KX52, KX53	
		1 PLC	± 0.5		
		2 PLC	± 0.1		
		3 PLC	± -		
MATERIAL		4 PLC	± -	SIZE	CAGE CODE
SEE TABLE		ANGLES	± -	411-3266	00779
		FINISH	-	DRAWING NO	C-1478129
				RESTRICTED TO	-
				CUSTOMER DRAWING	SCALE NTS
				SHEET	1 OF 1
				REV	C