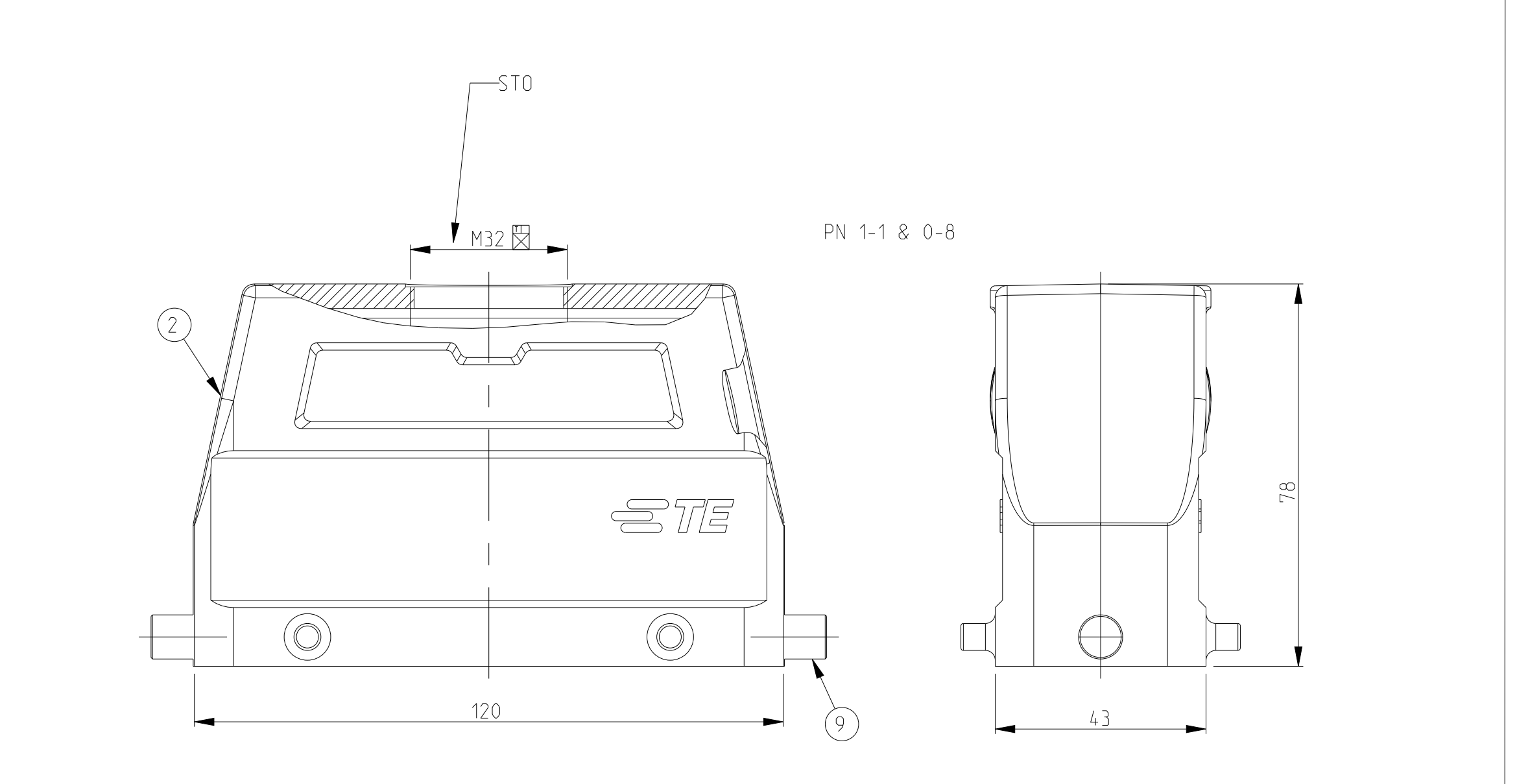
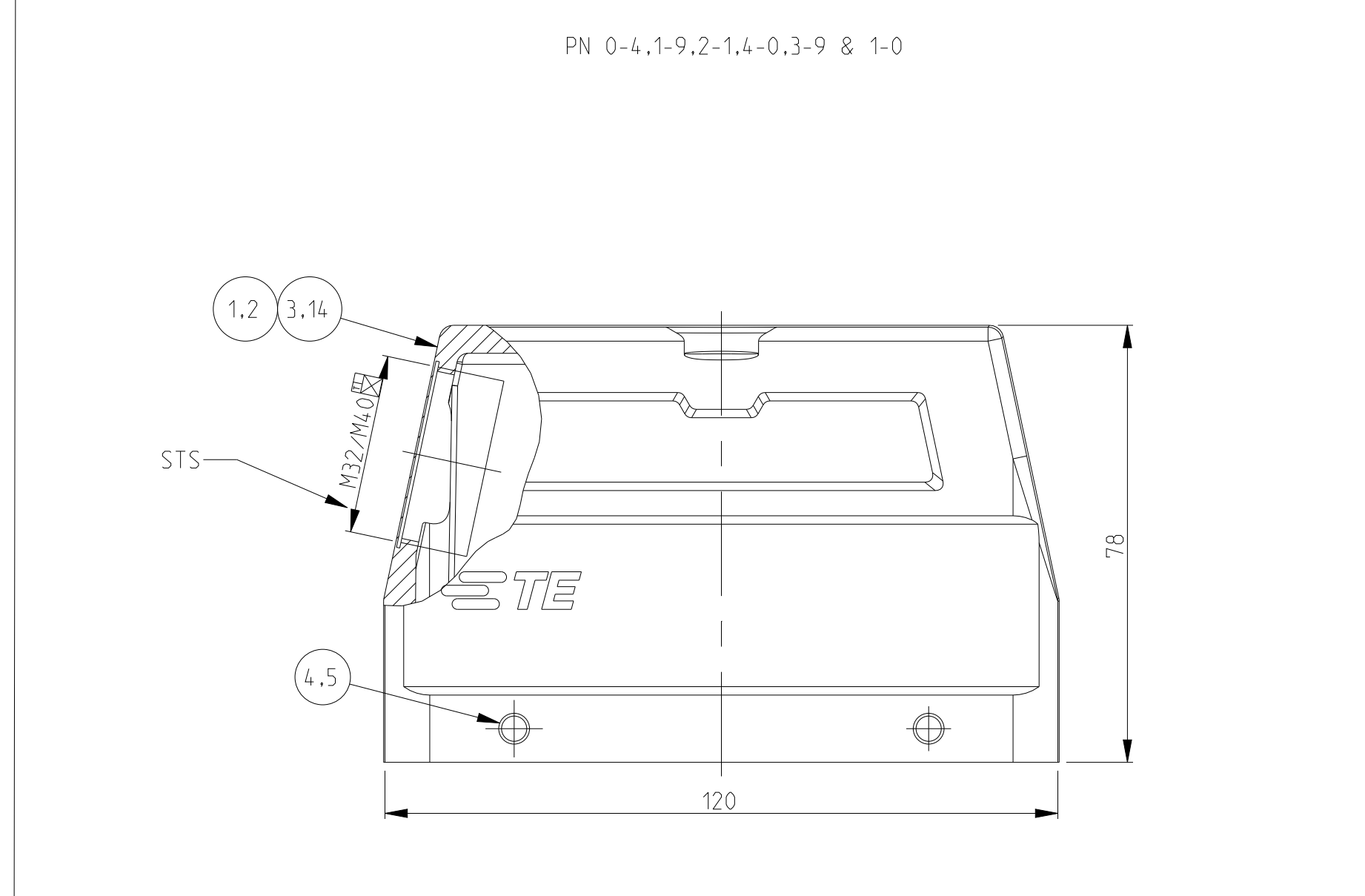
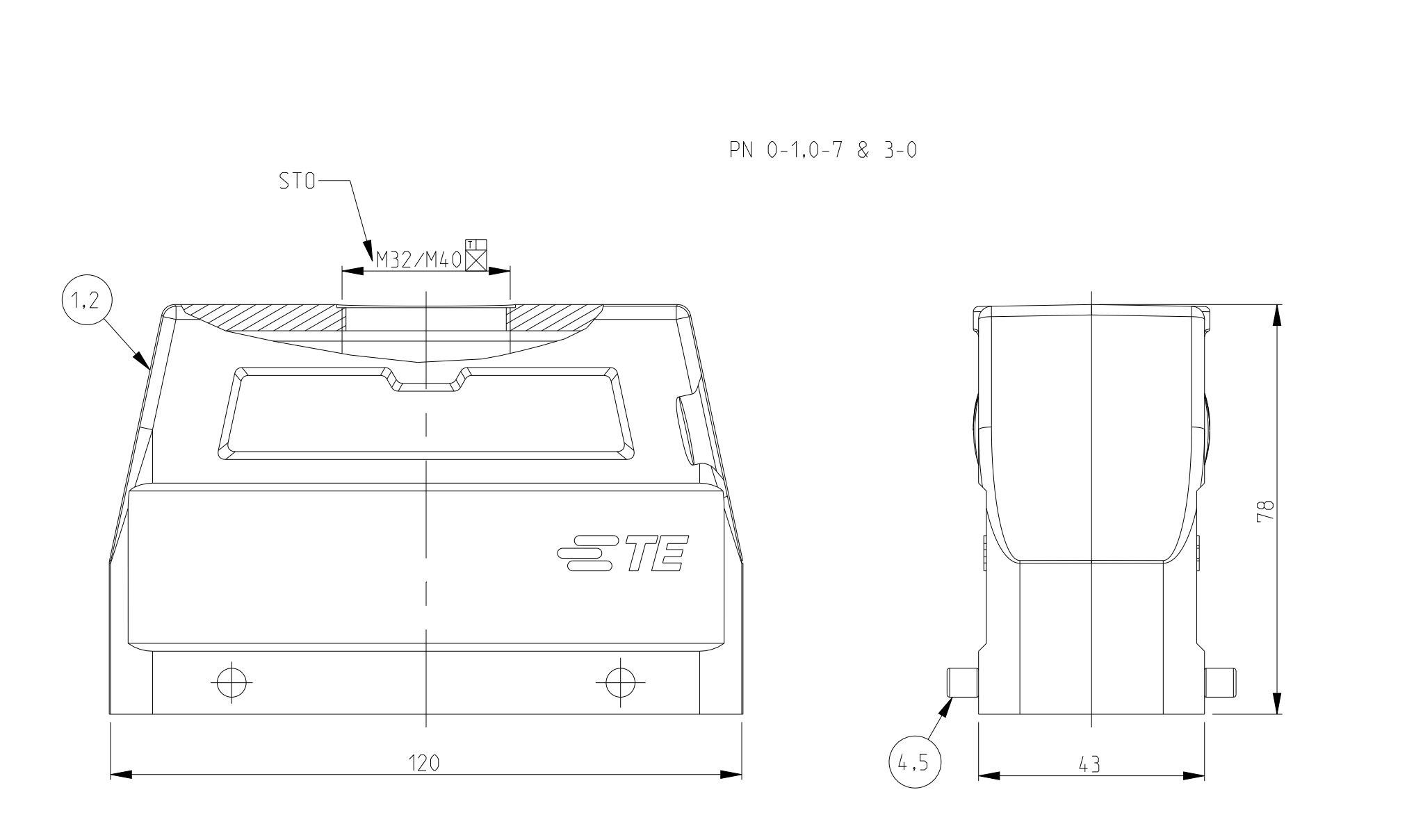
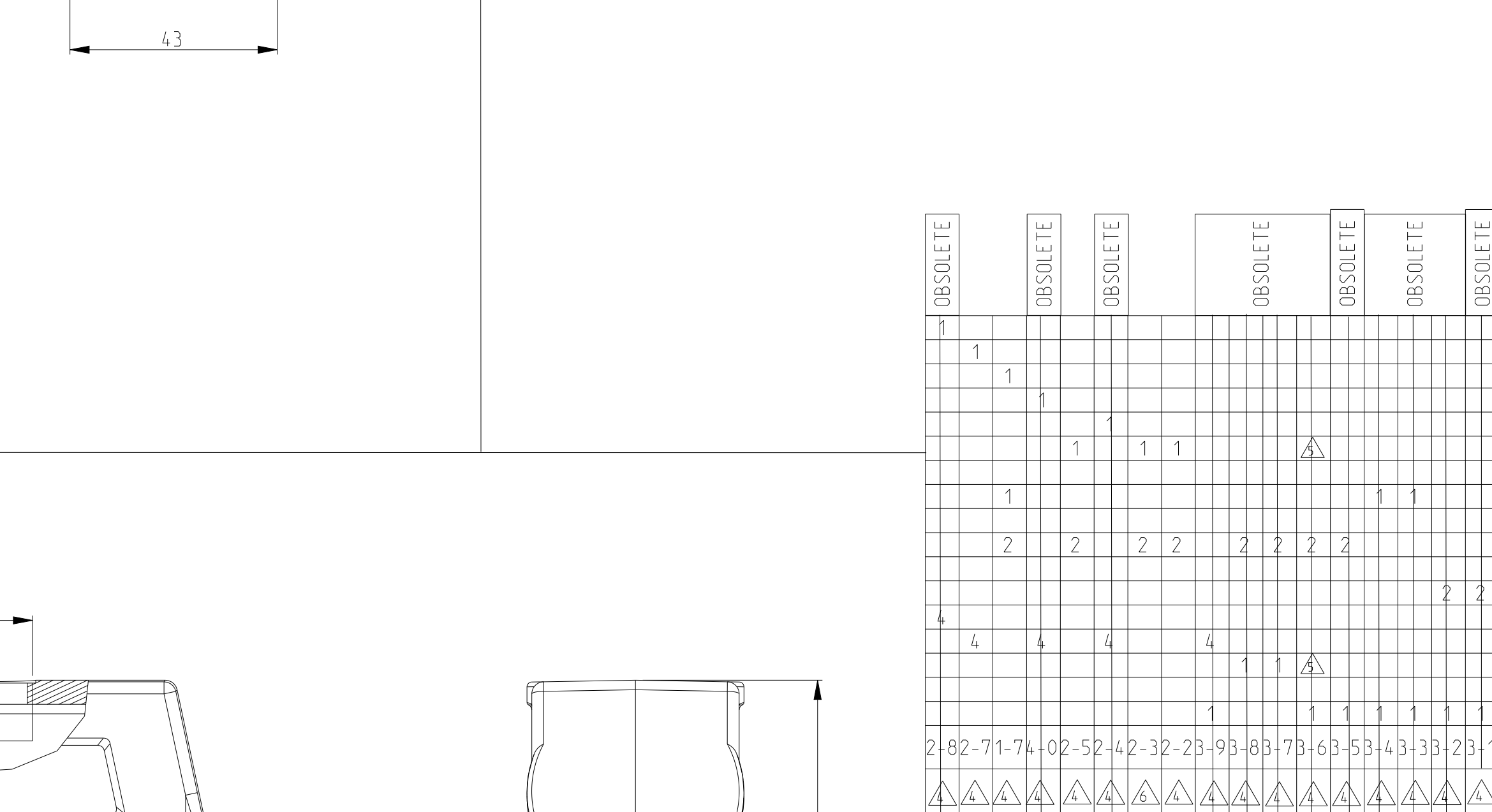
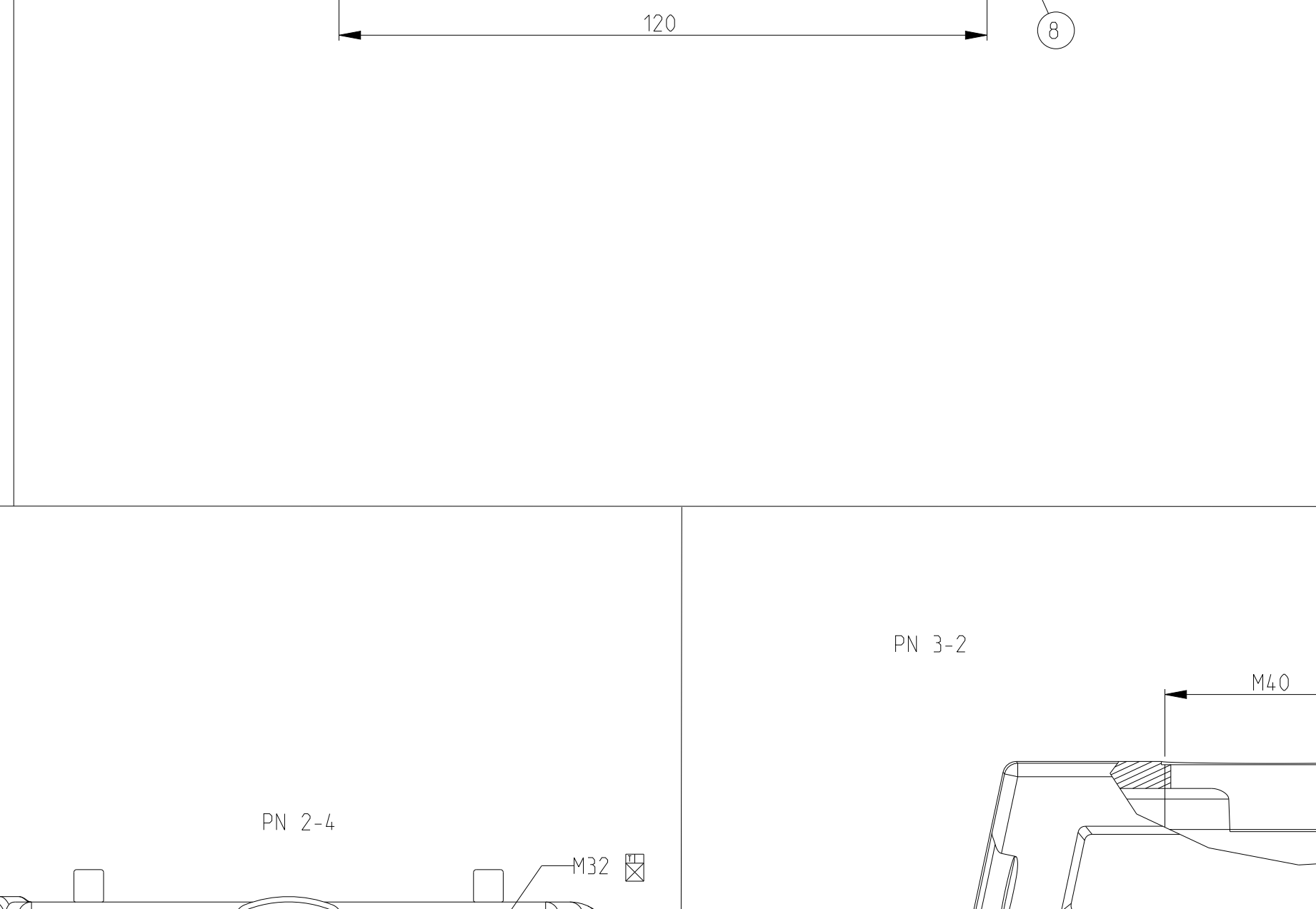
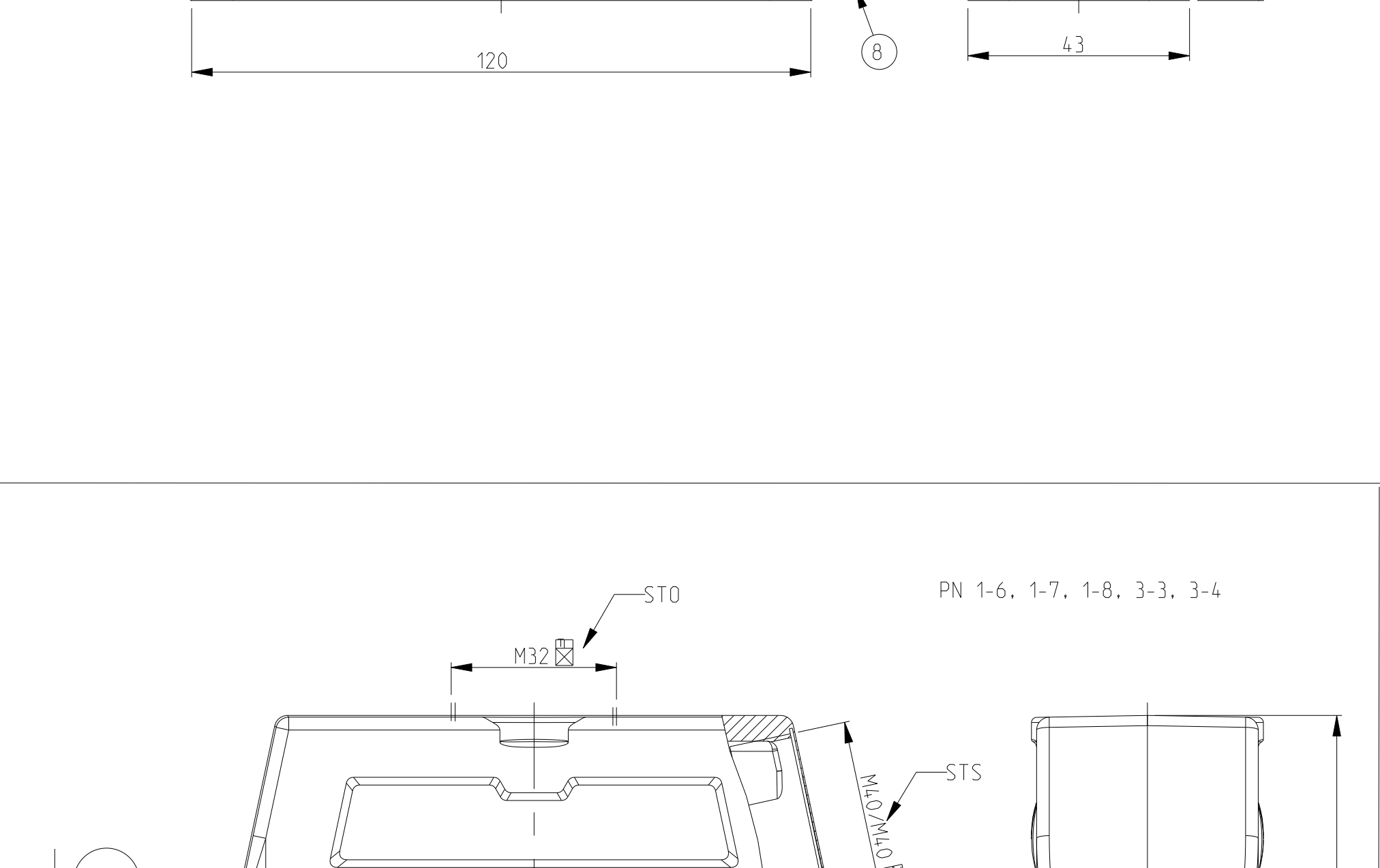
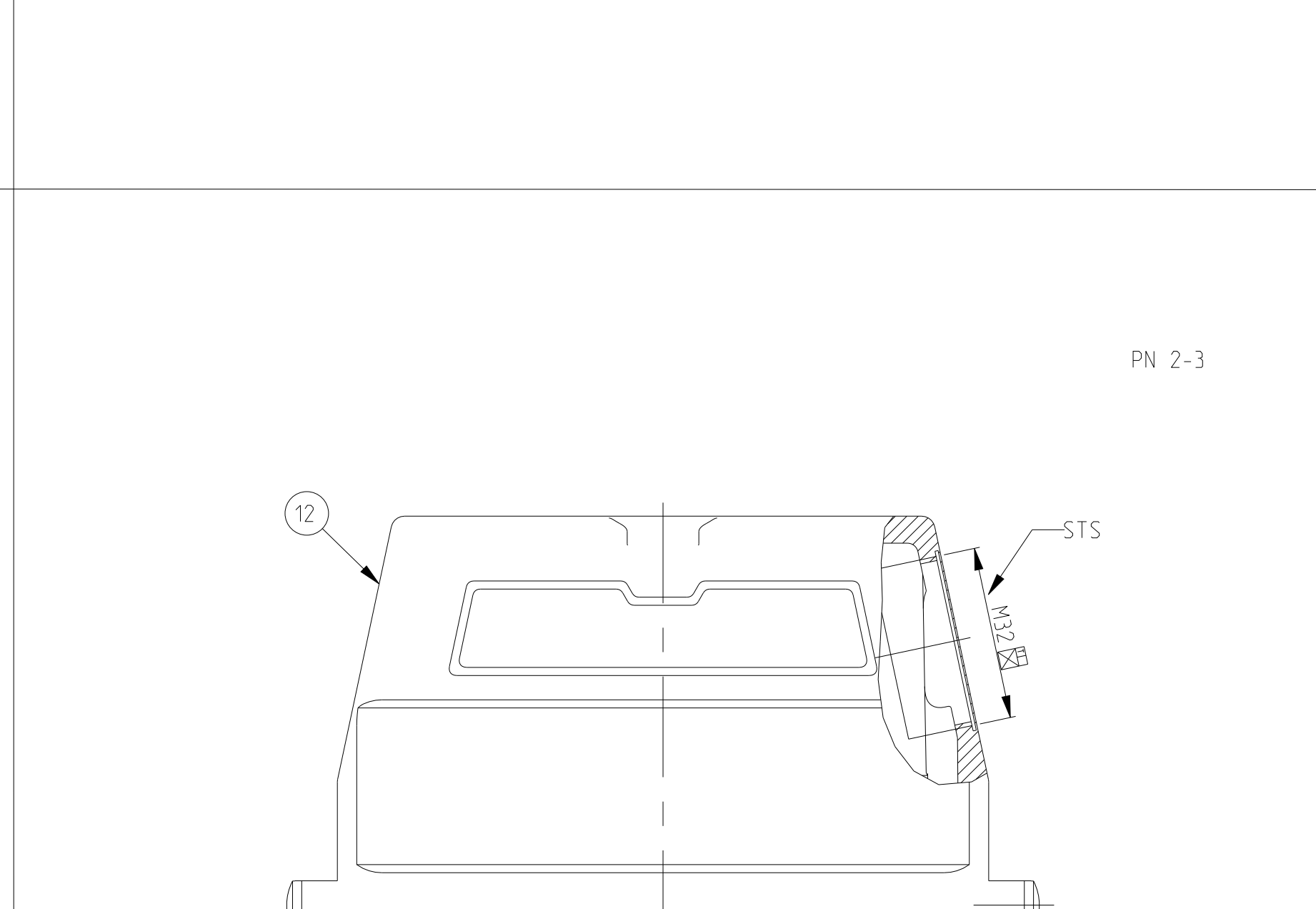
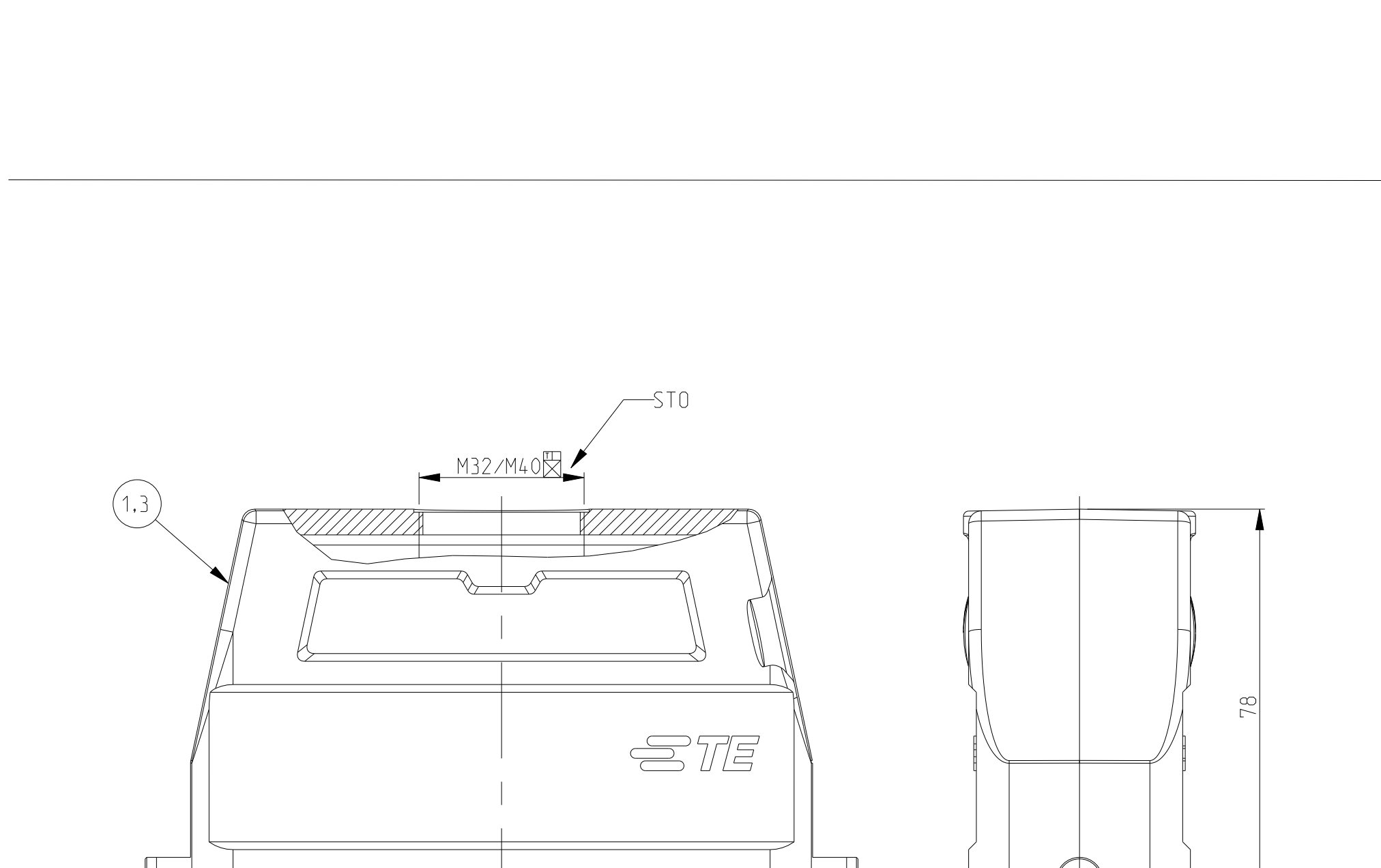
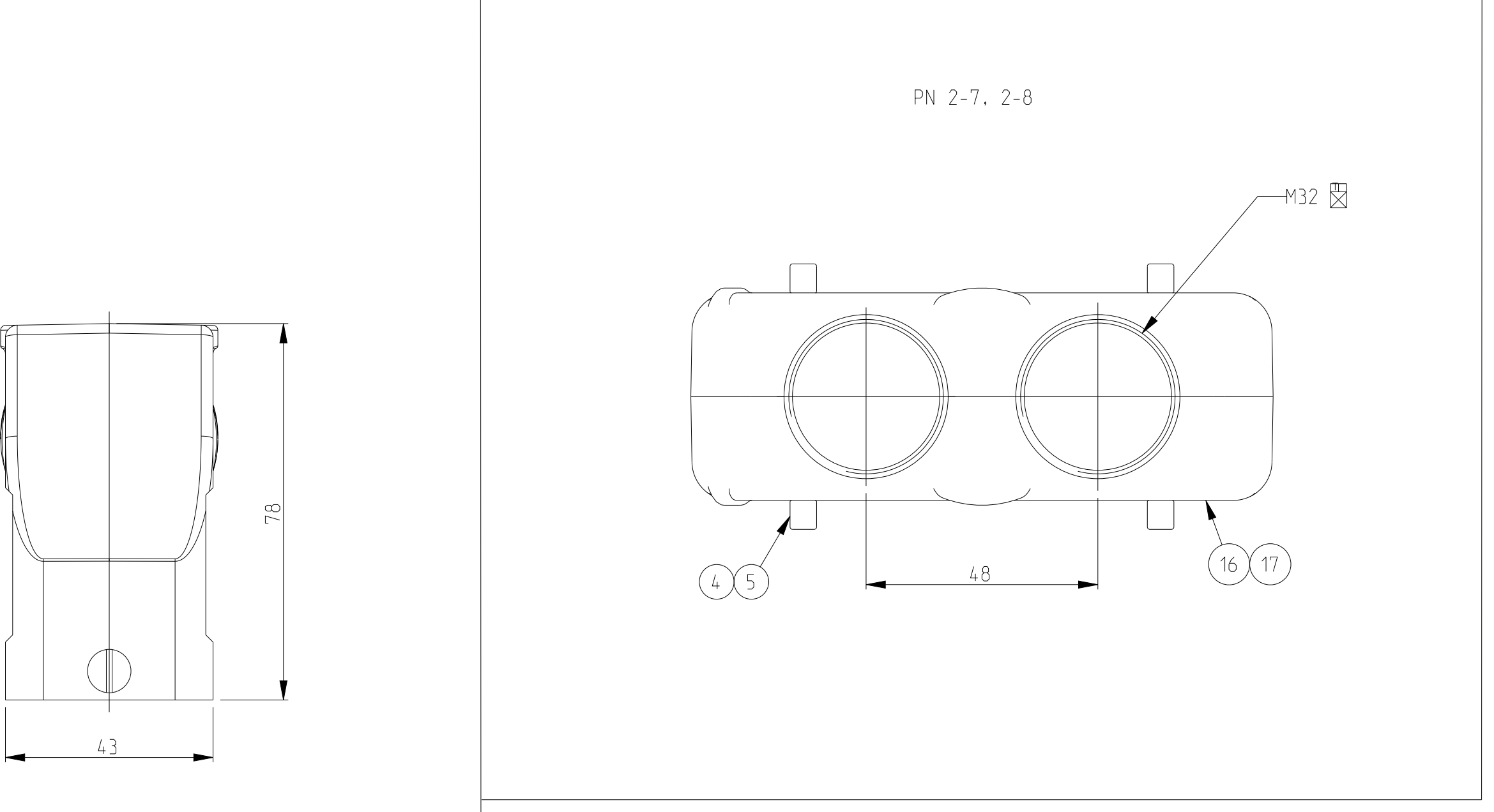
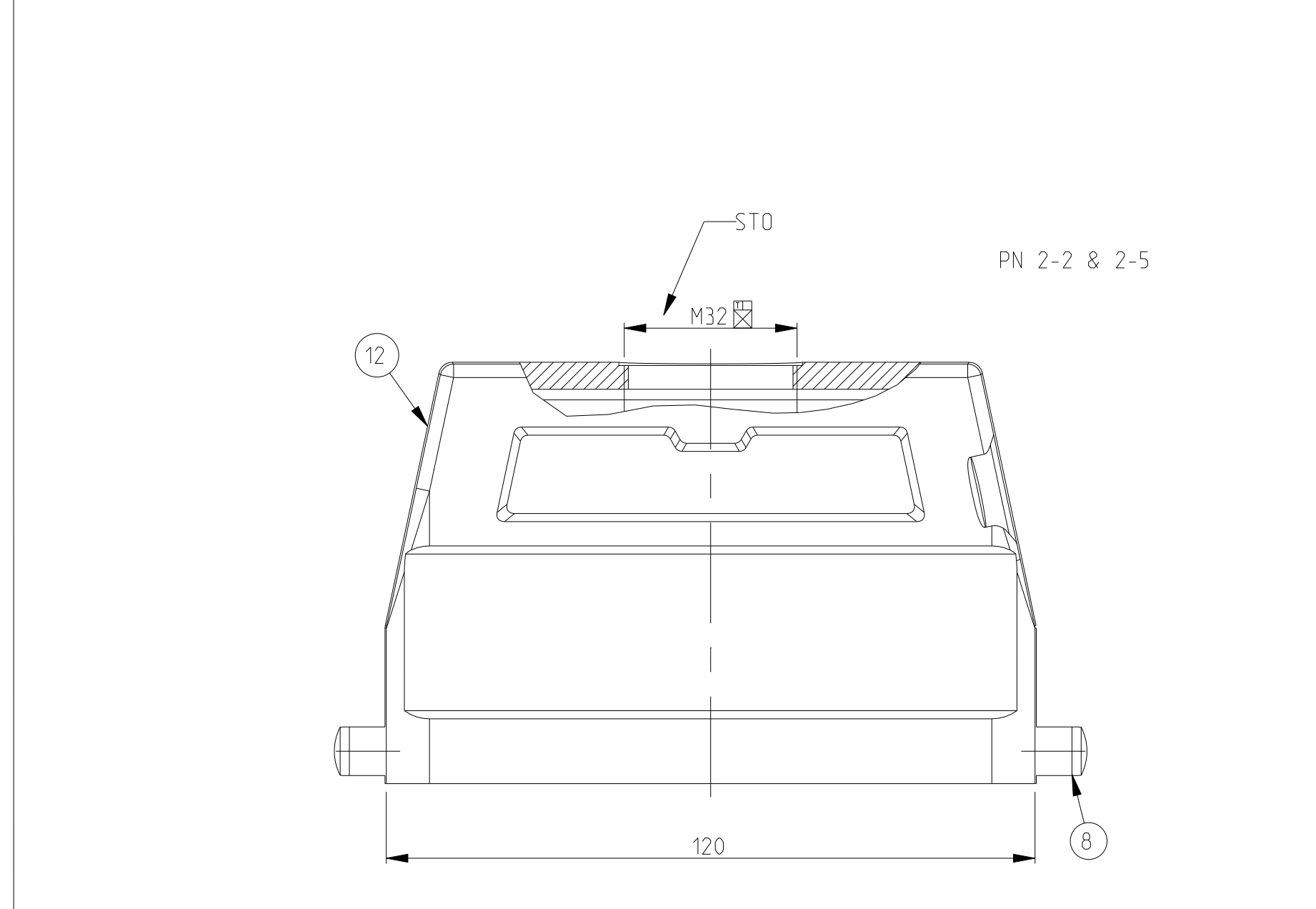
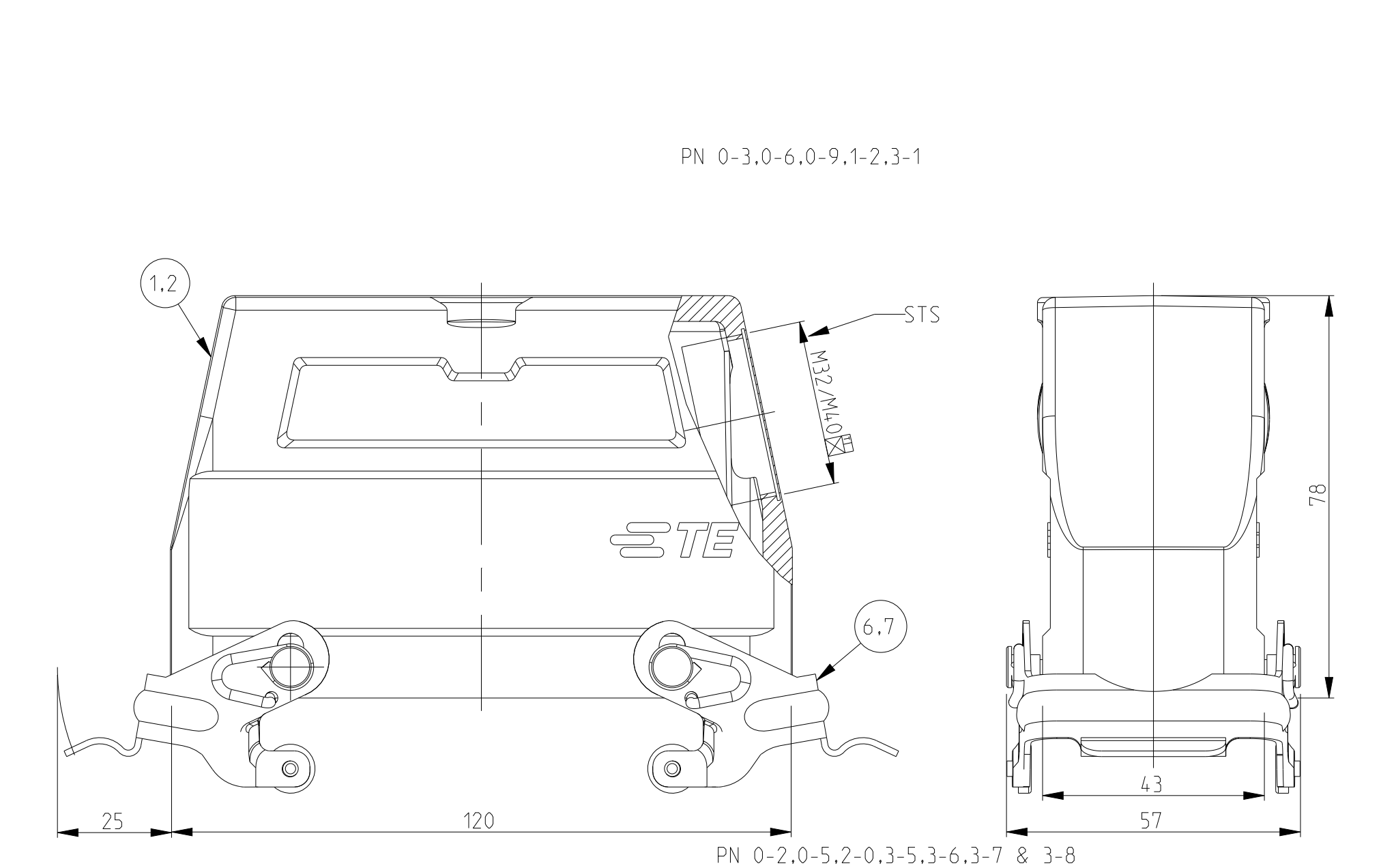


REVISIONS				
NO	DATE	DESCRIPTION	DATE	APPD
A1				



- NOTES.
- 1 Material:Housing:Aluminium Diecasting Alloy
 - 2 Surface:Varnish grey
 - 3 Varnish on the inside not necessary
 - △ Packaging Quantity 5 Pieces in a box
 - 5 Without TE-Product sign
 - △ Special Packaging Quantity 50 Pieces in a Kanban box



ITEM NO	DESCRIPTION	MATERIAL	SURFACE	COLOR	ITEM NO	NOTES
1	HD-K HOOD	Aluminium	Aluminium oxide	Black	17	
2	HD HOOD	Aluminium		GREY	16	
3	HD HOOD	Aluminium		GREY	15	
4	HD-EMV Hood	Aluminium	chromit Al passivation	Black	14	
5	HD Hood	Aluminium		Grey	13	
6	HD Hood	Aluminium	Neutral	Grey	12	Without TE-Logo
7	ZB-Central clip	Stainless steel	Blank		11	
8	ZB-Central clip	Steel	Zinc plated	Blue	10	
9	LB-Clip bolt	Stainless steel	Blank		9	
10	LB-Clip bolt	Steel	Zinc plated	Blue	8	
11	VS-Side clip	Stainless steel	Blank		7	
12	VS-Side clip	Steel	Zinc plated	Blue	6	
13	VS-Clip bolt	Stainless steel	Blank		5	
14	VS-Clip bolt	Steel	Zinc plated	Blue	4	
15	HD Hood	Aluminium		Grey	3	Without TE-Logo
16	HD-K Hood	Aluminium	Aluminium oxide	Black	2	
17	HD Hood	Aluminium		Grey	1	

THIS DRAWING IS A CONTROLLED DOCUMENT. DATE: 30-Nov-07
 DIMENSIONS: SCHNEIDER / SCHWEIGER / APO
 MATERIAL: ALUMINIUM
 FINISH: POLISHED

PRODUCT SPEC: 1106-74.001/74.003
 APPLICATION REF: 114-74.001/74.004
 WEIGHT: -
 Customer Drawing

NAME: Schneider / Schweiger / APO
 TITLE: -
 SCALE: 5:1
 SHEET: 1 of 1
 REF: A20

STE TE Connectivity
 Hood HD.64.STS.M32/1.M4.0.G
 SITE: A0
 CASE CODE: 00779
 DRAWING NO: 1106470
 RESTRICTED TO: -