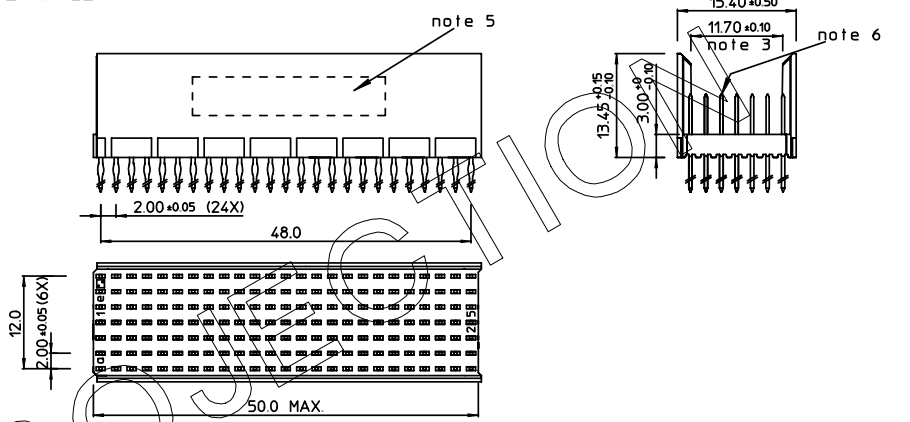


LOADING PATTERN MATING SIDE

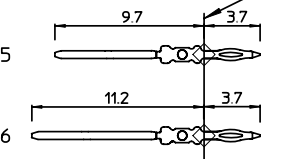
f	6	6	6	6	6	6	6	6	6	6	6	6	6	6	6	6	6	6	6	6	6	6
e	6	5	5	6	5	5	6	5	5	5	5	5	5	5	5	5	5	5	5	5	5	5
d	6	5	5	6	5	5	6	5	5	5	5	5	5	5	5	5	5	5	5	5	5	5
c	6	5	5	6	5	5	6	5	5	5	5	5	5	5	5	5	5	5	5	5	5	5
b	6	5	5	6	5	5	6	5	5	5	5	5	5	5	5	5	5	5	5	5	5	5
a	6	5	5	6	5	5	6	5	5	5	5	5	5	5	5	5	5	5	5	5	5	5
z	0	0	0	0	0	0	0	0	0	0	0	0	0	0	0	0	0	0	0	0	0	0
POS	0	1	0	5	1	0	5	1	0	5	1	0	5	1	0	5	1	0	5	1	0	5

NOTE : NOT TO BE MATED WITH A FREE BOARD CONNECTOR.
LEVEL 3 IN ROW B IS NOT ALLOWED PER IEC 1076-4-101.

LOADED CONNECTOR ASSEMBLY
(FOR EXAMPLE)

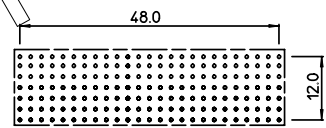


CONTACT OVERVIEW



SEATING PLANE
FOR CONNECTOR

LAY-OUT P.C.B.-HOLE



EUROPEAN PRO

HM2P08PDM2J5

LEAD FREE INDICATOR : LF = LEAD FREE
(DIGIT 15 & 16)

PLATING CODE (DIGIT 13 AND 14)
(REF DWG No. BS,C ,201844,003)

NOTES:

- THIS PRODUCT IS CSA APPROVED.
- THIS PRODUCT IS UL RECOGNIZED.
- MEASURED AT THE BOTTOM.
- MATERIAL CONTACT: PHOSPHORBRONZE
HOUSING: CREAM WHITE GLASSFILLED POLYESTER UL-94V0
- CONNECTOR PRINTED WITH P/N AND DATE CODE.
- FOR ACTUAL CONTACT LOADINGS, SEE LOADING PATTERN MATING SIDE.
- SHAPE OF CONNECTOR HOUSING CAN ALTER DEPENDING ON PRODUCTION LOCATION.
- THE PRODUCT (LF) MEETS EUROPEAN UNION DIRECTIVES AND OTHER COUNTRY REGULATIONS AS DESCRIBED IN GS-22-008
- FOR RECOMMENDED PTH DIMENSIONS REFER DRAWING : BS,A ,201572,001

1DEC ±0,2	APPR.	DATE	SIGN.	MPACS 5+2R STR HDR SG PF ASSY TYPE B	
2DEC ±0,1	DRAFT	2000-10-02	M.Freit	CAT. No. HM2P08PDM2J5----	
ANGLES ±1°	CHECKED				
WE RESERVE THE RIGHT TO CHANGE DIMENSIONS OR REQUIREMENTS WITHOUT PRIOR NOTICE.	PROD. MGR			SCALE	
	PR. ENG. MGR				
ALL DIMENSIONS IN MM	PR. MGT. MGR			FCJ www.fciconnect.com	
	REFERENCES			BS,C ,202788,044 D	
					DRAWING No. CUSTOMER DRAWING REVISION

THIS IS OUR EXCLUSIVE PROPERTY. IT IS NOT TO BE COPIED, REPRINTED OR DISCLOSED TO A THIRD PARTY, NOR USED FOR MANUFACTURING WITHOUT OUR WRITTEN CONSENT, AND HAS TO BE RETURNED TO US IN CASE OF NO USAGE

DIT IS ONZE EIGENDOM EN MAG NOCH NAGEHAAKT. HERDRUKT, OVERGEHAAKT AAN DERDEN, NOCH VOOR FABRIKATIE GEBRUIKT WORDEN, ZONDER ONZE SCHRIFTELIJKE TOELATING. BIJ NIET GEBRUIK IS TERUGGEGAVEN VERPLICHT.