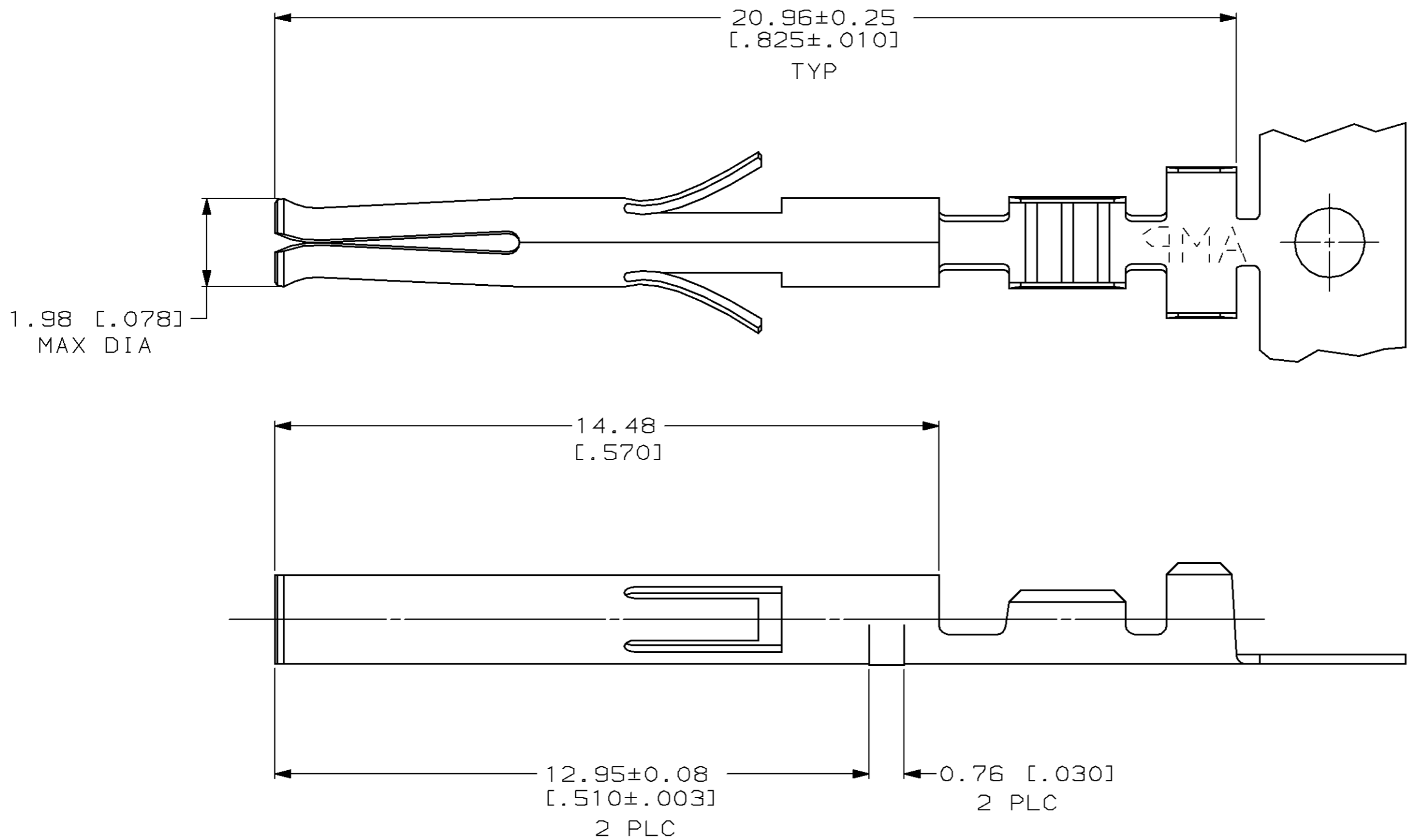


THIS DRAWING IS UNPUBLISHED. RELEASED FOR PUBLICATION ,19 .
© COPYRIGHT 19 BY AMP INCORPORATED. ALL RIGHTS RESERVED.

LOC		DIST		REVISIONS			
P	LTR	DESCRIPTION	DATE	DWN	APVD		
	0	RLSE -2 PER NPR 3, WAS 96-4986-1	28 JUL 96	-	-		
	A	REV PER EC 0320-47-96	6 SEP 96	CO	KD		



788000-2
PART NUMBER

1. WIRE RANGE = 18-20 AWG.
2. INSULATION RANGE = 2.03 [.080]-2.54 [.100].

<small>THIS DRAWING IS A CONTROLLED DOCUMENT FOR AMP INCORPORATED. IT IS SUBJECT TO CHANGE AND THE CONTROLLING ENGINEERING ORGANIZATION SHOULD BE CONTACTED FOR THE LATEST REVISION.</small>		DWN W.G. LENKER 28 JUL 96 CHK R. STONE 29 JUL 96 APVD K. DOWHOWER 31 JUL 96	AMP AMP Incorporated Harrisburg, PA 17105-3608
DIMENSIONS: mm [INCHES]	TOLERANCES UNLESS OTHERWISE SPECIFIED: 0 PLC ±- 1 PLC ±- 2 PLC ±0.13 [.005] 3 PLC ±- 4 PLC ±- ANGLES ±- FINISH 3.30 μm [.000130] MIN TIN	PRODUCT SPEC 108-10032 APPLICATION SPEC 114-10011 WEIGHT -	NAME SOCKET CONTACT, 20-18, AUDIO SIZE A3 CAGE CODE 00779 DRAWING NO C=788000
MATERIAL BRASS		CUSTOMER DRAWING	SCALE 10:1 SHEET 1 OF 1 REV A