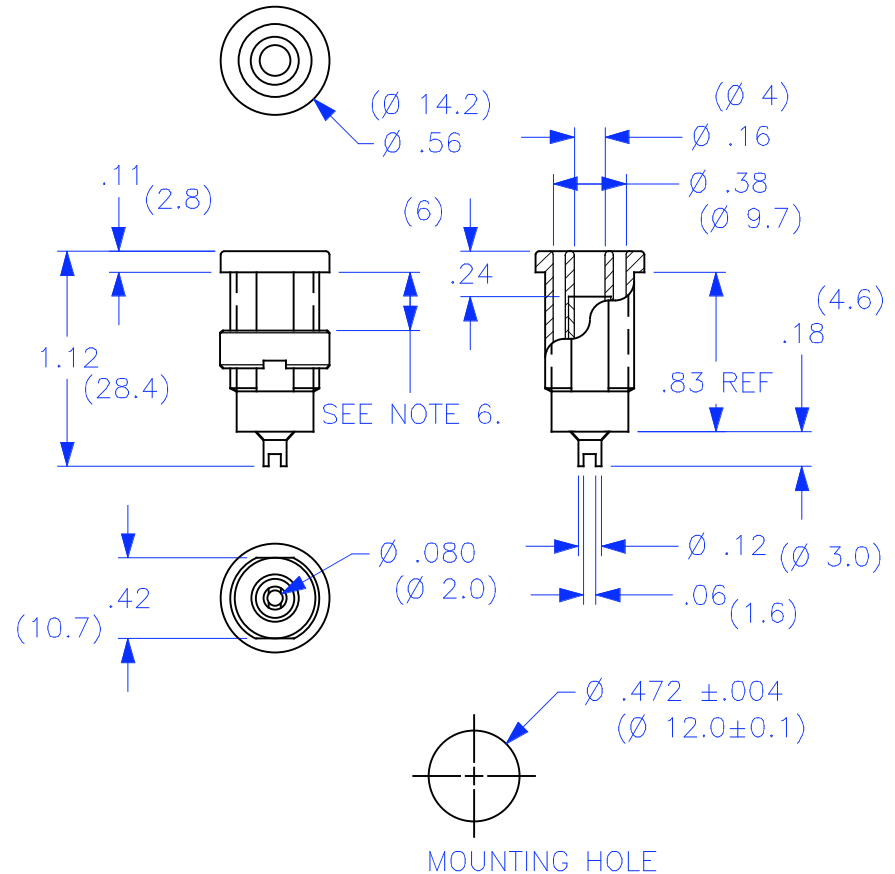


THIS IS ISSUED IN STRICT CONFIDENCE THAT IT IS NOT USED AS A BASIS FOR MANUFACTURE OR SALE AND THAT IT IS NOT COPIED, REPRINTED OR DISCLOSED TO A THIRD PARTY EITHER WHOLLY OR IN PART WITHOUT THE PRIOR WRITTEN CONSENT OF CAL TEST ELECTRONICS, INC.

- SAFETY SOCKET w/ \varnothing .080 (\varnothing 2.0) SOLDER FORK.
- SPECIFICATIONS:
INSULATOR: POLYAMIDE
CONTACT: BRASS, NICKEL PLATED
LOCKING NUT: BRASS, NICKEL PLATED
- RATING:
VOLTAGE: 1,000V CATIII P2 (IEC61010-1)
CURRENT: 25A MAX.
RESISTANCE: $<5m\Omega$.
TEMPERATURE: -20° C TO $+80^{\circ}$ C.
- MOUNTING HOLE: REF. DIAGRAM
- INSULATOR THREAD, M12 X 0.75
- MAXIMUM PANEL THICKNESS: .40 (10.2).

REVISIONS			
REV.	DESCRIPTIONS	DATE	APPROVED
-	CLASS A RELEASED	7/12/99	
A	REVISED CONFIGURATION & MATL. MOUNTING HOLE. NEW TOOLING.	4/18/04	



PART NUMBER

CT2242-#

- COLOR:
- 0 - BLACK
 - 1 - BROWN
 - 2 - RED
 - 3 - ORANGE
 - 4 - YELLOW
 - 5 - GREEN
 - 6 - BLUE
 - 7 - PURPLE
 - 8 - GRAY
 - 9 - WHITE

THIRD ANGLE PROJECTION		UNLESS OTHERWISE SPECIFIED DIMENSIONS ARE IN INCHES TOLERANCES ARE: FRACTIONS DECIMALS $\pm 1/32$.XX \pm .02 .XXX \pm .005 DO NOT SCALE DRAWING		CONTRACT NO.		Cal Test Electronics 22820 Savi Ranch Parkway Yorba Linda, CA 92887-4610	
		MATERIAL		APPROVALS	DATE	TITLE	
		FINISH		DRAWN	7/12/99	4mm SAFETY SOCKET, w/\varnothing .080(\varnothing 2mm)SOLDER FORK	
NEXT ASSY	USED ON	ENGR.		CHECKED		SIZE	REV.
APPLICATION		DESIGN ACTIVITY				A	A
						CAGE CODE	DWG. NO.
						43F45	P224200
						SCALE	SHEET
						1:1	1 OF 1