

**SAFETY ORGANIZATIONS**

THIS FILTER HAS BEEN FORMALLY RECOGNIZED, CERTIFIED OR APPROVED BY THE LISTED AGENCY. THEREFORE, ALL TEST/REQUIREMENTS SPECIFIED IN THE LATEST REVISION OF THE FOLLOWING AGENCY STANDARDS HAVE BEEN MET:

- UL RECOGNIZED: UL 1283
- CSA CERTIFIED: CSA 22.2, # 8
- VDE APPROVED: EN 133200

**OPERATING SPECIFICATIONS**

LINE CURRENT/VOLTAGE: 3 AMP/40°C, 120/250VAC

LINE FREQUENCY: 50-60Hz

MAXIMUM LEAKAGE CURRENT,  
EACH LINE TO GROUND: 0.22mA @ 120V, 60Hz  
0.38mA @ 250V, 50Hz

OPERATING AMBIENT TEMP. RANGE: -10°C TO +40°C @ RATED CURRENT,  $I_r$ .

IN AN AMBIENT,  $T_0$ , HIGHER THAN 40°C, THE MAXIMUM OPERATING CURRENT,  $I_0$ , IS AS FOLLOWS:

$$I_0 = I_r \sqrt{\frac{100 - T_0}{60}}$$

**RELIABILITY SPECIFICATIONS:**

STORAGE TEMPERATURE: -40°C TO +85°C  
HUMIDITY: 21 DAYS @ 40°C 95% RH.  
CURRENT OVERLOAD TEST: 6 TIMES  $I_r$  FOR 8 SECONDS

**TEST SPECIFICATIONS:**

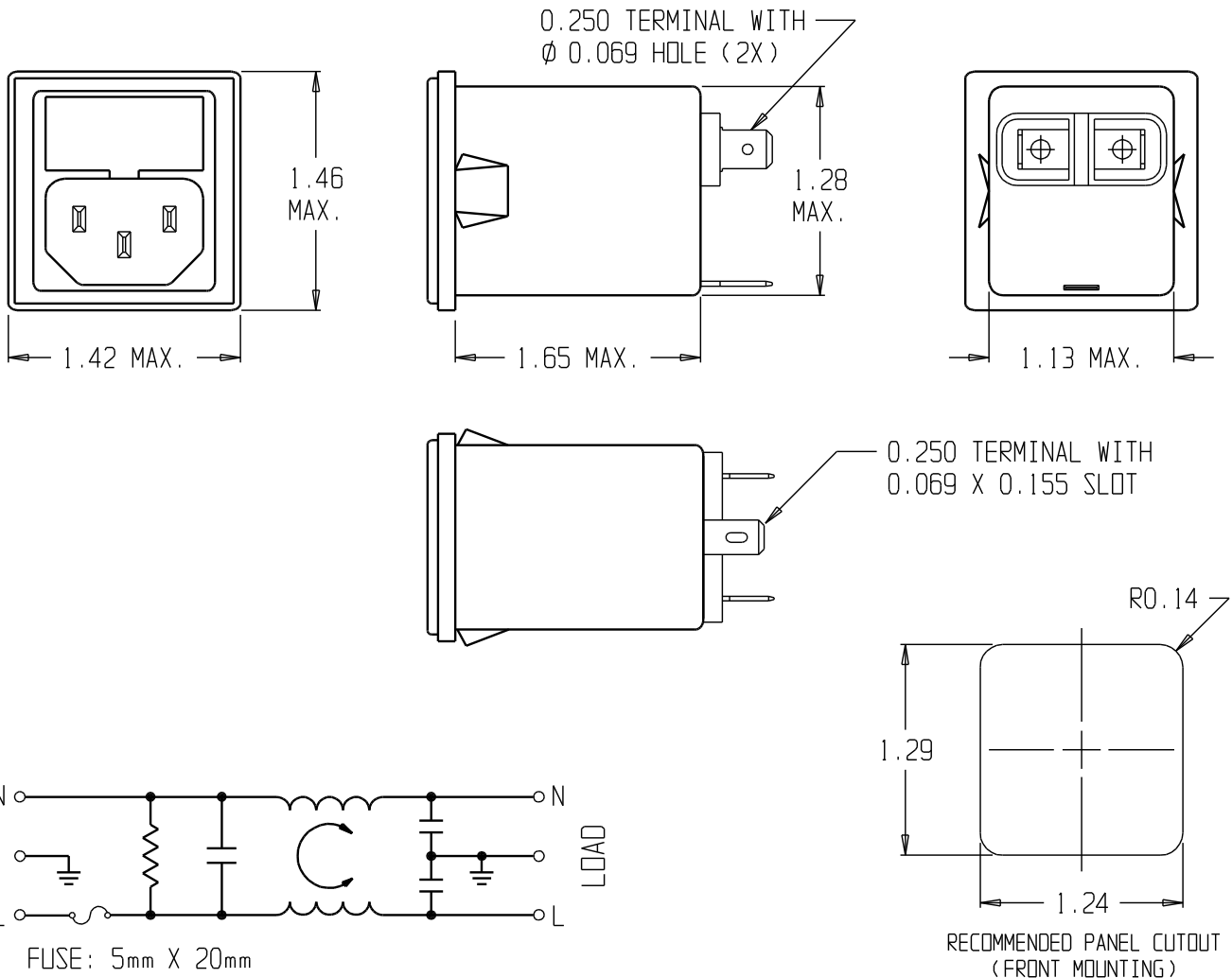
INDUCTANCE: 1.99mH NOMINAL  
CAPACITANCE: (MEASURED @ 1KHz, 0.250VAC MAX., 25°C±1°C)  
LINE TO GROUND: 0.0053µF ±20%  
LINE TO LINE: 0.101µF ±20%  
DISCHARGE RESISTOR: 1.5MΩ  
L/G AND L/L I.R.  
NO DISCHARGE RESISTOR: 6000MΩ (MIN.) @ 100VDC, 20°C AND 50% RH

**RECOMMENDED RECEIVING INSPECTION HIPOT:**

LINE TO GROUND: 1500VAC OR 2250VDC FOR 1 MINUTE  
LINE TO LINE: 1450VDC FOR 1 MINUTE

**FILTER APPROVAL:**

THE BEST WAY TO SELECT AND QUALIFY A FILTER IS FOR YOUR ENGINEERING TO TEST THE UNIT IN YOUR EQUIPMENT.



**50Ω - 50Ω (MINIMUM) INSERTION LOSS**

FREQUENCY MHz	0.01	0.05	0.10	0.15	0.5	1.0	3.0	5.0	10	30
COMMON dB	-	10	15	19	30	36	-	48	50	53
DIFF. dB	1	-	-	2	11	14	25	38	44	40

THIRD ANGLE PROJECTION

UNLESS OTHERWISE SPECIFIED, TOLERANCE TO BE ±.025

MATERIAL & FINISH: AS SUPPLIED

This document is proprietary to CORCOM INC. and is not to be reproduced nor used for manufacturing purposes except on CORCOM'S prior written consent.

**tyco** Electronics **CORCOM**  
620 S. BUTTERFIELD ROAD MUNDELEIN IL 60060

**CUSTOMER DRAWING 3EGS1-1**

TYCO: 0-6609117-3

SCALE: NTS	DATE: 14OCT03	CATALOG NO.	REV.
DRW. BY: JF	DRIG: KAW	3EGS1-1	C1