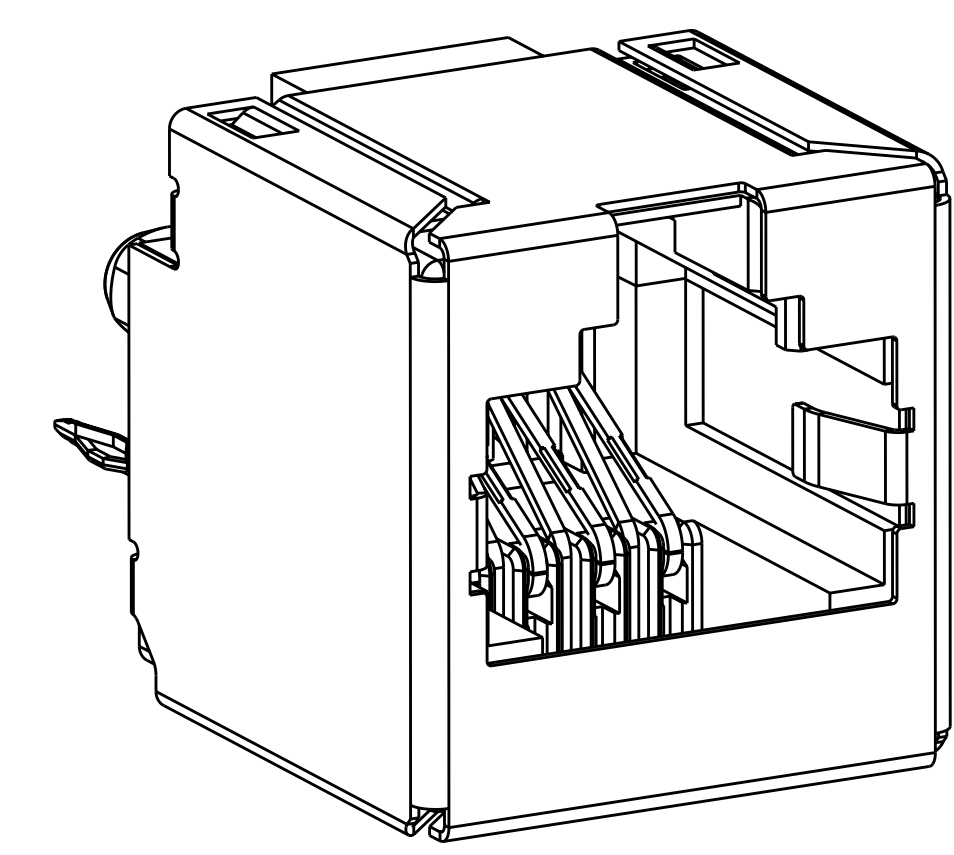
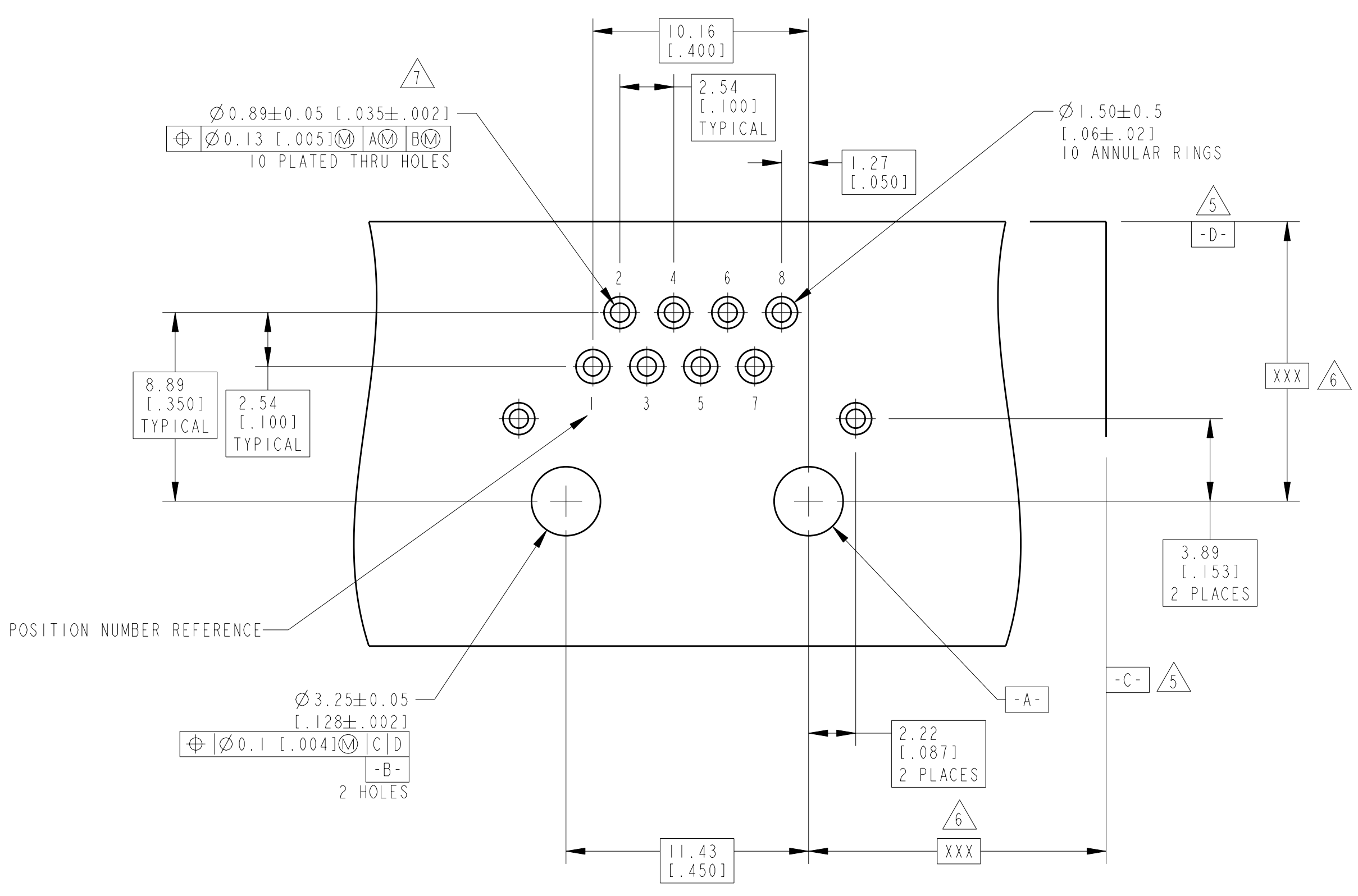
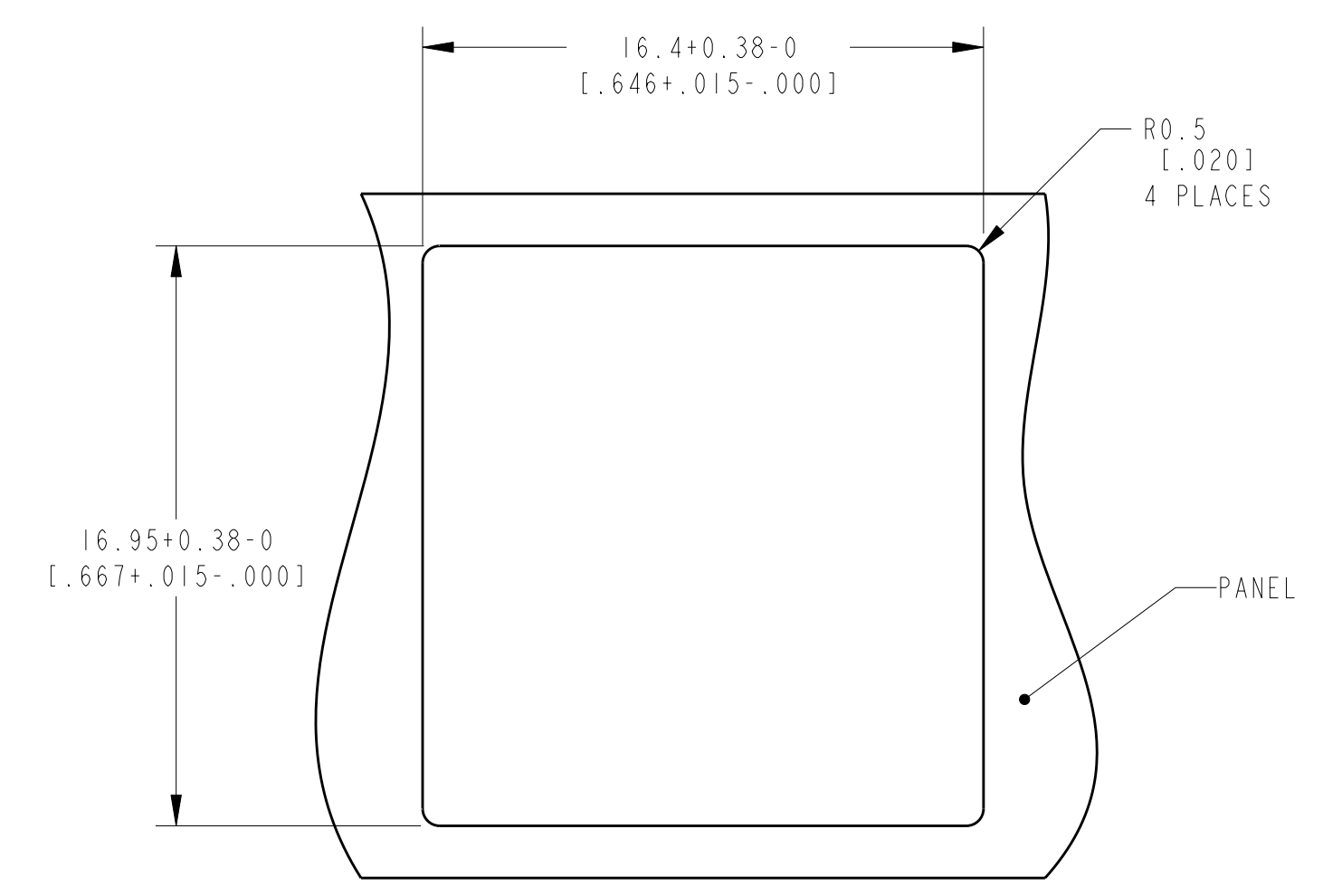
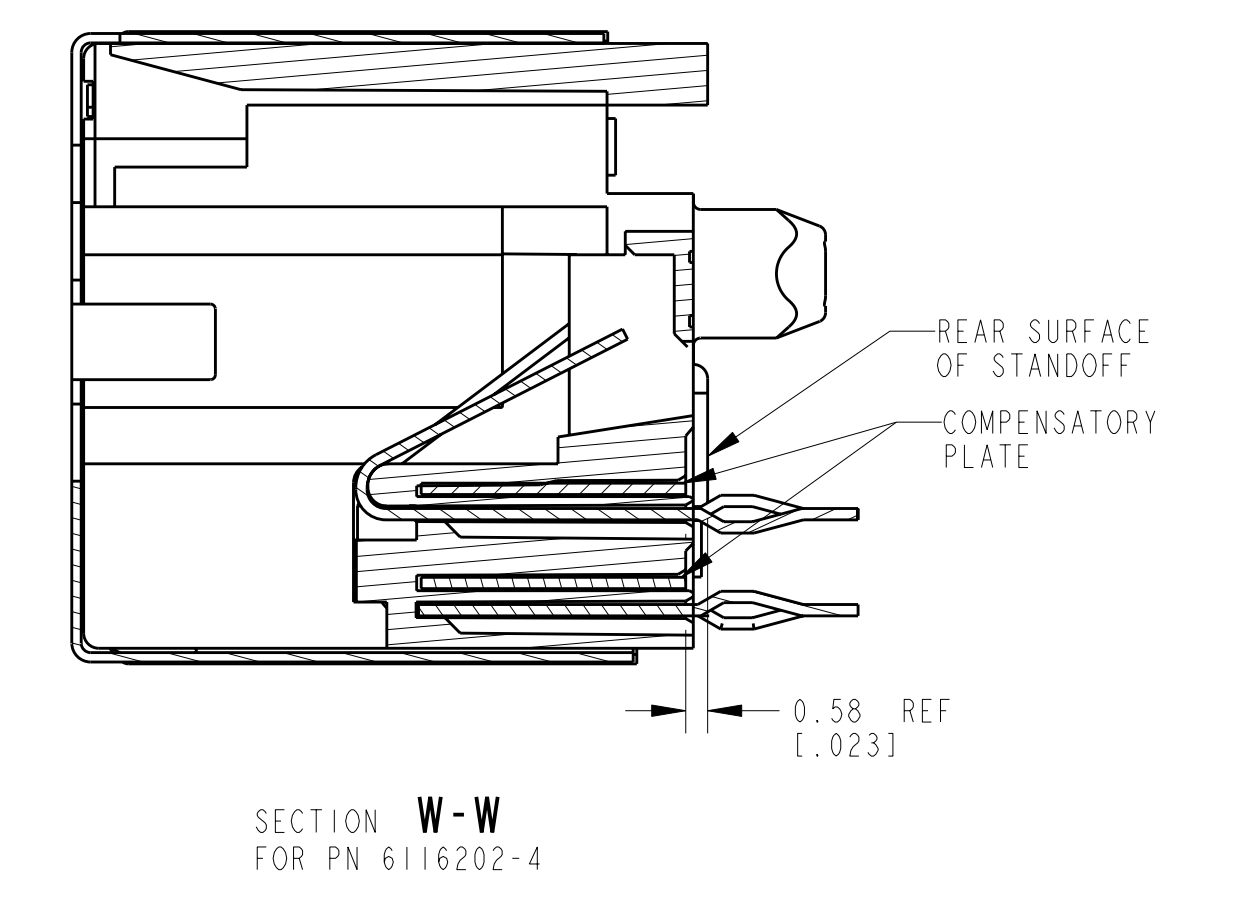
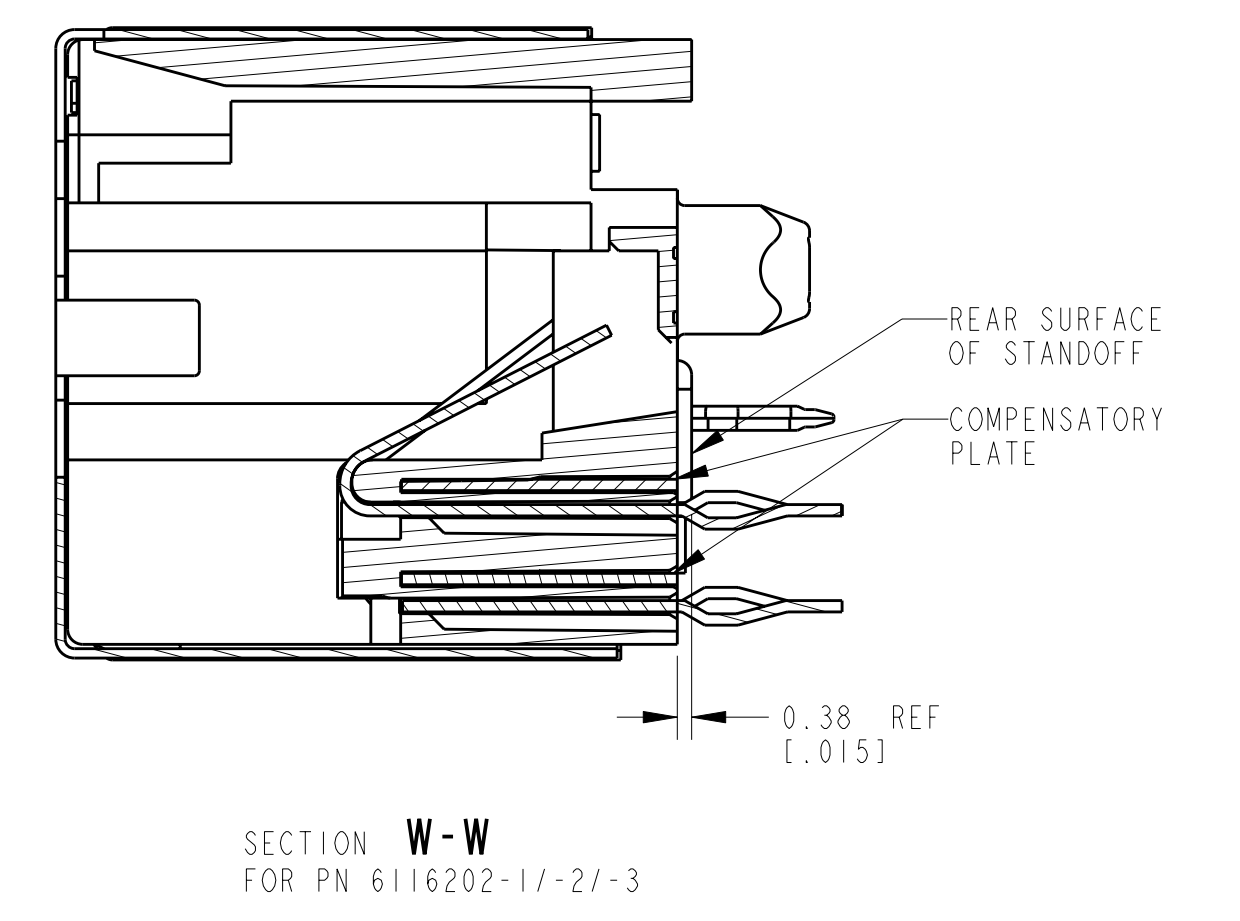
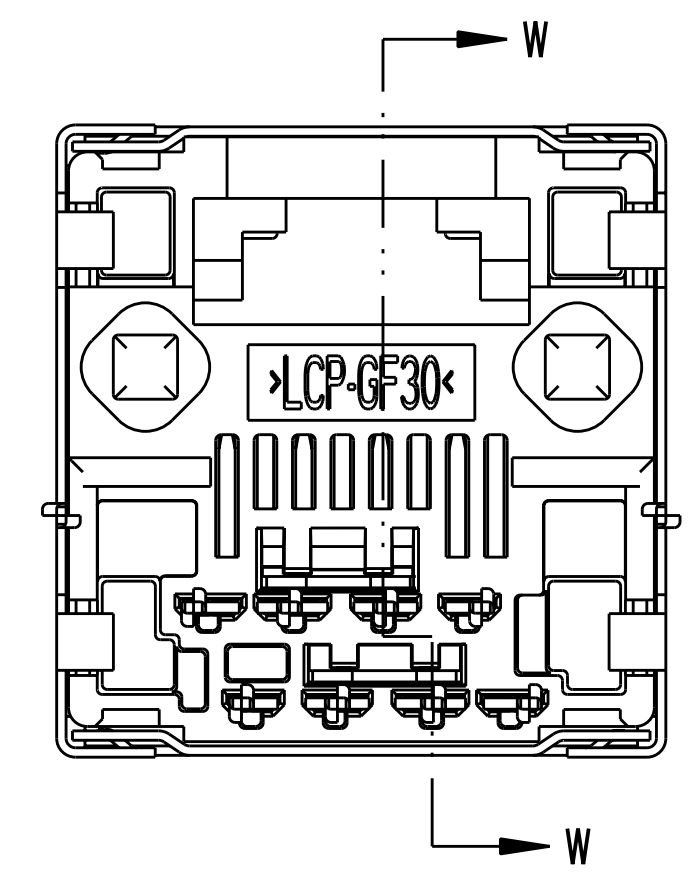
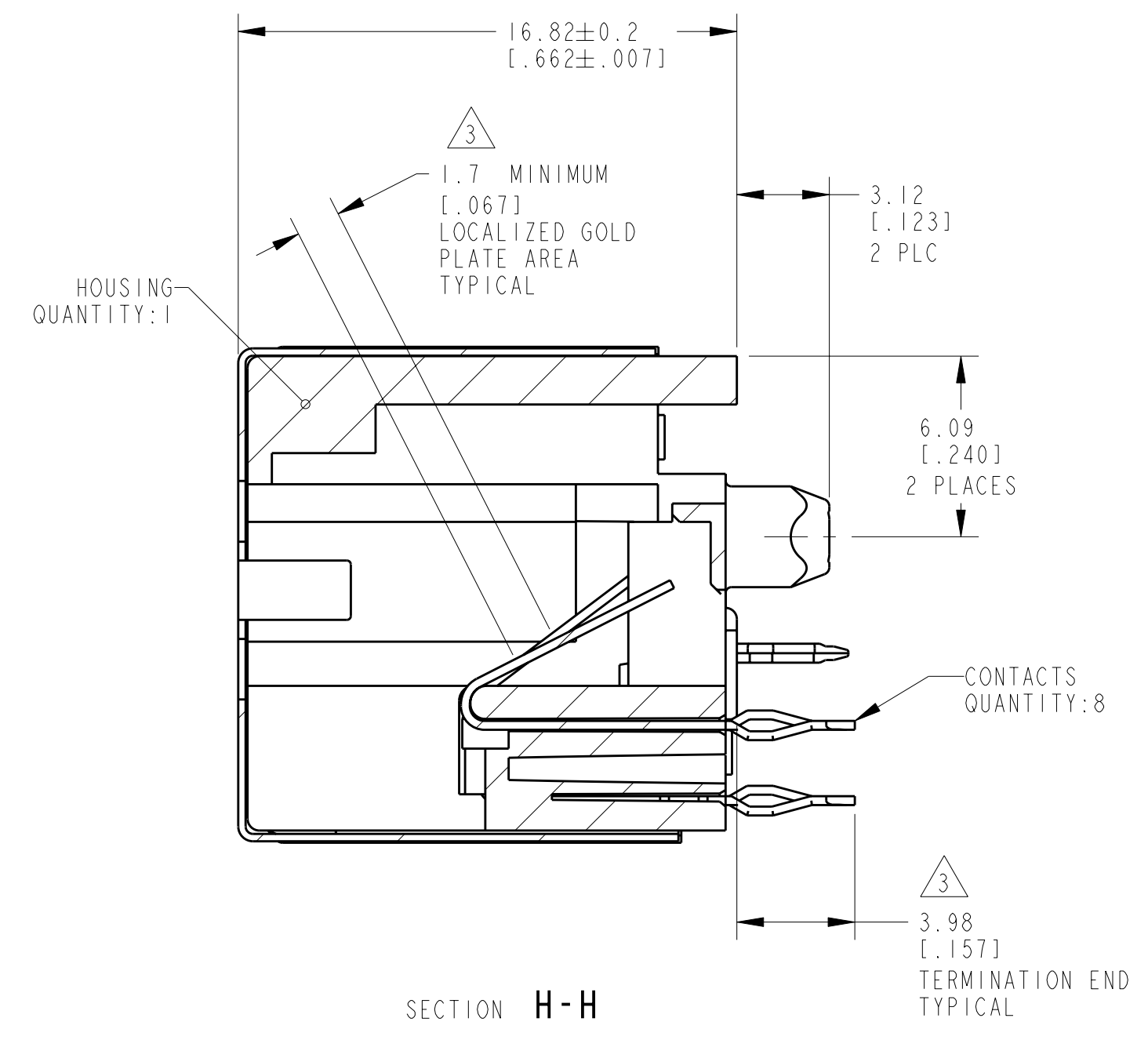
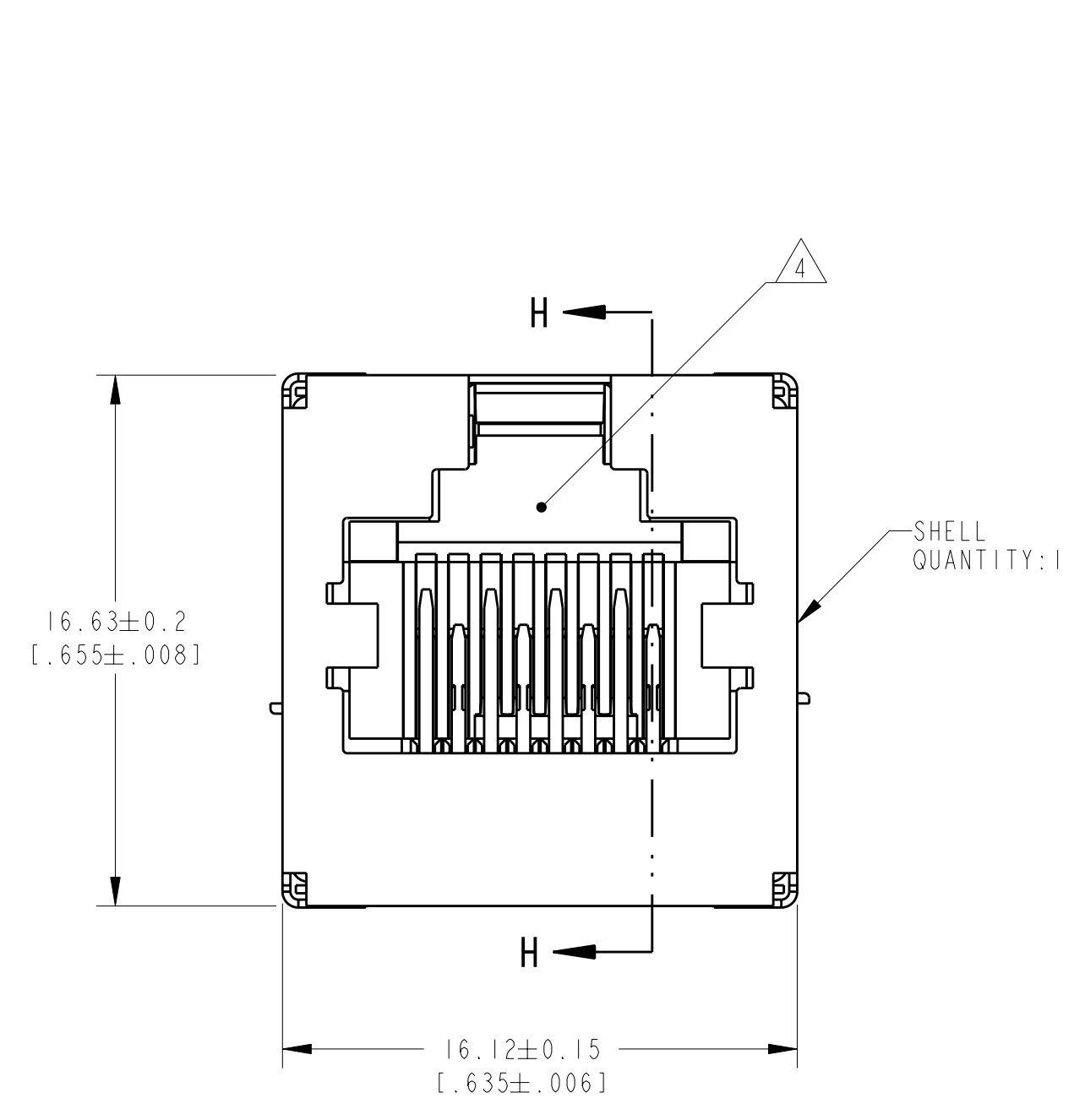


| LOC | DIST | REV | DESCRIPTION               | DATE      | DWN | APVD |
|-----|------|-----|---------------------------|-----------|-----|------|
| AA  | 22   | D3  | REVISED PER ECO-11-005033 | 18MAR2011 | RK  | HMR  |
|     |      | E   | ECO-11-019083             | 22SEP2011 | JJ  | MOW  |



- 1 THERMOPLASTIC.
- 2 PHOSPHOR BRONZE
- 3 1.27 um [0.000050] MIN GOLD IN LOCALIZED GOLD PLATE AREA, 2 um [0.000079] MIN MATTE TIN ON TERMINATION END, BOTH OVER 1.27 um [0.000050] MIN NICKEL.
- 4 CAVITY CONFORMS TO FCC 47 CFR 68 PART F.
- 5 DATUMS ESTABLISHED BY CUSTOMER.
- 6 DIMENSIONS ESTABLISHED BY CUSTOMER.
- 7 DRILLED HOLE DIAMETER 1.02±0.03 [0.040±0.001]. COPPER THK 0.03-0.08 [0.001-0.003]. TIN THICKNESS 8 um [0.000315] MIN.
- 8 COPPER ZINC ALLOY
- 9 2.03 um [0.000080] MIN BRIGHT TIN OVER 1.27 um [0.000050] MIN NICKEL
- 10 PC BOARDS GREATER THAN 1.57 [0.062] IN THICKNESS MAY REQUIRE SPECIAL EXTRACTION TOOLING, CONSULT ENGINEERING.
- 11 PACKAGED 29 PIECES PER TUBE
- 12 PACKAGED 27 PIECES PER TUBE
- 13 WITH IMPROVED CHAMFERS ON TERMINAL EDGES.
- 14 WITHOUT COMPENSATORY PLATE

| REV | DESCRIPTION | PART NUMBER |
|-----|-------------|-------------|
| 1   | NATURAL     | 6116202-6   |
| 2   | NATURAL     | 6116202-5   |
| 3   | BLACK       | 6116202-4   |
| 4   | NATURAL     | 6116202-3   |
| 5   | NATURAL     | 6116202-2   |
| 6   | BLACK       | 6116202-1   |
|     | PACKAGING   | COLOR       |
|     |             | PART NUMBER |

RECOMMENDED PRINTED CIRCUIT BOARD LAYOUT  
 RECOMMENDED PRINTED CIRCUIT BOARD THICKNESS 1.41 [0.055] MIN  
 COMPONENT SIDE OF PRINTED CIRCUIT BOARD

THIS DRAWING IS A CONTROLLED DOCUMENT.

|                         |  |                          |                            |                               |
|-------------------------|--|--------------------------|----------------------------|-------------------------------|
| DIMENSIONS: mm [INCHES] | TOLERANCES UNLESS OTHERWISE SPECIFIED: | DWN: A. MAYER 20APR2005  | CHK: J. WESTMAN 20APR2005  | APVD: S. FLICKINGER 20APR2005 |
| 9 PLC ±0.3 [0.012]      | 1 PLC ±0.13 [0.005]                    | PRODUCT SPEC: 108-1163-6 | APPLICATION SPEC: 114-2158 | WEIGHT: -                     |
| MATERIAL: 1 2 8         | FINISH: 3 9                            | CAGE CODE: A100779       | DRAWING NO: C-6116202      | CUSTOMER DRAWING              |

TE Connectivity  
 MODULAR JACK ASSEMBLY, VERTICAL, COMPLIANT PIN, SHIELDED, 8 POSITION, CATEGORY 5  
 SCALE: 5:1 SHEET 1 OF 1 REV E