

4

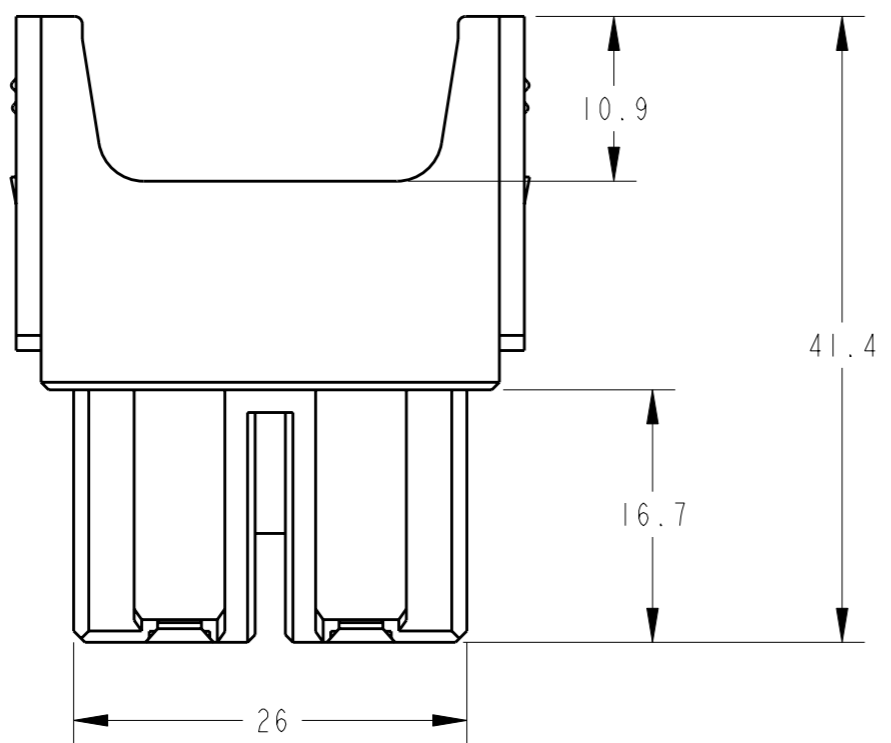
3

2

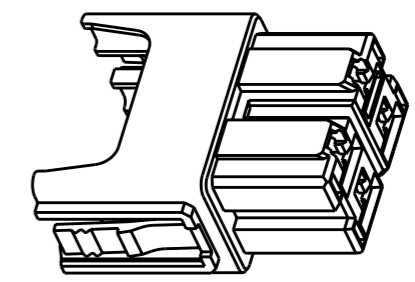
1

THIS DRAWING IS UNPUBLISHED. RELEASED FOR PUBLICATION 20
 © COPYRIGHT 20 BY TYCO ELECTRONICS CORPORATION. ALL RIGHTS RESERVED.

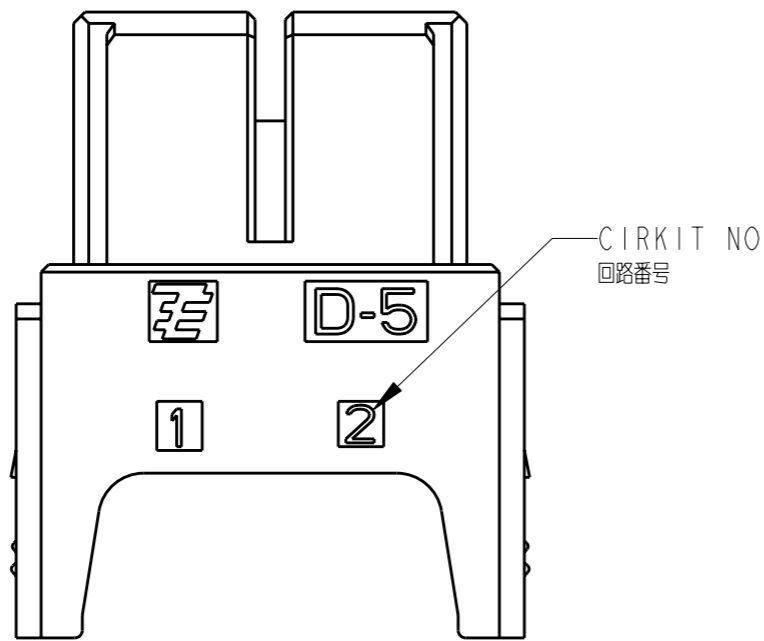
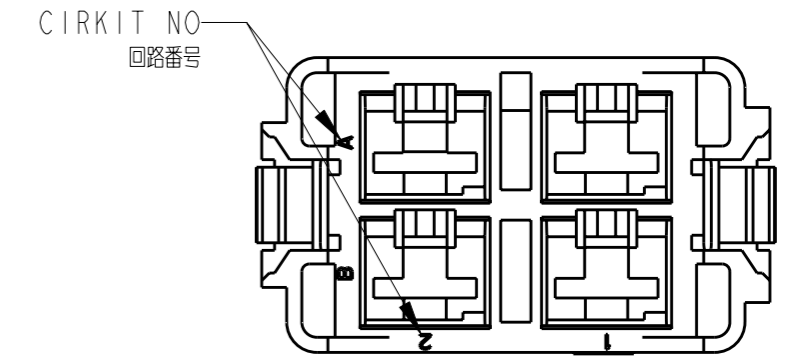
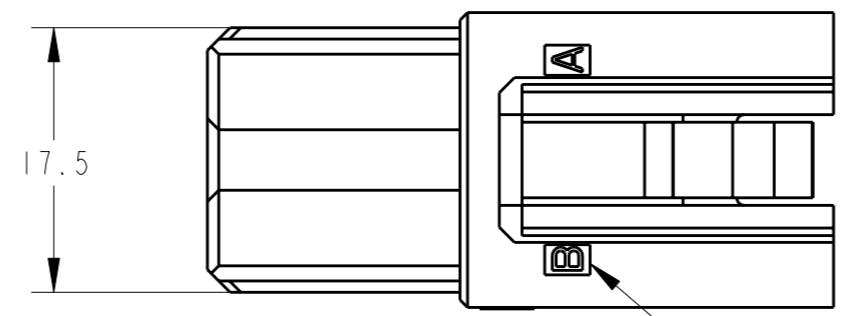
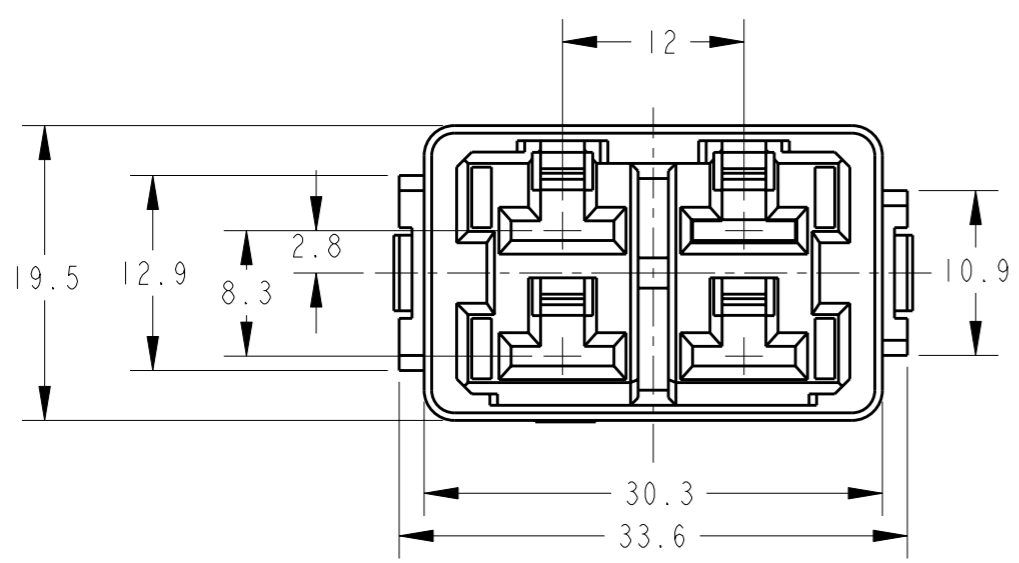
LOC	DIST	REVISIONS					
		P	LTR	DESCRIPTION	DATE	DWN	APVD
J	-		B	REVISED PER ECR-10-013235	09JUL2010	HMR	TM



1871418-1:AS SHOWN



スケール 1:1



注記

- 材料: ガラス入り熱可塑性ポリエステル樹脂
色: 黒色
- モジュール固定フレーム使用型番
サイズ"3: 0-1108784-1
サイズ"4: 0-1108783-1, 0-1108783-2
サイズ"6: 0-1108782-1, 0-1108782-2
サイズ"8: 0-1108780-1, 0-1108780-2

NOTES

- MATERIAL: GLASS FIELD THERMO PLASTIC, POLYESTER
COLOR: BLACK
- MODULE FIXATION FRAME USE P/No
SIZE3: 0-1108784-1
SIZE4: 0-1108783-1, 0-1108783-2
SIZE6: 0-1108782-1, 0-1108782-2
SIZE8: 0-1108780-1, 0-1108780-2

THIS DRAWING IS A CONTROLLED DOCUMENT FOR TYCO ELECTRONICS CORPORATION IT IS SUBJECT TO CHANGE AND THE CONTROLLING ENGINEERING ORGANIZATION SHOULD BE CONTACTED FOR THE LATEST REVISION.		DWN T. Sakamoto 23JUN2006	Tyco Electronics Tyco Electronics AMP K.K. Kawasaki, Japan	
DIMENSIONS: 単位: 耗 mm	TOLERANCES UNLESS OTHERWISE SPECIFIED:	CHK D. Mitsugi 23JUN2006	NAME 名称	
	一般公差	APVD D. Mitsugi 23JUN2006	PRODUCT SPEC	
	0 PLC ±-	製品規格	108-78389	
	1 PLC ±- ±0.35	APPLICATION SPEC	114-5206	
	2 PLC ±- ±3°	取付適用規格	-	
	3 PLC ±-	WEIGHT	-	
	4 PLC ±-		-	
	ANGLES ±-		-	
MATERIAL 材料 注記参照 SEE NOTES	FINISH 仕上		-	
CUSTOMER DRAWING		SIZE A3	CAGE CODE 00779	DRAWING NO C-1871418
		RESTRICTED TO	-	
		SCALE 尺度 2:1	SHEET 1	OF 1
		REV B		