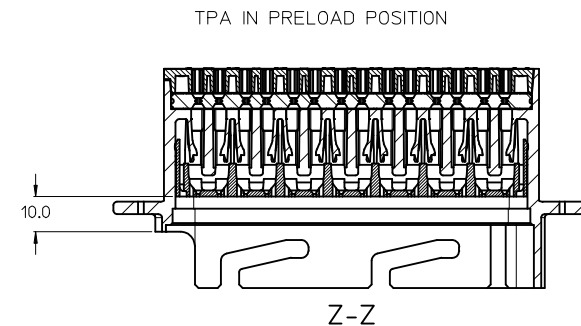
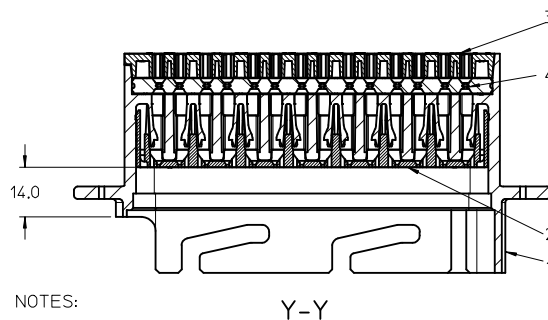
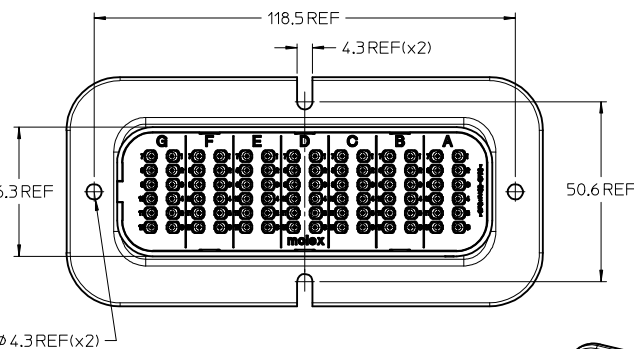


TPA IN CLOSED POSITION

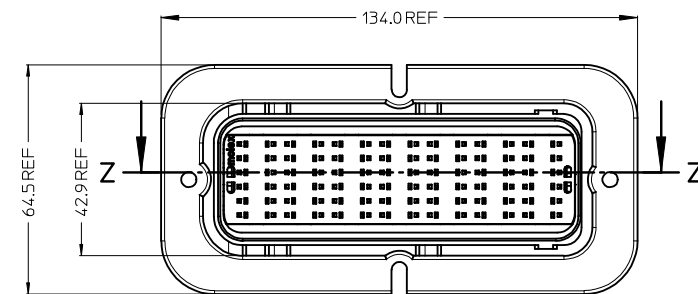


TPA IN PRELOAD POSITION



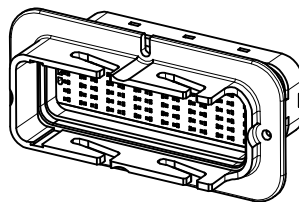
NOTES:

- MATERIAL:
HOUSINGS: SPS/NYLON BLEND, GLASS FILLED, UL 94 HB
SEAL: SILICONE RUBBER
- MX150 BLADE TERMINALS PER SD-33000-001 TO BE USED WITH THIS ASSEMBLY IN ALL CAVITIES CRIMPED WITH CABLE INSULATION OUTER DIAMETER IN THE RANGE 1.5mm to 2.7mm
- PRODUCT SPECIFICATION: PS-85070-001
- PACKAGING SPECIFICATION: PK-85071-001; FRONT COVER SHIPPED IN EITHER CLOSED OR PRE-LOAD POSITION
- MATES WITH: SRC RECEPTACLE ASSEMBLY PART NUMBER 850700500 PER SD-85070-500
- APPLICATION SPECIFICATION: 850700001 PSA
- FLANGE GASKET OPTIONS: REFER TO 850710017 PSD



No.	DESCRIPTION	QTY.	COLOUR
4	MALE BACK SEAL	1	RUST RED
3	MALE REAR COVER	1	BLACK
2	MALE FRONT COVER	1	BLACK
1	MALE HOUSING	1	BLACK

BILL OF MATERIAL



UPDATE TO NOTES EC NO: IFC2016-105Z DRWN: WALLACE 2016/02/05 CHKD: APPR: WALLACE 2016/02/11	QUALITY SYMBOLS ▽=0 ▽=0	GENERAL TOLERANCES (UNLESS SPECIFIED) <table border="1"> <tr> <th></th> <th>mm</th> <th>INCH</th> </tr> <tr> <td>4 PLACES</td> <td>± .05</td> <td>± .002</td> </tr> <tr> <td>3 PLACES</td> <td>± .03</td> <td>± .001</td> </tr> <tr> <td>2 PLACES</td> <td>± 0.20</td> <td>± .008</td> </tr> <tr> <td>1 PLACE</td> <td>± 0.5</td> <td>± .020</td> </tr> </table> ANGULAR ± .5°		mm	INCH	4 PLACES	± .05	± .002	3 PLACES	± .03	± .001	2 PLACES	± 0.20	± .008	1 PLACE	± 0.5	± .020	DIMENSION STYLE MM ONLY	SCALE 1:1	DESIGN UNITS METRIC	THIRD ANGLE PROJECTION
				mm	INCH																
4 PLACES	± .05	± .002																			
3 PLACES	± .03	± .001																			
2 PLACES	± 0.20	± .008																			
1 PLACE	± 0.5	± .020																			
DRAWN BY: CSEBASTIAN DATE: 2007/07/27 CHECKED BY: MMUELLER DATE: 2007/08/21 APPROVED BY: TREMHOF DATE: 2007/08/21	MATERIAL NO. 850710100	TITLE SRC MALE 84 PIN BLADE HOUSING ASSEMBLY	DOCUMENT NO. SD-85071-100	SHEET NO. 1 OF 1																	

DRAFT WHERE APPLICABLE MUST REMAIN WITHIN DIMENSIONS

THIS DRAWING CONTAINS INFORMATION THAT IS PROPRIETARY TO MOLEX INCORPORATED AND SHOULD NOT BE USED WITHOUT WRITTEN PERMISSION