

GloTek, Inc. www.globtek.com 186 Veterans Drive, Northvale, NJ 07647 Tel. (201) 784-1000 Fax (201) 784-0111	Drawing Title: LOCKING FEMALE BARREL 2.5 mm ID W/4.0 mm THUMB SCREW AND 9.8MM EXPOSED to MOLDED STRAIN RELIEF WITH 38MM ROJ AND 8 RIJ +, GT Cable #SPT-1-18: 18 / 2 Conductors, 2.7 x 5.4 + 0.1 mmmm OD, SPT-1, 105 Deg.C, 300V, BLACK/BLACK WITH EMBOSSED/PRINTED WORDS, Approvals: , 1830mm, GlobTek Black	
	Model No. Low voltage cable	
	Part No./Ordering No. LL21106F0A00(R)	Rev D1

CUSTOMIZED LENGTHS, COLORS, CABLE TYPES, TERMINATIONS/PLUGS/RECEPTACLES AVAILABLE UPON REQUEST. ADDITIONAL PLUG OPTIONS ARE AVAILABLE AT <https://www.globtek.com/connectors/> STANDARD PLUGS AND CONNECTORS CAN BE SEEN ONLINE AT <https://www.globtek.com/connectors/> ACTUAL CONNECTORS, OVERMOLDS, FERRITES MAY VARY SLIGHTLY FROM THE PICTURE BELOW DIMENSIONS ARE IN MM UNLESS SPECIFIED OTHERWISE

In Addition to GlobTek Inc.'s renewed ISO9001:2008 - Quality Management System Certification, GlobTek Inc. is now certified to:

ISO13485:2003 - Medical Devices Quality Management System Certification
ISO14001:2004 - Environmental Management System Certification

ISO Certificates are available online at <https://www.globtek.com/iso-certificates/>
Prop 65 Statement:<https://en.globtek.com/prop-65-statement.pdf>

The acceptance of this specification and use of the product described in this document indicates the acceptance and binding of the customer to Globtek TERMS AND CONDITIONS (attached to the end of this document), which supersede all other agreements, terms, and conditions (<https://en.globtek.com/terms-and-conditions/>).

The purchaser of this product (Customer) agrees that it is their sole responsibility to determine suitability/fitness of the product described in this specification for their application and to take precautions for protection against any hazards attendant to the handling and use of the product.

Footnote:

GlobTek Inc. will not be liable for the safety and performance of these power supplies if unauthorized access and repair occurs. End user should consult applicable UL, CSA or EN standards for proper installation instruction.

Limitation of Use:

GlobTek products are intended for use with commercial, medical, and/or industrial equipment only. GlobTek product are not authorized for use as mission critical components in life support hazardous environment, nuclear or aircraft applications without prior written approval from the CEO of GlobTek Inc.
Contents of this document are subject to change without prior notice.

Customer Approval of Specification:

Please approve, sign and send back to GlobTek so we can complete order processing.
A delay in receipt of this form will delay delivery schedule.

Company Name: _____	Customer P/N: _____
Quote Number: _____	Date: _____
Authorized Representative Name: _____	Authorized Representative Signature: _____

GlobTek, Inc. www.globtek.com 186 Veterans Drive, Northvale, NJ 07647 Tel. (201) 784-1000 Fax (201) 784-0111	Drawing Title: LOCKING FEMALE BARREL 2.5 mm ID W/4.0 mm THUMB SCREW AND 9.8MM EXPOSED to MOLDED STRAIN RELIEF WITH 38MM ROJ AND 8 RIJ +, GT Cable #SPT-1-18: 18 / 2 Conductors, 2.7 x 5.4 + 0.1 mmmm OD, SPT-1, 105 Deg.C, 300V, BLACK/BLACK WITH EMBOSSED/PRINTED WORDS, Approvals: , 1830mm, GlobTek Black	
	Model No. Low voltage cable	
Part No./Ordering No. LL21106F0A00(R)		Rev D1

CUSTOMIZED LENGTHS, COLORS, CABLE TYPES, TERMINATIONS/PLUGS/RECEPTACLES AVAILABLE UPON REQUEST. ADDITIONAL PLUG OPTIONS ARE AVAILABLE AT <https://www.globtek.com/connectors/> STANDARD PLUGS AND CONNECTORS CAN BE SEEN ONLINE AT <https://www.globtek.com/connectors/> ACTUAL CONNECTORS, OVERMOLDS, FERRITES MAY VARY SLIGHTLY FROM THE PICTURE BELOW DIMENSIONS ARE IN MM UNLESS SPECIFIED OTHERWISE

REVISION HISTORY

REV	DESCRIPTION	SUB	DATE	APPROVED
D1	UPDATE TO LATEST FORMAT, ADD MATING JACKS INFO	DR	03/08/2021	QA
C	ADD PACKING DETAIL, RFS. 18184, BS	DR	03/01/2010	QA
B	UPDATE TAB., RFS. 12495, BS	DR	11/21/2007	QA
A	INITIAL RELEASE	DR	02/18/2003	QA

Cordset Information:

CordsetColor:GlobTek Black

Cord Length (mm):1830

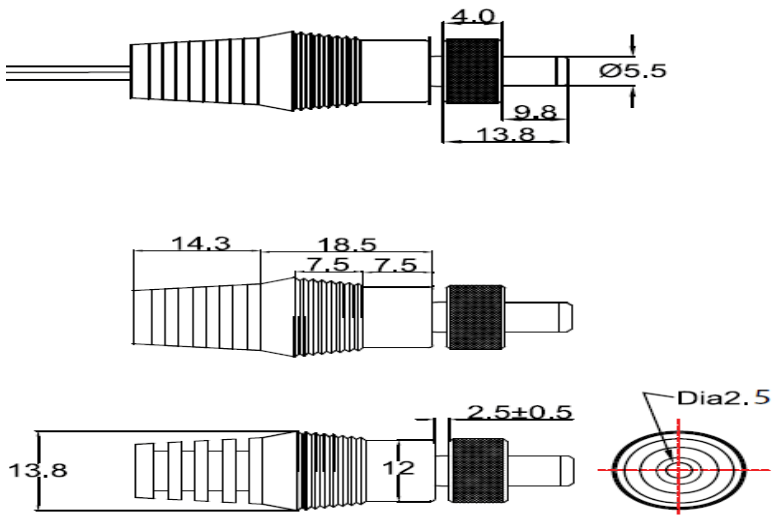
NOTES:

IDENTIFIED CONDUCTOR (STRIPE OR RIB) IS TO BE CONNECTED TO CENTER OF BARREL, UNMARKED CONDUCTOR TO OUTSIDE

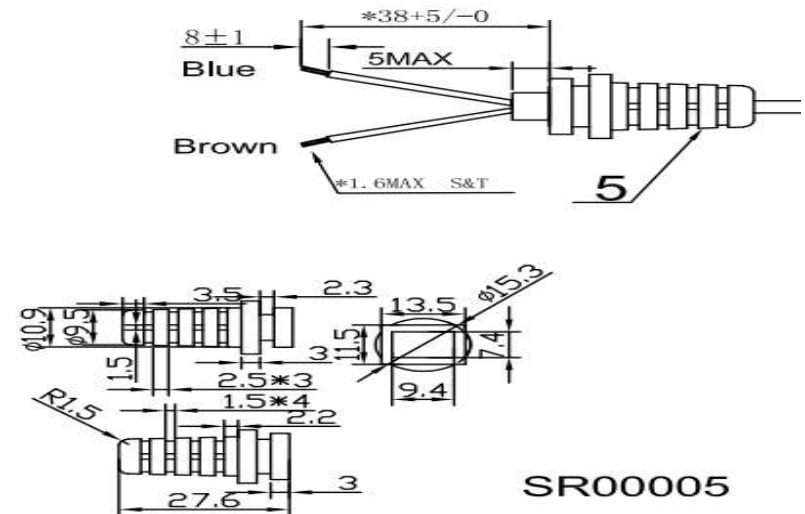
GlobTek, Inc. www.globtek.com 186 Veterans Drive, Northvale, NJ 07647 Tel. (201) 784-1000 Fax (201) 784-0111	Drawing Title: LOCKING FEMALE BARREL 2.5 mm ID W/4.0 mm THUMB SCREW AND 9.8MM EXPOSED to MOLDED STRAIN RELIEF WITH 38MM ROJ AND 8 RIJ +, GT Cable #SPT-1-18: 18 / 2 Conductors, 2.7 x 5.4 + 0.1 mmmm OD, SPT-1, 105 Deg.C, 300V, BLACK/BLACK WITH EMBOSSED/PRINTED WORDS, Approvals: , 1830mm, GlobTek Black	
	Model No. Low voltage cable Part No./Ordering No. LL21106F0A00(R)	Rev D1

CUSTOMIZED LENGTHS, COLORS, CABLE TYPES, TERMINATIONS/PLUGS/RECEPTACLES AVAILABLE UPON REQUEST. ADDITIONAL PLUG OPTIONS ARE AVAILABLE AT <https://www.globtek.com/connectors/> STANDARD PLUGS AND CONNECTORS CAN BE SEEN ONLINE AT <https://www.globtek.com/connectors/> ACTUAL CONNECTORS, OVERMOLDS, FERRITES MAY VARY SLIGHTLY FROM THE PICTURE BELOW DIMENSIONS ARE IN MM UNLESS SPECIFIED OTHERWISE

END A



END B



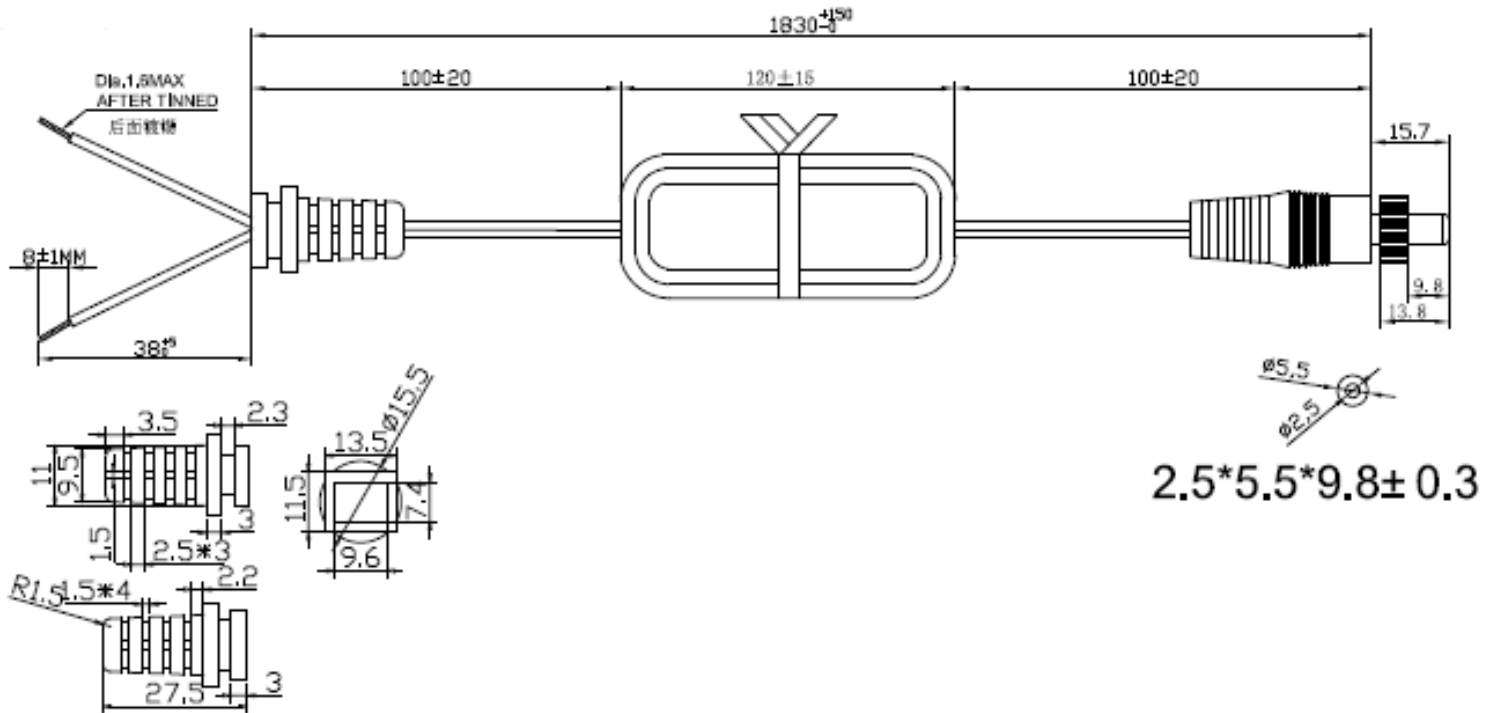
SR00005

Mates with Switchcraft® Jack 712A, 712RA

GlobTek, Inc. www.globtek.com 186 Veterans Drive, Northvale, NJ 07647 Tel. (201) 784-1000 Fax (201) 784-0111	Drawing Title: LOCKING FEMALE BARREL 2.5 mm ID W/4.0 mm THUMB SCREW AND 9.8MM EXPOSED to MOLDED STRAIN RELIEF WITH 38MM ROJ AND 8 RIJ +, GT Cable #SPT-1-18: 18 / 2 Conductors, 2.7 x 5.4 + 0.1 mmmm OD, SPT-1, 105 Deg.C, 300V, BLACK/BLACK WITH EMBOSSED/PRINTED WORDS, Approvals: , 1830mm, GlobTek Black	
	Model No. Low voltage cable	Rev D1
Part No./Ordering No. LL21106F0A00(R)		

CUSTOMIZED LENGTHS, COLORS, CABLE TYPES, TERMINATIONS/PLUGS/RECEPTACLES AVAILABLE UPON REQUEST. ADDITIONAL PLUG OPTIONS ARE AVAILABLE AT <https://www.globtek.com/connectors/> STANDARD PLUGS AND CONNECTORS CAN BE SEEN ONLINE AT <https://www.globtek.com/connectors/> ACTUAL CONNECTORS, OVERMOLDS, FERRITES MAY VARY SLIGHTLY FROM THE PICTURE BELOW DIMENSIONS ARE IN MM UNLESS SPECIFIED OTHERWISE

CABLE IMAGE



GlobTek, Inc. www.globtek.com 186 Veterans Drive, Northvale, NJ 07647 Tel. (201) 784-1000 Fax (201) 784-0111	Drawing Title: LOCKING FEMALE BARREL 2.5 mm ID W/4.0 mm THUMB SCREW AND 9.8MM EXPOSED to MOLDED STRAIN RELIEF WITH 38MM ROJ AND 8 RIJ +, GT Cable #SPT-1-18: 18 / 2 Conductors, 2.7 x 5.4 + 0.1 mmmm OD, SPT-1, 105 Deg.C, 300V, BLACK/BLACK WITH EMBOSSED/PRINTED WORDS, Approvals: , 1830mm, GlobTek Black	
	Model No. Low voltage cable	Part No./Ordering No. LL21106F0A00(R)

CUSTOMIZED LENGTHS, COLORS, CABLE TYPES, TERMINATIONS/PLUGS/RECEPTACLES AVAILABLE UPON REQUEST. ADDITIONAL PLUG OPTIONS ARE AVAILABLE AT <https://www.globtek.com/connectors/> STANDARD PLUGS AND CONNECTORS CAN BE SEEN ONLINE AT <https://www.globtek.com/connectors/> ACTUAL CONNECTORS, OVERMOLDS, FERRITES MAY VARY SLIGHTLY FROM THE PICTURE BELOW DIMENSIONS ARE IN MM UNLESS SPECIFIED OTHERWISE

End A Code:LLP-4 Description:LOCKING FEMALE BARREL 2.5 mm ID W/4.0 mm THUMB SCREW AND 9.8MM EXPOSED Rating (V):54 Rating (A):5.0 Gender:Female Overmolded:Yes	Cable Code:SPT-1-18 Description:GT Cable #SPT-1-18: 18 / 2 Conductors, 2.7 x 5.4 + 0.1 mmmm OD, SPT-1, 105 Deg.C, 300V, BLACK/BLACK WITH EMBOSSED/PRINTED WORDS, Approvals: Color:GlobTek Black Wire Gauge(AWG):18 Cond:2 Type:SPT-1 Temperature:105° C Amps: Volts:300 OD:2.7 x 5.4 + 0.1 mm ConductorsColors:BLACK/BLACK WITH EMBOSSED/PRINTED WORDS	End B Code:SR DC00005 38MM Description:MOLDED STRAIN RELIEF WITH 38MM ROJ AND 8 RIJ + Rating (V):54 Rating (A):7.0 Gender:Female Overmolded:Yes
---------------------------------------------------------------------------------------------------------------------------------------------------------------------------------	-----------------------------------------------------------------------------------------------------------------------------------------------------------------------------------------------------------------------------------------------------------------------------------------------------------------------------------------------------------------------------------------	-------------------------------------------------------------------------------------------------------------------------------------------------------------------

Overall cable rating:5A/54V

Plug Approvals	Cable Approvals	Connector Approvals
----------------	-----------------	---------------------



UL for Power Cords

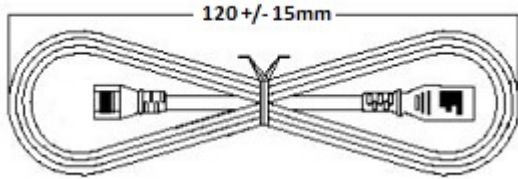
AGENCY ONLINE DOCUMENTS	http://en.globtek.com/cordsets/
RoHS/RoHS3 Declaration	https://www.globtek.com/pdf/rohs_cert/01t30000002p8zpAAA
REACH Declaration	https://www.globtek.com/pdf/iso_certificates/REACH.pdf
Conflict Minerals Declaration	https://www.globtek.com/pdf/conflict-minerals.pdf
Prop 65 Statement	https://en.globtek.com/prop-65-statement.pdf
CE.UKCA.Cord	https://globtek.secure.force.com/spec/ec_decl_product_model_family_incl_cord?id=01t30000002p8zp

IPXY rating is based on 3rd party testing and customers should check suitability and test system level IPXY rating before ordering.

GlobTek, Inc. www.globtek.com 186 Veterans Drive, Northvale, NJ 07647 Tel. (201) 784-1000 Fax (201) 784-0111	Drawing Title: LOCKING FEMALE BARREL 2.5 mm ID W/4.0 mm THUMB SCREW AND 9.8MM EXPOSED to MOLDED STRAIN RELIEF WITH 38MM ROJ AND 8 RIJ +, GT Cable #SPT-1-18: 18 / 2 Conductors, 2.7 x 5.4 + 0.1 mmmm OD, SPT-1, 105 Deg.C, 300V, BLACK/BLACK WITH EMBOSSED/PRINTED WORDS, Approvals: , 1830mm, GlobTek Black	
	Model No. Low voltage cable	Part No./Ordering No. LL21106F0A00(R)
		Rev D1

CUSTOMIZED LENGTHS, COLORS, CABLE TYPES, TERMINATIONS/PLUGS/RECEPTACLES AVAILABLE UPON REQUEST. ADDITIONAL PLUG OPTIONS ARE AVAILABLE AT <https://www.globtek.com/connectors/> STANDARD PLUGS AND CONNECTORS CAN BE SEEN ONLINE AT <https://www.globtek.com/connectors/> ACTUAL CONNECTORS, OVERMOLDS, FERRITES MAY VARY SLIGHTLY FROM THE PICTURE BELOW DIMENSIONS ARE IN MM UNLESS SPECIFIED OTHERWISE

Hanking: 120MM hank
 Description: 120 +/-15mm hank
 Image:



Notes/Modifications/Customizations (notes in this section supersede the values shown in the standard spec):