

GV-32830-000

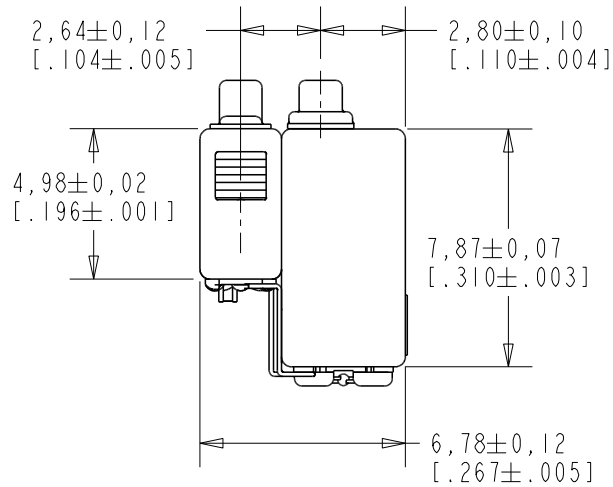
SHT 1.1

NOTES:

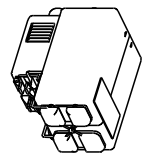
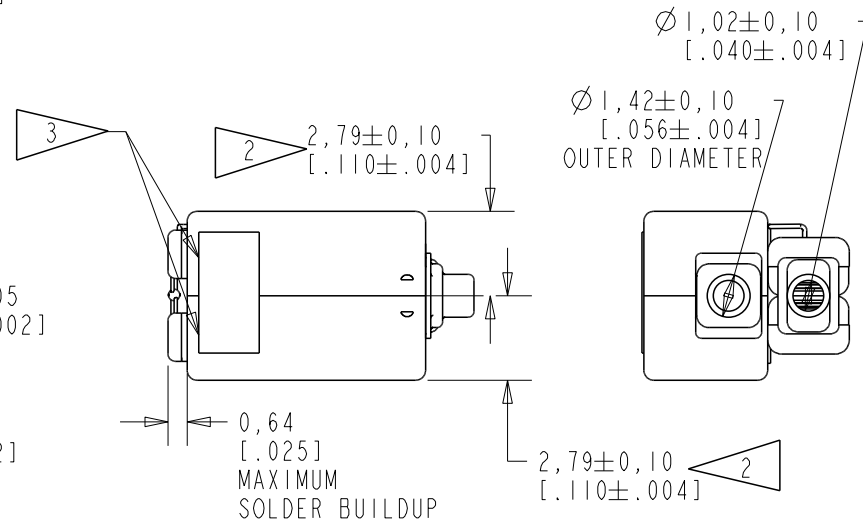
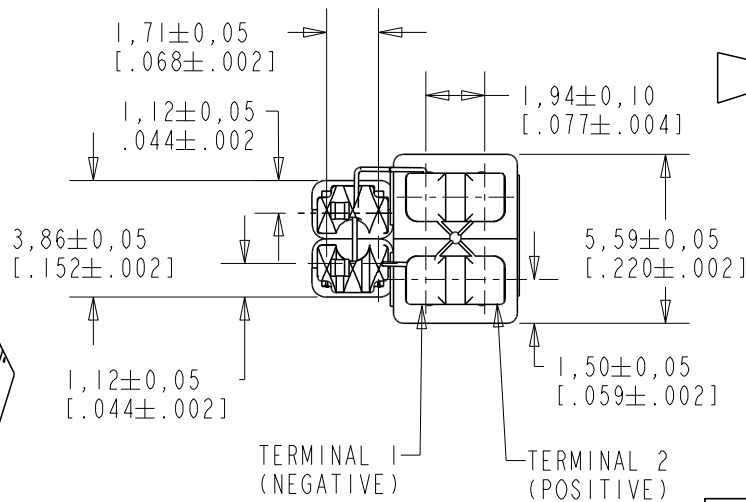
1. A POSITIVE GOING VOLTAGE AT TERMINAL 2, RELATIVE TO TERMINAL 1, CAUSES A DECREASE IN PRESSURE AT THE SOUND OUTLET.

2. LOCATED FROM TWO SURFACES FOR CUSTOMER CONVENIENCE. ONLY APPLICABLE FROM ONE SURFACE, NOT TO BE USED TOGETHER.

3. VENT HOLES ON THIS SIDE TO BE COVERED WITH TAPE M36042.



**RED CONTROLLED**



SCALE 2:1

NOMINAL WEIGHT  
.71 GRAMS

DIMENSIONS IN MILLIMETERS [INCHES]

Revision	C.O. #	Implementation Date	RELEASE LEVEL	REVISION
A	PI0000621	8-16-16	Active	A

SCALE: 4:1

DO NOT SCALE DRAWING

TITLE: RECEIVER  
OUTLINE DRAWING

GV-32830-000  
SHT 1.1

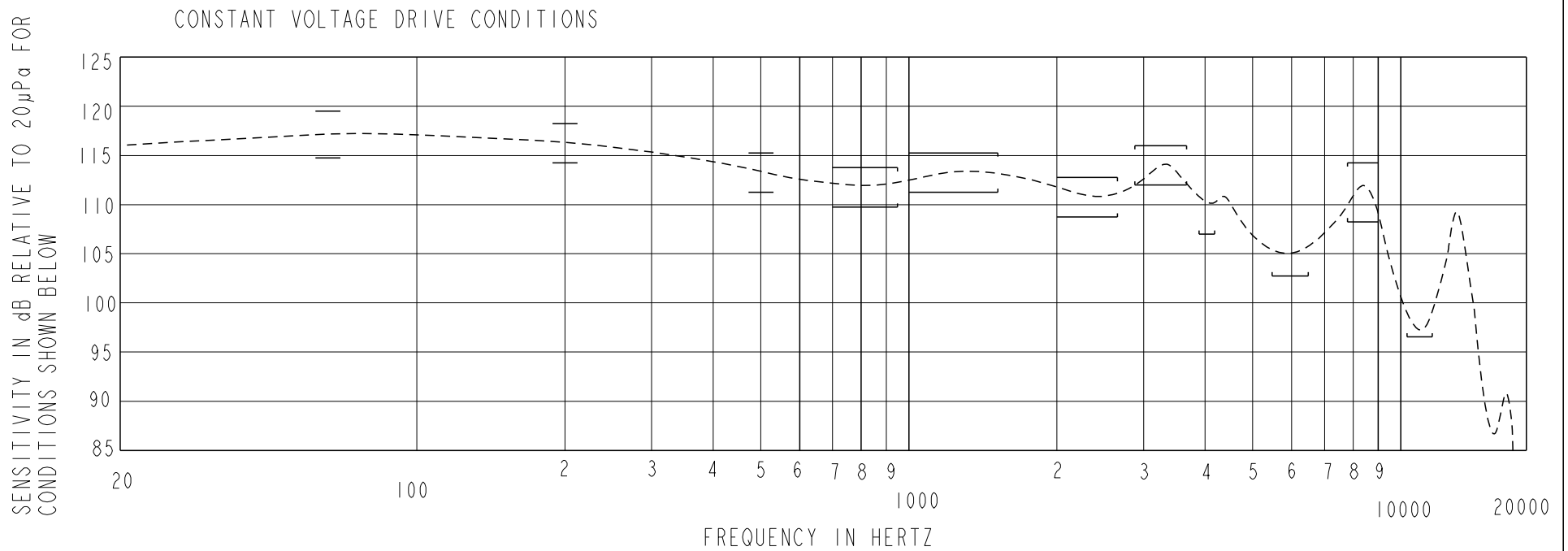
DR. BY	DATE
NANC	8-16-16
CK. BY	DATE
GJP	8-16-16
APP. BY	DATE
GJP	8-16-16

**KNOWLES CORPORATION**

UNDAMPED MAGNETIC BALANCED ARMATURE RECEIVERS INTENDED FOR USE AS THE HIGH AND LOW FREQUENCY DRIVERS IN A HI FI SYSTEM. THE GV RECEIVER COMBINES A TWFK AND HODVTEC RECEIVERS COUPLED THROUGH A CIRCUIT TO PROVIDE THE RESPONSE SHAPE.

GV-32830-000

SHEET 2.1



ACOUSTICAL

SENSITIVITY  
DEVICE WILL PRODUCE THE SPL LISTED BELOW UNDER TEST CONDITION IN TABLE 3.  
NOMINAL SENSITIVITY AT 1kHz IS dB RELATIVE TO 20 µPa. ALL OTHER VALUES IN dB RELATIVE TO THE SENSITIVITY AT 1kHz.

FREQUENCY (Hz)	MINIMUM	NOMINAL	MAXIMUM
70	+1.5	+3.875	+6.25
200	+1.0	+3.0	+5.0
500	-2.0	+113.25	+2.0
700-950	-3.5	-1.5	+0.5
1000-1600	-2.0	+0.0	+2.0
2000-2700	-4.5	-2.5	-0.5
2900-3700	-1.25	+0.75	+2.75
3900-4200	-6.25	--	--
5500-6500	-10.5	--	--
7800-9000	-5.0	-2.0	+1.0
10500-12500	-16.7	--	--

TABLE 1

TOTAL HARMONIC DISTORTION  
DEVICE WILL NOT EXCEED TOTAL HARMONIC DISTORTION LEVELS LISTED BELOW.

FREQUENCY (Hz)	AC DRIVE (V rms)	DC BIAS (mA)	LIMIT (%)
830	0.101	0	3
1130	0.101	0	3
500	0.202	0	3

TABLE 2

TEST CONDITIONS

NOMINAL SOURCE VOLTAGE	0.101 V rms, 0 V DC BIAS
SOURCE IMPEDANCE	<1 Ohm
TUBING	T-11930
COUPLER CAVITY	IEC 60318-4(711)

TABLE 3

ELECTRICAL

DC RESISTANCE	35.0 OHMS ± 10%
IMPEDANCE @ 500 Hz	50.0 OHMS ± 15%
IMPEDANCE @ 1 k Hz	28.125 OHMS ± 15%

TABLE 4

ISOLATION: CASE WILL BE ELECTRICALLY ISOLATED FROM THE COIL CIRCUIT.

MECHANICAL

PORT LOCATION: DUAL PORT

SOLDER TYPE: SAC305 (LEAD FREE)

TEMPERATURE

OPERATING: SENSITIVITY AT 1K Hz WILL NOT VARY MORE THAN +1/-3 dB FROM 0°C TO 63°C  
STORAGE: -40°C TO 63°C

**RED CONTROLLED**

**KNOWLES CORPORATION**

Revision	C.O. #	Implementation Date	RELEASE LEVEL	REVISION
			Active	A
A	PI0000621	8-16-16		
TITLE: RECEIVER			GV-32830-000	DR. BY DATE NANC 8-16-16
PERFORMANCE SPECIFICATION			SHT 2.1	CK. BY DATE GJP 8-16-16
				APP. BY DATE GJP 8-16-16

WHEN TEST LIMITS ARE USED TO ESTABLISH INCOMING INSPECTION ACCEPTANCE/REJECTION CRITERIA, CORRELATION OF TEST EQUIPMENT WITH KNOWLES IS ALSO REQUIRED FOR ELIMINATION OF EQUIPMENT AND TEST METHOD VARIATION