

4

3

2

1

THIS DRAWING IS UNPUBLISHED.

RELEASED FOR PUBLICATION

---

REVISIONS

© COPYRIGHT - TE Connectivity Ltd.

ALL RIGHTS RESERVED.

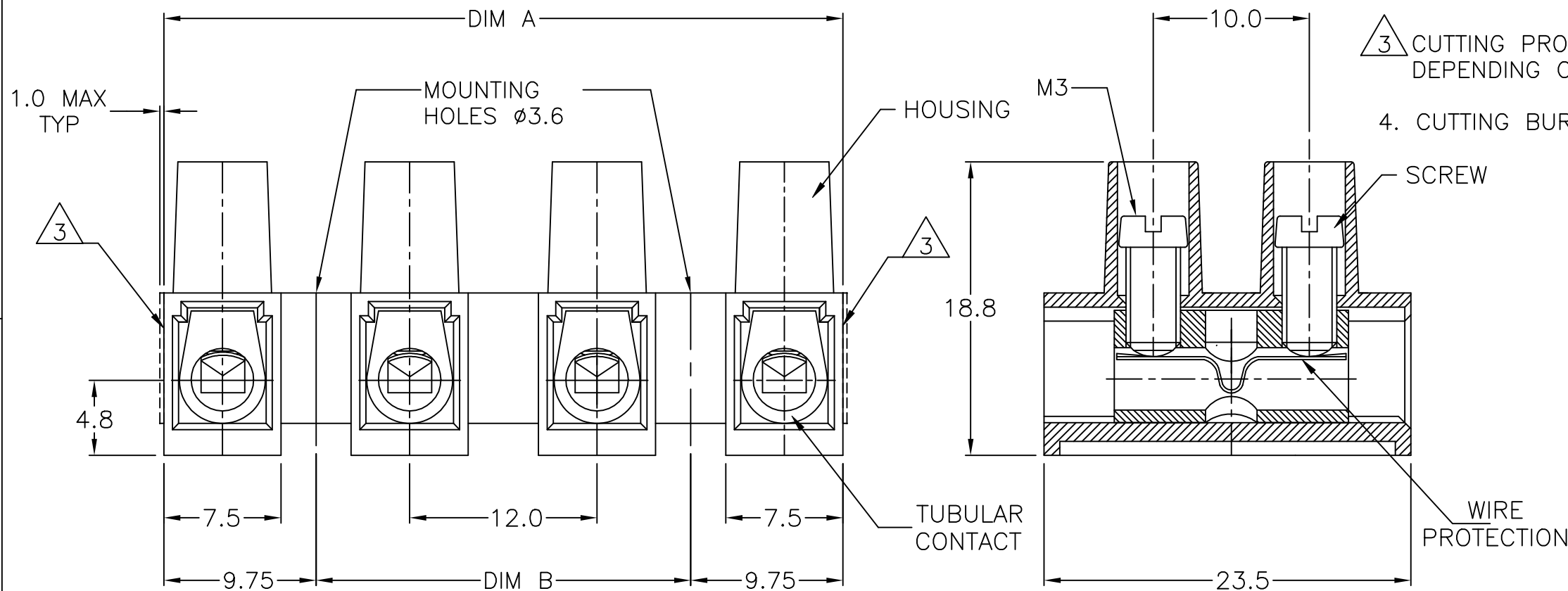
P	LTR	DESCRIPTION	DATE	DWN	APVD
P		CUTTING BURR DETAILS ADDED	20NOV2018	RK	PS

- MATERIALS:  
HOUSING: POLYAMIDE 6 UL94V-2  
COLOR: NATURAL (OFF WHITE).  
TUBULAR CONTACT: BRASS, TIN PLATED.  
SCREW: M3, STEEL, ZINC PLATED W/ NON-HEXAVALENT CHROMATE (CHROME III).  
WIRE PROTECTOR: STAINLESS STEEL.

- ELECTRICAL:  
CURRENT RATING: 40A, 250V.  
WIRE RANGE: 10-22 AWG.


3 CUTTING PROJECTION CAN BE ON BOTH SIDES DEPENDING ON CUTTING LOCATION

- CUTTING BURR MAX. 1mm ALLOWED.



120.0	139.5	TSB1000 12MDS	1-1776319-2
108.0	127.5	TSB1000 11MDS	1-1776319-1
96.0	115.5	TSB1000 10MDS	1-1776319-0
84.0	103.5	TSB1000 09MDS	1776319-9
72.0	91.5	TSB1000 08MDS	1776319-8
60.0	79.5	TSB1000 07MDS	1776319-7
48.0	67.5	TSB1000 06MDS	1776319-6
36.0	55.5	TSB1000 05MDS	1776319-5
24.0	43.5	TSB1000 04MDS	1776319-4
12.0	31.5	TSB1000 03MDS	1776319-3
-	19.5	TSB1000 02MDS	1776319-2
-	7.5	TSB1000 01MDS	1776319-1
DIM B	DIM A	T & B PART NUMBER	TE PART NUMBER

1776319-4 AS SHOWN

THIS DRAWING IS A CONTROLLED DOCUMENT.		DWN	S SCHLEGEL	3/21/05	 TE Connectivity Ltd.											
DIMENSIONS: mm		CHK	C RICHARD	3/21/05												
TOLERANCES UNLESS OTHERWISE SPECIFIED:		APVD	C RICHARD	3/21/05												
<table border="0"> <tr><td>0 PLC</td><td>± -</td></tr> <tr><td>1 PLC</td><td>± 0.3</td></tr> <tr><td>2 PLC</td><td>± 0.25</td></tr> <tr><td>3 PLC</td><td>± -</td></tr> <tr><td>4 PLC</td><td>± -</td></tr> <tr><td>ANGLES</td><td>± 2°</td></tr> </table>		0 PLC	± -	1 PLC		± 0.3	2 PLC	± 0.25	3 PLC	± -	4 PLC	± -	ANGLES	± 2°	NAME	
0 PLC	± -															
1 PLC	± 0.3															
2 PLC	± 0.25															
3 PLC	± -															
4 PLC	± -															
ANGLES	± 2°															
MATERIAL	SEE NOTES	FINISH	SEE NOTES	APPLICATION SPEC	---											
MATERIAL		WEIGHT		SIZE	CAGE CODE											
SEE NOTES		SEE NOTES		A3	00779											
CUSTOMER DRAWING				DRAWING NO	1776319											
SCALE				SHEET	REV											
NTS				1 of 1	P											