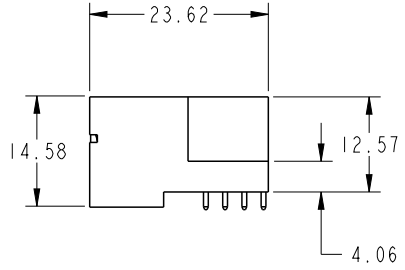
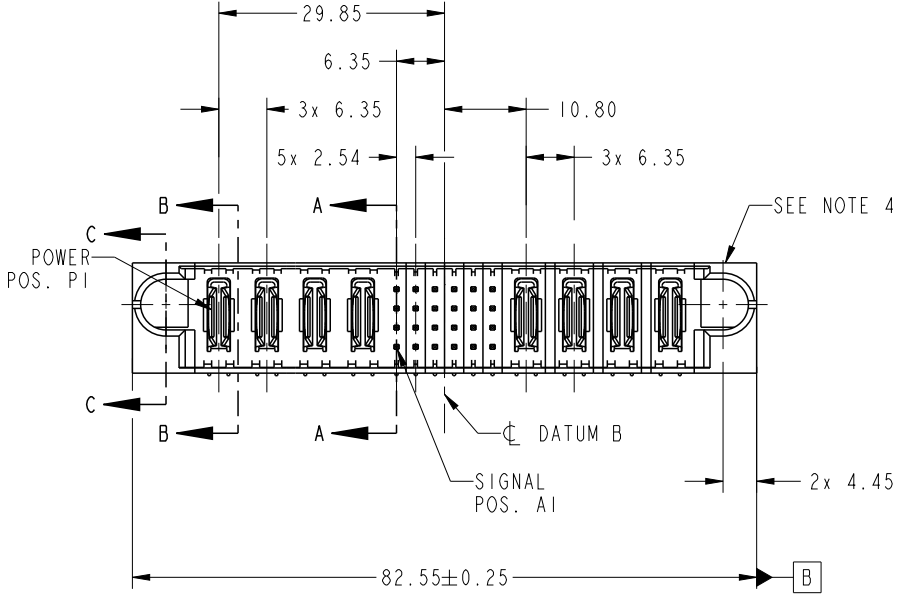


PRODUCT NO.	ROWS	POWER				SIGNAL						POWER									
		E1	P1	P2	P3	P4	1	2	3	4	5	6	P5	P6	P7	P8	E2				
51730-242LF	D C B A		PC	PC	PC	PC	V	V	V	V	V	V	V	V	V	V	PC	PC	PC	PC	

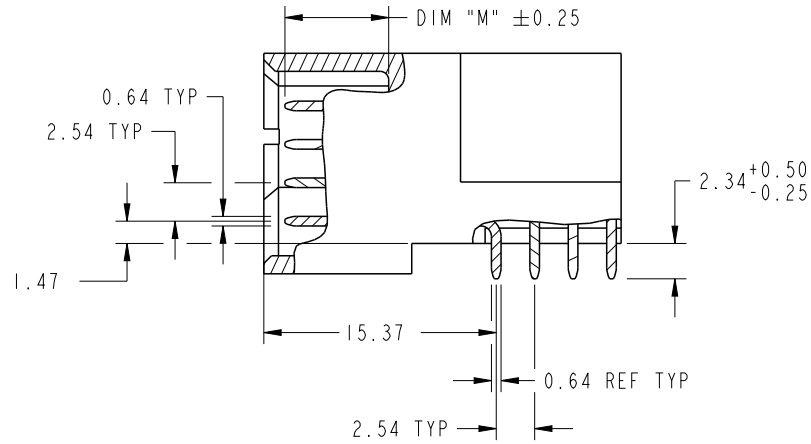


CODE	DIM "M" MATING LENGTH	CONTACT TYPE
V	[6.86]	SIGNAL
N	[6.86]	SIGNAL
P	[6.86]	SIGNAL
Q	[6.86]	SIGNAL
PC	[N/A]	POWER

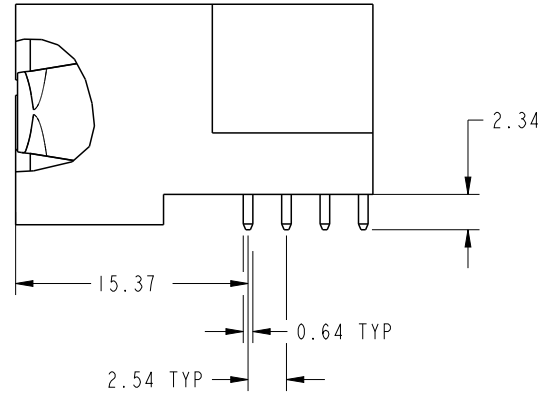
spec ref	See Notes		dr	Fang Qian	2016/03/09	projection 	MM ←→	size	A4	scale	1:1
tolerance std	TOLERANCES UNLESS OTHERWISE SPECIFIED		eng	Fang Qian	2016/03/17			ecn no	-		
See Notes			chr	Fancy Zhang	2016/03/16			rel level	Released		
surface	linear	0.X ±0.5 0.XX ±0.25 0.XXX ±0.1	appr	Pei-Ming Zheng	2016/03/17	product family	PwrBlade	rev	A		
	angular	0° ±2°	Amphenol FCi		part no	4P + 24S + 4P RIGHT ANGLE STB HEADER		dwg no	51730-242		
			cat. no.	-	Product - Customer Drw			sheet 1 of 4			

Creo File - REV E - 2016-02-12

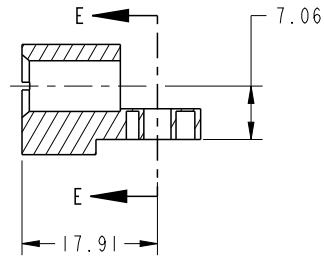
PRODUCT NUMBER  
51730-242LF



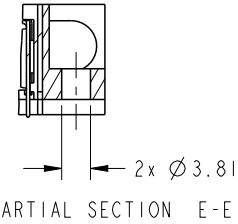
BROKEN-OUT SECTION A-A  
SCALE 2:1



BROKEN-OUT SECTION B-B  
SCALE 2:1

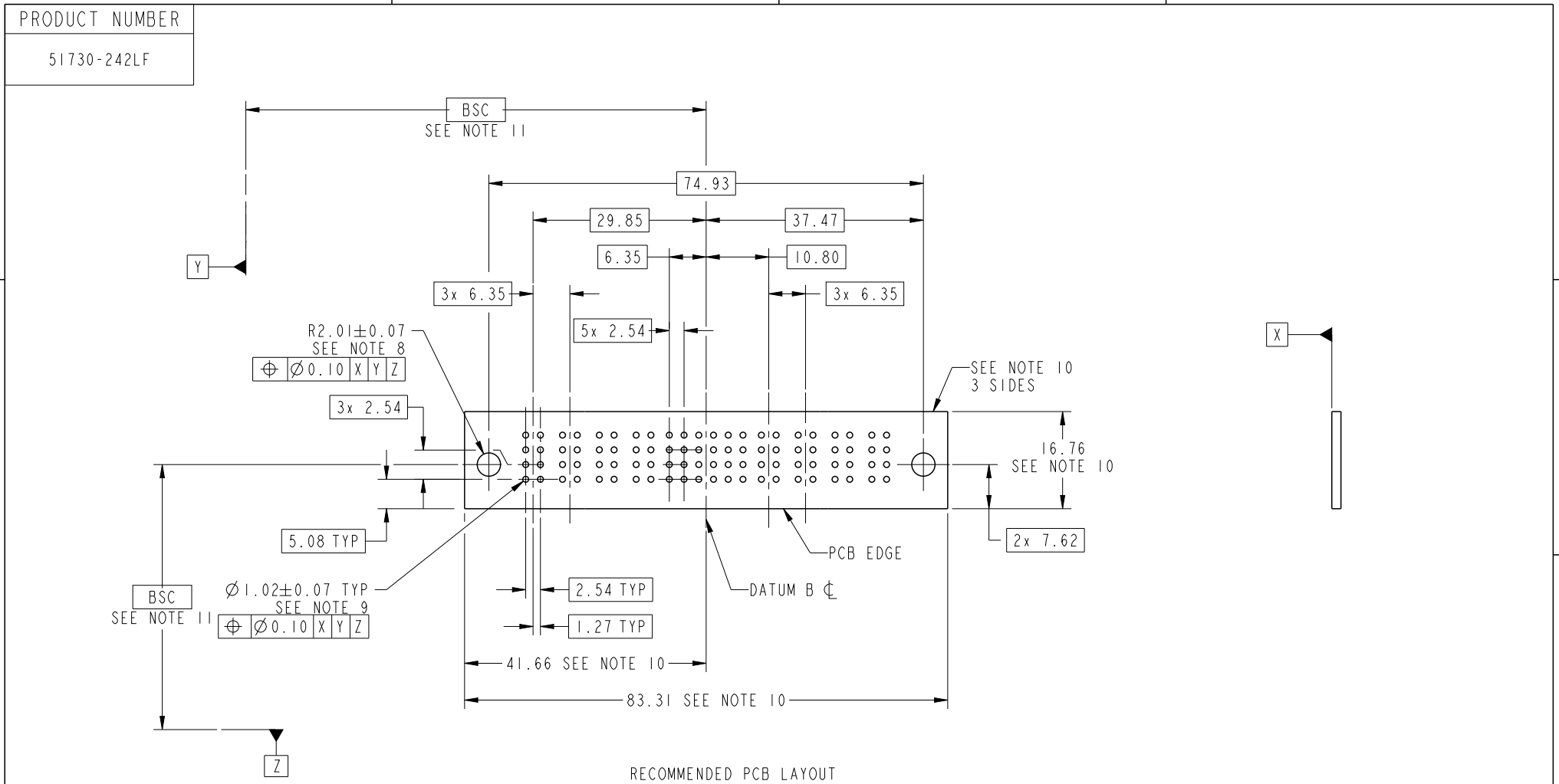


SECTION C-C



PARTIAL SECTION E-E

spec ref		See Notes		dr	Fang Qian	2016/03/09	projection 	MM ←→	size	A4	scale	1:1					
tolerance std		TOLERANCES UNLESS OTHERWISE SPECIFIED		eng	Fang Qian	2016/03/17			ecn no	-							
See Notes				chr	Fancy Zhang	2016/03/16											
surface		linear	0.X ±0.5	appr	Pei-Ming Zheng	2016/03/17	product family		PwrBlade	rel level		Released					
			0.XX ±0.25	Amphenol FCi		title		4P + 24S + 4P		dwg no		51730-242		rev		A	
			0.XXX ±0.1														
		angular	0° ±2°														



RECOMMENDED PCB LAYOUT

spec ref	See Notes			dr	Fang Qian	2016/03/09	projection 	MM 	size	A4	scale	1:1
tolerance std	TOLERANCES UNLESS OTHERWISE SPECIFIED			eng	Fang Qian	2016/03/17			ecn no	-		
See Notes				chr	Fancy Zhang	2016/03/16				rel level	Released	
surface	linear	0.X	±0.5	appr	Pei-Ming Zheng	2016/03/17	product family		PwrBlade			
		0.XX	±0.25				product family		PwrBlade			
	0.XXX	±0.1	Amphenol FCi				part no		4P + 24S + 4P		dwg no	51730-242
	angular	0°		±2°	RIGHT ANGLE STB HEADER		cat. no.		-			Product - Customer Drw

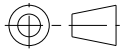

PRODUCT NUMBER  
51730-242LF

NOTES:

1. DIMENSIONS AND TOLERANCES ARE IN ACCORDANCE WITH ASME Y14.5M, 1994 UNLESS OTHERWISE SPECIFIED.

CONNECTOR NOTES:

- 2. HOUSING MATERIAL: UL 94 V-0 GLASS FILLED HIGH-TEMP THERMOPLASTIC  
POWER CONTACT MATERIAL: COPPER ALLOY  
SIGNAL PIN MATERIAL: COPPER ALLOY
  - 3. SEE FCI PLATING SPEC 10064183.
  - 4. MANUFACTURER'S NAME, DATE CODE AND OPTIONAL P/N TO APPEAR ON THIS SURFACE. THE MARK CAN BE OMITTED IF THERE IS NOT ENOUGH SPACE ON THIS SURFACE.
  - 5. PRODUCT SPECIFICATION GS-12-149.  
APPLICATION SPECIFICATION BUS-20-067.
  - 6. PACKAGED IN TRAYS.
- PCB NOTES:
- 7. ALL HOLE DIAMETERS ARE FINISHED HOLE SIZE.
  - 8. MOUNTING HOLES, WHERE APPLICABLE, ARE UNPLATED.
  - 9.  $\varnothing 1.151 \pm 0.025$  DRILLED HOLES PLATED WITH  
0.008 MIN SnPb OR Sn OVER 0.03  
TO 0.08 Cu PLATING TO ACHIEVE  
 $\varnothing 1.02 \pm 0.07$  HOLE.
  - 10. CONNECTOR KEEP-OUT ZONE.
  - 11. DATUM AND BASIC DIMENSIONS ARE ESTABLISHED BY CUSTOMER.

spec ref		See Notes		dr	Fang Qian	2016/03/09	projection 	MM 	size	A4	scale	1:1	
tolerance std		TOLERANCES UNLESS OTHERWISE SPECIFIED		eng	Fang Qian	2016/03/17			ecn no	-			
See Notes				chr	Fancy Zhang	2016/03/16			product family	PwrBlade		rel level	Released
surface	linear	0.X	$\pm 0.5$	Amphenol FCi	title	4P + 24S + 4P RIGHT ANGLE STB HEADER		dwg no	51730-242		rev	A	
		0.XX	$\pm 0.25$										
		0.XXX	$\pm 0.1$										
	angular	0°	$\pm 2^\circ$	cat. no.	-	Product - Customer Drw		sheet 4 of 4					