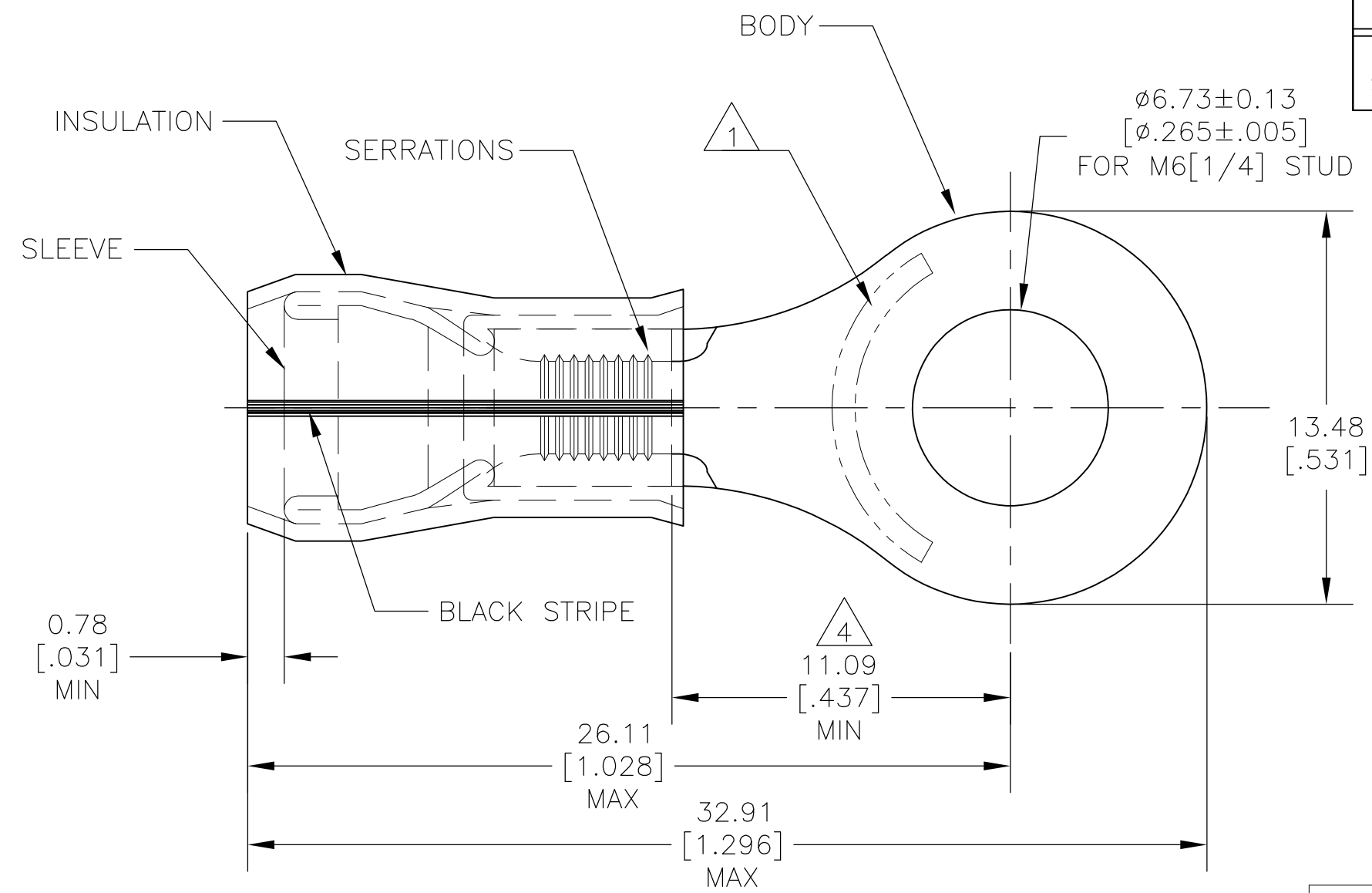


THIS DRAWING IS UNPUBLISHED. RELEASED FOR PUBLICATION
 © COPYRIGHT - By - ALL RIGHTS RESERVED.

LOC	DIST	REVISIONS			
P	LTR	DESCRIPTION	DATE	DWN	APVD
G	14	E	REVISED PER ECO-14-015277	25FEB2015	NK DR

AMP WIRE RANGE	E13288 Listed	LR7189 Certified
16-14 AWG SOLID OR STRANDED	16-14 AWG SOLID OR STRANDED	16-14 AWG SOLID OR STRANDED



- 1 STAMP "AMP 16-14HD *".
- 2 FOR 3.81 [.150]-5.84 [.230] WIRE INSULATION DIA.
- 3 TONGUE MATL THK IS 1.22 ± 0.05 [.048 ± 0.002].
- 4 APPLIES FROM THE METAL EDGE OF THE BARREL TO THE CENTER OF THE STUD.

QTY	PACKAGE TYPE	MATERIAL & FINISH	PART NO
1	327743 ON TAPE	BODY & SLEEVE: COPPER PER ASTM B-152 TIN PL PER ASTM B-545	1-327743-1
1	LOOSE PIECE	INSULATION: NYLON - YELLOW (MIL-M-20693) TYPE I	327743

AMP INCORPORATED CUSTOMER SERVICE SYSTEMS	
FOR ADDITIONAL PRODUCT INFORMATION OR COPIES OF DRAWINGS AND TECHNICAL DOCUMENTS	PRODUCT INFORMATION CENTER 1-800-522-6752
FOR APPLICATION TOOLING INFORMATION	TOOLING ASSISTANCE CENTER 1-800-722-1111
FOR ORDER ENTRY	1-800-526-5142

MAX RECOMMENDED OPERATING TEMPERATURE: 105°C [221°F]
VOLTAGE RATING: 300 V MAX
CIRCULAR MIL AREA: 1.04-2.62mm² [2,050-5,180] SOLID OR STRANDED

THIS DRAWING IS A CONTROLLED DOCUMENT.	
DIMENSIONS: MM [INCHES]	TOLERANCES UNLESS OTHERWISE SPECIFIED:
	0 PLC ± -
	1 PLC ± -
	2 PLC ± -
	3 PLC ± -
	4 PLC ± -
	ANGLES ± 5'
MATERIAL	FINISH
-	-

DWN jr_ruth 24JUL09	TE Connectivity			
CHK TOM MICHIELUTTI 24JUL09				
APVD TOM MICHIELUTTI 24JUL09				
PRODUCT SPEC				
NAME	RING TONGUE, PIDG, WIRE SIZE: 16-14HD			
APPLICATION SPEC	SIZE	CAGE CODE	DRAWING NO	RESTRICTED TO
WEIGHT	-	A300779	C-327743	-
CUSTOMER DRAWING		SCALE	SHEET	REV
		8:1	1 OF 1	E