

5

4

3

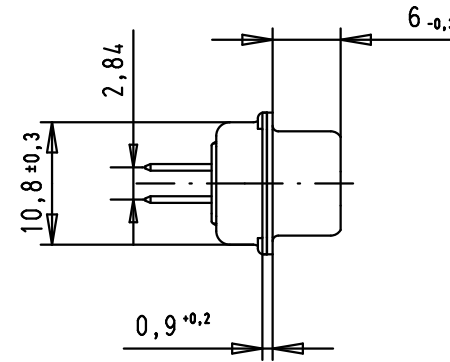
2

1

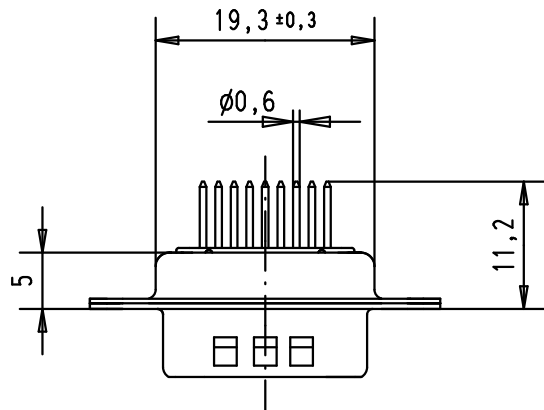
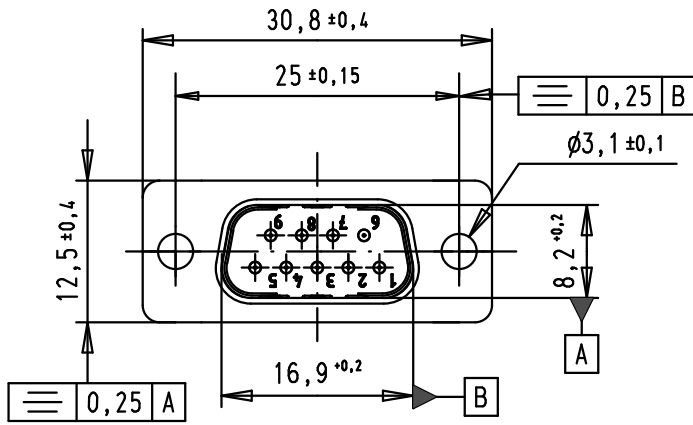
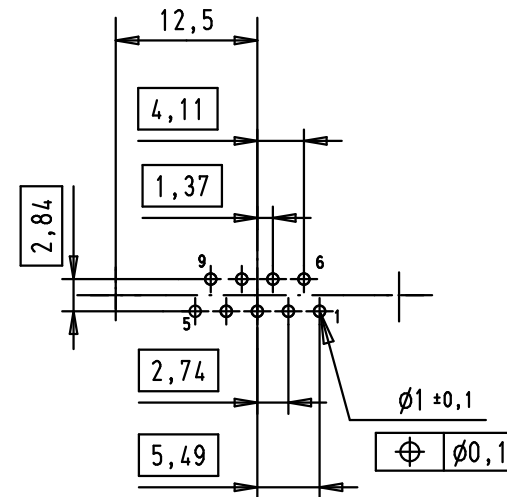
### SPECIFICATION

Perormance level	PL2
Filter type	C
Capacitance	3900pf±20%
Working Voltage	100v
Current Rating	7.5A
Insulation Resistance	>1GΩ

FREQUENCY (MHz)	ATTENUATION (dB)
5	6dB
10	11dB
50	25dB
100	35dB
500	35dB
1000	32dB



PCB Layout, Component side



				Dat.	Name	 All Dim. in mm Orig. Size DIN A 4
			Detail.	8-JUL-02	CV	
			Insp.	09/12/11	JB	
36283	09/12/11	SD	Stand.			
33241	14/10/05	JMDR	HARTING EURL F-95972 Paris			
31058	8-JUL-02	CV				
Mod.	Dat.	Name				

D-Sub, male, straight,  
9 Poles, solder pins,  
dimples and fixing holes

Ma?Mstab/  
Scale  
1.5:1

TB 09641227240

Blatt/ Page  
1 / 1

Sub.

D

C

B

A