

PPC-3151

15" Fanless Panel PC with Intel® Core™ i5-6300U Processor



Features

- 15" XGA TFT LCD flat panel with projected capacitive (default) or resistive (optional) touchscreen
- Intel® Core™ i5-6300U (default)/i7/i3 (optional) processor with fanless system design
- Supports either 1 x PCIe x4 or PCI
- 1 x M.2 bay (2242) for storage only
- 1 x isolated RS-422/485 with auto flow
- Wide power input range (9 ~ 32 V_{DC})
- Dual Gigabit Ethernet, IEEE1588 compliant
- 3 x Independent displays
- Supports VESA 75 mounting interface

Introduction

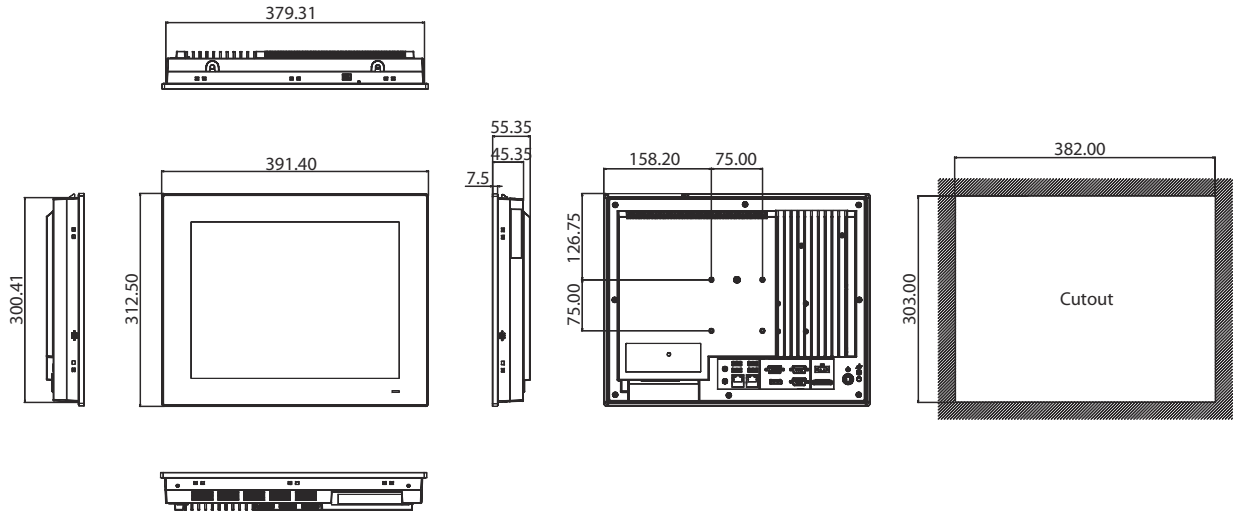
The PPC-3151 is a next-generation panel PC featuring a 15" TFT XGA display with 1024 x 768 resolution. Powered by a high-performance Intel® Core™ i5-6300U processor, the system's high-efficiency fanless thermal design allows heat to dissipate rapidly. By combining high performance with reliability, PPC-3151 provides a superior human-machine interface. Rich I/O including 3 x COM, 4 x USB 3.0, and dual Gigabit Ethernet facilitate device connectivity and system integration. The inclusion of a PCIe/PCI slot for fieldbus or proprietary card expansion increases the system's suitability for diverse applications. Finally, the multi-touch screen ensures convenient and intuitive operation for the optimal user experience.

Specifications

Model	PPC-3151-650AE	
Processor	CPU	Intel® Core™ i5-6300U (dual core)
	Frequency	2.4 GHz, turbo boost up to 3.0 GHz
	Smart Cache	3 MB
	Memory	1 x SODIMM, DDR4 1866/2133, max. 16 GB (1.2V)
	Storage	1 x 2.5" SATA bay 1 x M.2 bay (size: 22 x 42 mm, socket 2 B key, for storage only)
	Network (LAN)	2 x 10/100/1000 Mbps Ethernet (Intel® I211AT/I210AT; Intel® I219LM)
	I/O	3 x Serial ports (2 x RS-232, 1 x RS-422/485 with 1K V _{DC} isolation) 4 x USB 3.0 ports at rear 1 x Line-Out, 1 x Mic-In 1 x DB15 VGA 1 x DisplayPort (1.2)
	Expansion	1 x Mini PCIe 1 x PCIe x 4 (Default); 1 x PCI (in the accessory box) Optional: 1 x Cfast, 1 x CF card, 1 x internal USB dongle, 2 x RS-232 or 1 x RS-232 + 1 x GPIO
	Watchdog Timer	255 timer levels, setup via software
	Speaker	2 x 1W
Physical Characteristics	Dimensions	391.4 x 312.5 x 55.35 mm (15.41 x 12.3 x 2.18 in)
	Weight	5.4 kg (11.90 lb)
OS Support	OS	Microsoft® Windows 7(32/64-bit), WES7P(64-bit), Win 10(64-bit), Win10 IOT LTSC, Linux
Power Consumption	Input Voltage	9 ~ 32 V _{DC}
	Power Consumption	i5-6300U: 60W (Burn-in test 7.0 in Windows 7, 64 bit)
LCD Panel	Display Type	15" TFT LED panel
	Max. Resolution	1024 x 768
	Viewing Angle	88° (left), 88° (right), 88° (up), 88° (down)
	Luminance (cd/m ²)	500
	Contrast Ratio	2,500
	Backlight Lifetime	70,000 hr
Touchscreen	Touch Type	Projected capacitive 10-point multi-touch
	Light Transmission	85% ± 3%
	Controller	USB interface
Environment	Operating Temperature	0 ~ 50 °C (32 ~ 122 °F) for SSD, 0 ~ 45 °C (32 ~ 113 °F) for HDD
	Storage Temperature	-40 ~ 60 °C (-40 ~ 140 °F)
	Relative Humidity	10 ~ 95% @ 40 °C (non-condensing)
	Shock	Operating 10 G peak acceleration (11 ms duration), IEC 60068-2-27 compliant
	Vibration	Operating random vibration test 5 ~ 500Hz, 1 Grms with HDD; 2 Grms with SSD, IEC 60068-2-64 compliant
	EMC	CE,FCC Class B,EN 61000-6-2,BSMI,UKCA
	Safety	CB,UL,CCC,UKCA
	Front Panel Protection	IP66 compliant

Dimensions

Unit: mm

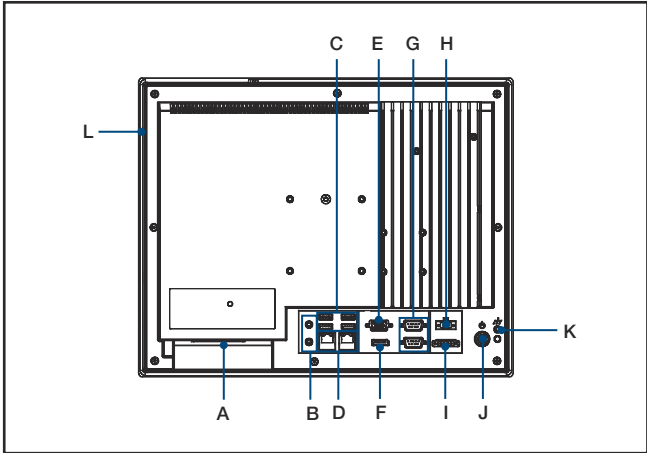


Panel Cutout Dimensions: 382 x 303 mm (15.03 x 11.92 in)

Ordering Information

Part Number	Description
PPC-3151-650AE	15" PPC w/Intel Core i5-6300U, P-CAP, assembled in China
PPC-3151-650AU	15" PPC w/Intel Core i5-6300U, P-CAP, assembled in Taiwan
96PSA-A90W190T-3	Power adapter 100-240V 90W 19V
1700001524	Power cable 3P UL 10A 125V, 180 cm
170203183C	Power cable 3P Europe (WS-010+083) 183 cm
1700008921	Power cable 3P/3P power supply 1.8M PSE
96CB-POWER-B-1.8MB	Power code 3P CCC(China) 1.8M
PPC-174T-WL-MTE	Wall mount kit for PPC series
PPC-STAND-A1E	Stand for PPC series
PPC-ARM-A03	ARM VESA Standard for PPC series
PPC-WLAN-D1	M.2, WiFi6 +BT5.2, 2T2R, w/Antenna, Mini PCIe adapter
98R3C31500E	PPC-315/317/319 internal USB dongle kits
98R3C31510E	PPC-3150/3170 install CF card kits
98R3C31520E	PPC-3150/PPC-3170 CFAST card kits
98R3C31530E	Additional ports module (either two RS-232 or one RS-232 and one GPIO port)
98R3P321110	TPM 2.0 module

I/O View



- A. PCIe x 4/PCI expansion
- B. Line-Out/Mic-In
- C. 4 x USB 3.0
- D. 2 x GigaLAN
- E. VGA
- F. DP
- G. 2 x RS232
- H. DC power input
- I. 1 x RS422/485
- J. Power button
- K. Grounding screw
- L. Optional modules

Please note: If some optional modules are offered with the system, additional system certificates may be required in certain regions/countries. Please contact Advantech for certificate compliance.