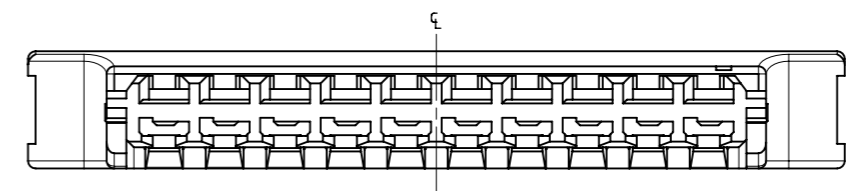
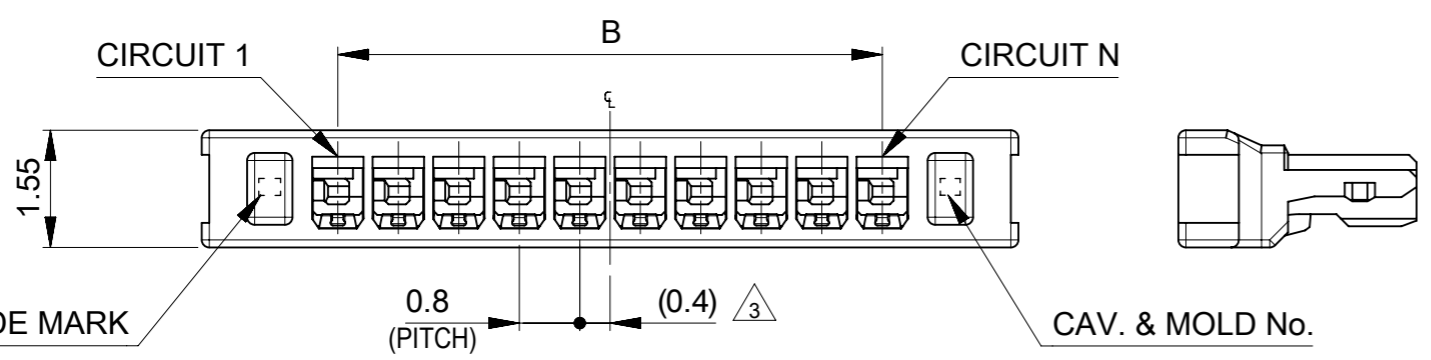
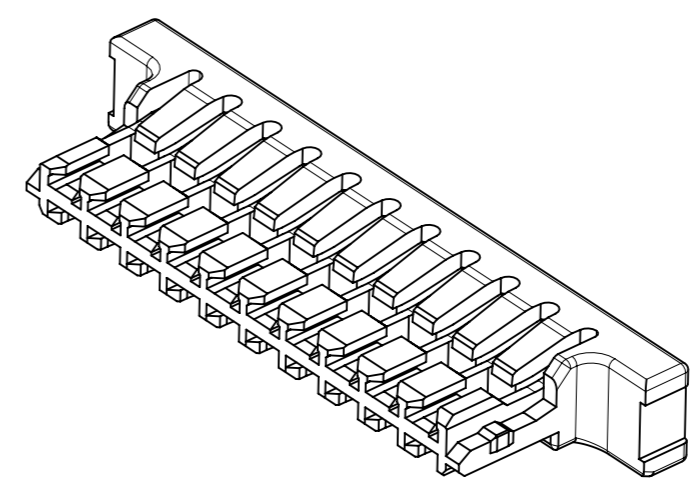


CIRCUIT 1 INDICATOR MARK



| | | |
|------|------|--------------------|
| 15.2 | 18.8 | 20 |
| 14.4 | 18.0 | 19 |
| 13.6 | 17.2 | 18 |
| 12.8 | 16.4 | 17 |
| 12.0 | 15.6 | 16 |
| 11.2 | 14.8 | 15 |
| 10.4 | 14.0 | 14 |
| 9.6 | 13.2 | 13 |
| 8.8 | 12.4 | 12 |
| 8.0 | 11.6 | 11 |
| 7.2 | 10.8 | 10 |
| 6.4 | 10.0 | 9 |
| 5.6 | 9.2 | 8 |
| 4.8 | 8.4 | 7 |
| 4.0 | 7.6 | 6 |
| 3.2 | 6.8 | 5 |
| 2.4 | 6.0 | 4 |
| 1.6 | 5.2 | 3 |
| 0.8 | 4.4 | 2 |
| B | A | 極数 CIRCUIT SIZE |

NOTES

- △1 材料：TABLE 1参照
MATERIAL：SEE TABLE 1
- △2 製品仕様書、コネクタ取扱説明書、適合嵌合相手、適合ターミナルはSHEET2を御参照下さい
PLEASE REFER TO SHEET 2 FOR PRODUCT SPECIFICATION, APPLICATION SPECIFICATION, APPLY MATE PARTNER, APPLY TERMINAL
- △3 極数/2 = 偶数に適応
APPLY FOR CIRCUIT SIZE / 2 = EVEN
- 4. 本製品のプラスチック部に黒点、白点等が確認される場合や色合いが異なる場合がありますが、製品機能に影響はありません。
THERE IS NO INFLUENCE IN THE PRODUCT PERFORMANCE THOUGH THE BLACK AND WHITE SPOT ETC. MIGHT BE CONFIRMED TO THE PLASTIC PART OF THIS PRODUCT AND THE SHADE MIGHT BE DIFFERENT.
- △5 発注番号：SHEET2参照
ORDER No.：PLEASE REFER TO SHEET 2 FOR PRODUCT LIST.

214719 2 * * 0

↑ シリーズ番号 SERIES NO. ↑ 極数 CIRCUIT SIZE

△1 TABLE 1

| 部品 PART | 材質 MATERIAL |
|---------------|--|
| ハウジング HOUSING | 液晶ポリマー(LCP), UL94 V-0, LOW HALOGEN, 黒 LIQUID CRYSTAL POLYMER(LCP) UL94 V-0, LOW HALOGEN, COLOR : BLACK |

| | | | | |
|-----------------|----|--------------|------------|----------|
| DOCUMENT STATUS | P1 | RELEASE DATE | 2022/01/28 | 07:34:46 |
|-----------------|----|--------------|------------|----------|

THIS DRAWING CONTAINS INFORMATION THAT IS PROPRIETARY TO MOLEX ELECTRONIC TECHNOLOGIES, LLC AND SHOULD NOT BE USED WITHOUT WRITTEN PERMISSION

| | | | | | | |
|--|---------|-----------------------------|---------|--|-----------------|----------|
| DIMENSION UNITS | SCALE | CURRENT REV DESC: | | molex | | |
| mm | NTS | | | | | |
| GENERAL TOLERANCES (UNLESS SPECIFIED) | | EC NO: 693607 | | ZERO-HACHI 0.8WTB CRIMP HSG SINGLE ROW | | |
| ANGULAR TOL | ± 3.0 ° | DRWN: HKOBAYASHI 2021/07/07 | | PRODUCT CUSTOMER DRAWING | | |
| 4 PLACES | ± 0.2 | CHK'D: AIDA 2022/01/28 | | DOCUMENT NUMBER | | |
| 3 PLACES | ± 0.2 | APPR: SAKIYAMA 2022/01/28 | | 2147190000-SD | | |
| 2 PLACES | ± 0.2 | INITIAL REVISION: | | DOC TYPE | DOC PART | REVISION |
| 1 PLACE | ± 0.2 | DRWN: HKOBAYASHI 2021/07/07 | | PSD | 000 | A |
| 0 PLACES | ± 0.2 | APPR: SAKIYAMA 2022/01/28 | | SHEET NUMBER | | |
| DRAFT WHERE APPLICABLE MUST REMAIN WITHIN DIMENSIONS | | THIRD ANGLE PROJECTION | DRAWING | SERIES | MATERIAL NUMBER | CUSTOMER |
| | | | A3-SIZE | 214719 | | GENERAL |

△ 2 適合製品及び各種仕様書

APPLICABLE PRODUCTS AND VARIOUS SPECIFICATIONS

| | | |
|----------------------------------|---------------------------|--|
| 梱包仕様書 PACKAGING SPECIFICATION | PART NUMBER 2147192**0 | SPECIFICATION NUMBER 2147199200-SPK 200 |
|----------------------------------|---------------------------|--|

| | | | |
|-----------------------------|---------------------------|---------------------|-----------------------------|
| 適合端子 APPLICABLE TERMINAL | PART NUMBER 2147205000 | PLATING TYPE TIN | WIRE SIZE(AWG) #28 - #30 |
| | 2147205001 | | #30 - #32 |

| | |
|--|-------------------|
| 適合嵌合相手 MATE WITH | SMT |
| | TIN PLATING |
| | RIGHT ANGLE |
| シリーズ番号 SERIES No. | 214721 |
| 製品仕様書 PRODUCT SPECIFICATION | 2147190000-PS 000 |
| コネクタ取扱説明書 APPLICATION SPECIFICATION | 2166940000-AS 000 |

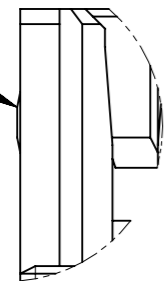
製品嵌合図は嵌合相手図面参照のこと
MATING VIEW: REFER "MATE WITH" PART DRAWING.

△ 5 製品一覧
PRODUCT LIST

| HOUSING COLOR | | |
|------------------------------------|------|-------------------|
| BLACK | | |
| 214719 | 2200 | 20 |
| 214719 | 2190 | 19 |
| 214719 | 2180 | 18 |
| 214719 | 2170 | 17 |
| 214719 | 2160 | 16 |
| 214719 | 2150 | 15 |
| 214719 | 2140 | 14 |
| 214719 | 2130 | 13 |
| 214719 | 2120 | 12 |
| 214719 | 2110 | 11 |
| 214719 | 2100 | 10 |
| 214719 | 2090 | 9 |
| 214719 | 2080 | 8 |
| 214719 | 2070 | 7 |
| 214719 | 2060 | 6 |
| 214719 | 2050 | 5 |
| 214719 | 2040 | 4 |
| 214719 | 2030 | 3 |
| 214719 | 2020 | 2 |
| オーダー番号 ORDER No. | | 極数 CIRCUIT No. |
| 梱包形態 : ポリ袋 PACKAGING : POLY BAG | | |

極数別ロック形状
LOCK SHAPE

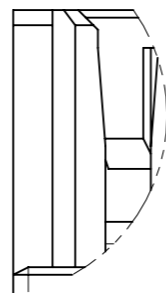
SIDE LOCK FOR
2-10 CIRCUIT



DETAIL Z
SCALE 20:1



2-10極形状
FIGURE OF 2-10 CIRCUIT



DETAIL Y
SCALE 20:1



11-20極形状
FIGURE OF 11-20 CIRCUIT

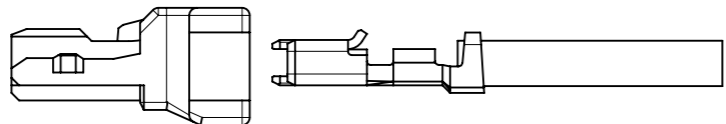
| | | | | | | | | | |
|---|--|--------------|--|------------------------|--|-------------------|--|-----------------|--|
| THIS DRAWING CONTAINS INFORMATION THAT IS PROPRIETARY TO MOLEX ELECTRONIC TECHNOLOGIES, LLC AND SHOULD NOT BE USED WITHOUT WRITTEN PERMISSION | | | | | | | | | |
| DIMENSION UNITS mm | | SCALE NTS | | CURRENT REV DESC: | | | | | |
| GENERAL TOLERANCES (UNLESS SPECIFIED) | | | | EC NO: 693607 | | | | | |
| ANGULAR TOL ± 3.0 ° | | | | 4 PLACES ± 0.2 | | DRWN: HKOBAYASHI | | 2021/07/07 | |
| 3 PLACES ± 0.2 | | | | 3 PLACES ± 0.2 | | CHK'D: AIDA | | 2022/01/28 | |
| 2 PLACES ± 0.2 | | | | 2 PLACES ± 0.2 | | APPR: SAKIYAMA | | 2022/01/28 | |
| 1 PLACE ± 0.2 | | | | 1 PLACE ± 0.2 | | INITIAL REVISION: | | DOCUMENT NUMBER | |
| 0 PLACES ± 0.2 | | | | 0 PLACES ± 0.2 | | DRWN: HKOBAYASHI | | 2021/07/07 | |
| DRAFT WHERE APPLICABLE MUST REMAIN WITHIN DIMENSIONS | | | | THIRD ANGLE PROJECTION | | DRAWING | | SERIES | |
| | | | | A3-SIZE | | 214719 | | 2147190000-SD | |
| | | | | GENERAL | | CUSTOMER | | SHEET NUMBER | |
| | | | | | | | | 2 OF 3 | |

圧着端子挿入時の注意点 CAUTION WHEN INSERTING A CRIMP TERMINAL

製品機能を維持するため、圧着端子を下図斜め上方向に挿入しないで下さい。
TO MAINTAIN THE PRODUCT FUNCTION, DO NOT INSERT THE CRIMP TERMINAL DIAGONALLY UPWARD

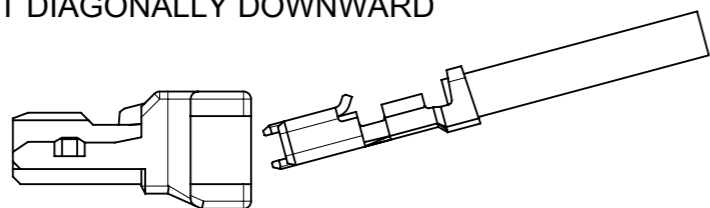
○ Good

水平方向
INSERT STRAIGHT



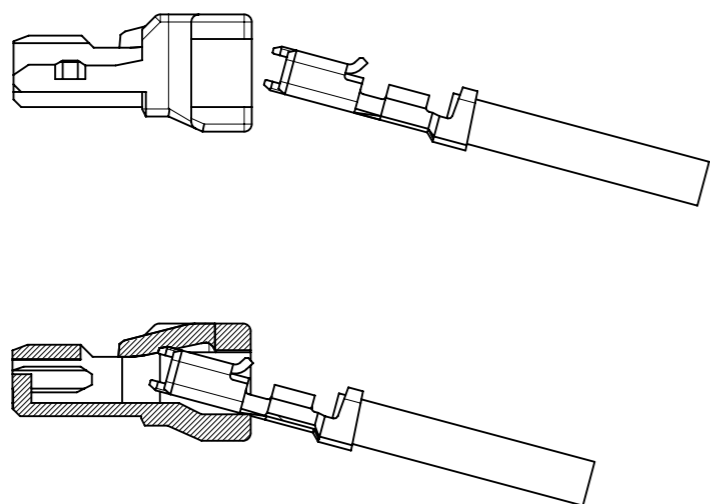
○ Good

斜め下方向
INSERT DIAGONALLY DOWNWARD

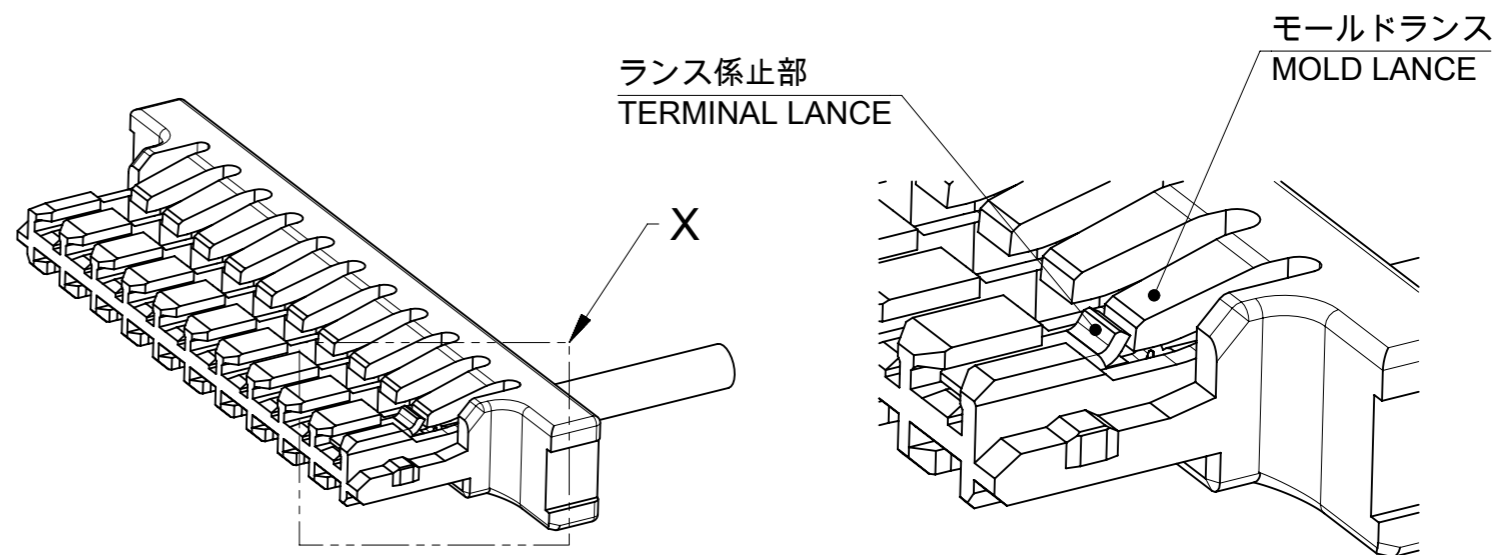
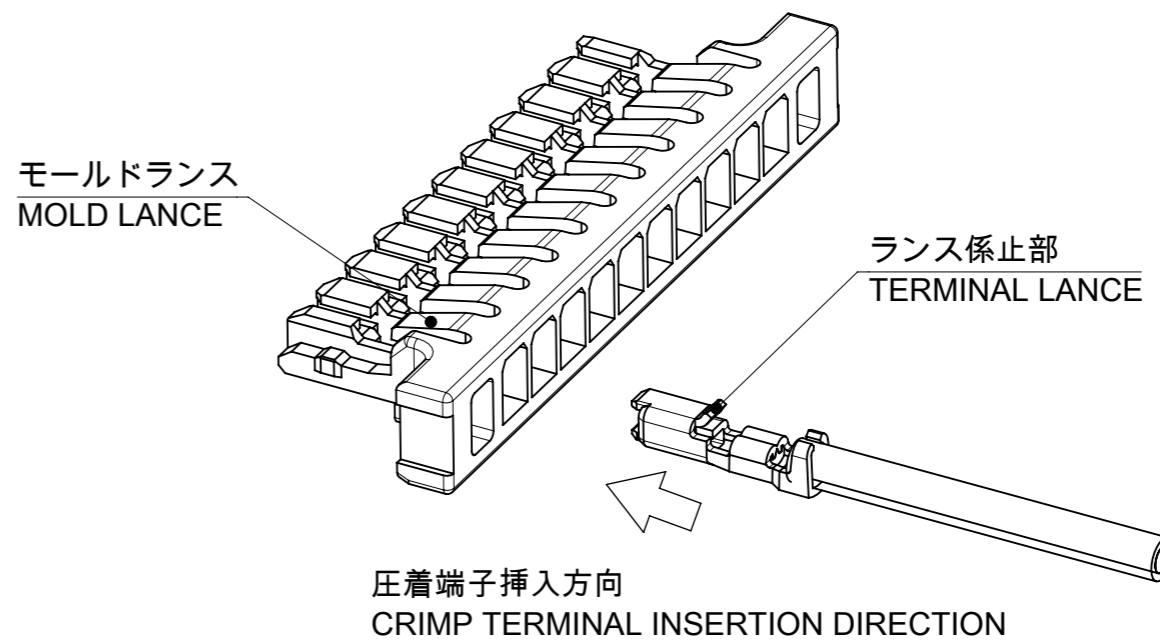


× Not good

斜め上方向
INSERT DIAGONALLY UPWARD



斜め上方向に圧着端子を挿入すると
モールドランスが破損する可能性があります。
IF THE CRIMP TERMINAL IS INSERTED DIAGONALLY UPWARD, THERE MIGHT BE POSSIBILITY OF THE MOLD LANCE DAMAGED.



圧着端子ランス係止部がハウジングのモールドランスに掛かっている事をご確認ください。
MAKE SURE THAT THE TERMINAL LANCE IS CAUGHT BY THE MOLD LANCE OF HOUSING

DETAIL X
SCALE 20:1

| | | | | | | | | | |
|---|--|---------|--|-------------------|--|-----------------|--|-----------------|--|
| THIS DRAWING CONTAINS INFORMATION THAT IS PROPRIETARY TO MOLEX ELECTRONIC TECHNOLOGIES, LLC AND SHOULD NOT BE USED WITHOUT WRITTEN PERMISSION | | | | | | | | | |
| DIMENSION UNITS | | SCALE | | CURRENT REV DESC: | | | | molex | |
| mm | | NTS | | | | | | | |
| GENERAL TOLERANCES (UNLESS SPECIFIED) | | | | | | | | | |
| ANGULAR TOL ± 3.0° | | | | | | | | | |
| 4 PLACES ± 0.2 | | | | | | | | | |
| 3 PLACES ± 0.2 | | | | | | | | | |
| 2 PLACES ± 0.2 | | | | | | | | | |
| 1 PLACE ± 0.2 | | | | | | | | | |
| 0 PLACES ± 0.2 | | | | | | | | | |
| DRAFT WHERE APPLICABLE MUST REMAIN WITHIN DIMENSIONS | | | | | | | | | |
| THIRD ANGLE PROJECTION | | DRAWING | | SERIES | | MATERIAL NUMBER | | CUSTOMER | |
| | | A3-SIZE | | 214719 | | 2147190000-SD | | GENERAL | |
| EC NO: 693607 | | | | DRWN: HKOBAYASHI | | 2021/07/07 | | DOCUMENT NUMBER | |
| 3 PLACES ± 0.2 | | | | CHK'D: AIDA | | 2022/01/28 | | DOC TYPE | |
| 2 PLACES ± 0.2 | | | | APPR: SAKIYAMA | | 2022/01/28 | | DOC PART | |
| 1 PLACE ± 0.2 | | | | INITIAL REVISION: | | | | REVISION | |
| 0 PLACES ± 0.2 | | | | DRWN: HKOBAYASHI | | 2021/07/07 | | A | |
| | | | | APPR: SAKIYAMA | | 2022/01/28 | | | |
| DOCUMENT STATUS | | P1 | | RELEASE DATE | | 2022/01/28 | | 07:34:46 | |