

## SLIC Subscriber Line Interface Circuit

### Features

- Monolithic Integrated Device
- DI High Voltage Process
- Compatible With Worldwide PBX Performance Requirements
- Controlled Supply of Battery Feed Current for Short Loops (30mA)
- Internal Ring Relay Driver
- Low Power Consumption During Standby
- Switch Hook, Ground Key and Ring Trip Detection Functions
- Selective Denial of Power to Subscriber Loops

### Applications

- Solid State Line Interface Circuit for Analog and Digital PBX Systems
- Direct Inward Dial (DID) Trunks
- Voice Messaging PBX's

### Description

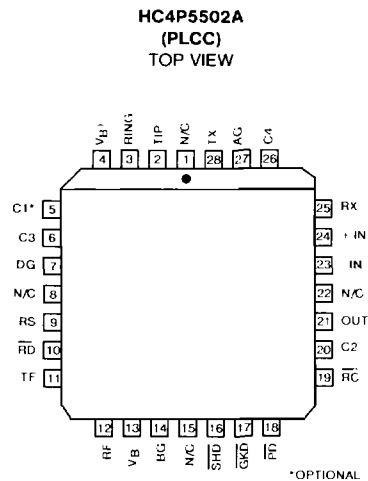
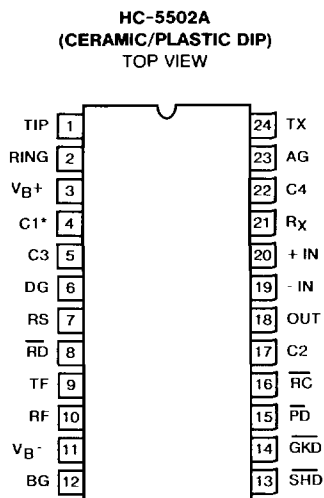
The Harris SLIC incorporates many of the BORSHT function on a single IC chip. This includes DC battery feed, a ring relay driver, supervisory and hybrid functions. This device is designed to maintain transmission performance in the presence of externally induced longitudinal currents. Using the unique Harris dielectric isolation process, the SLIC can operate directly with a wide range of station battery voltages.

The SLIC also provides selective denial of power. If the PBX system becomes overloaded during an emergency, the SLIC will provide system protection by denying power to selected subscriber loops.

The Harris SLIC is ideally suited for the design of new digital PBX systems, by eliminating bulky hybrid transformers.

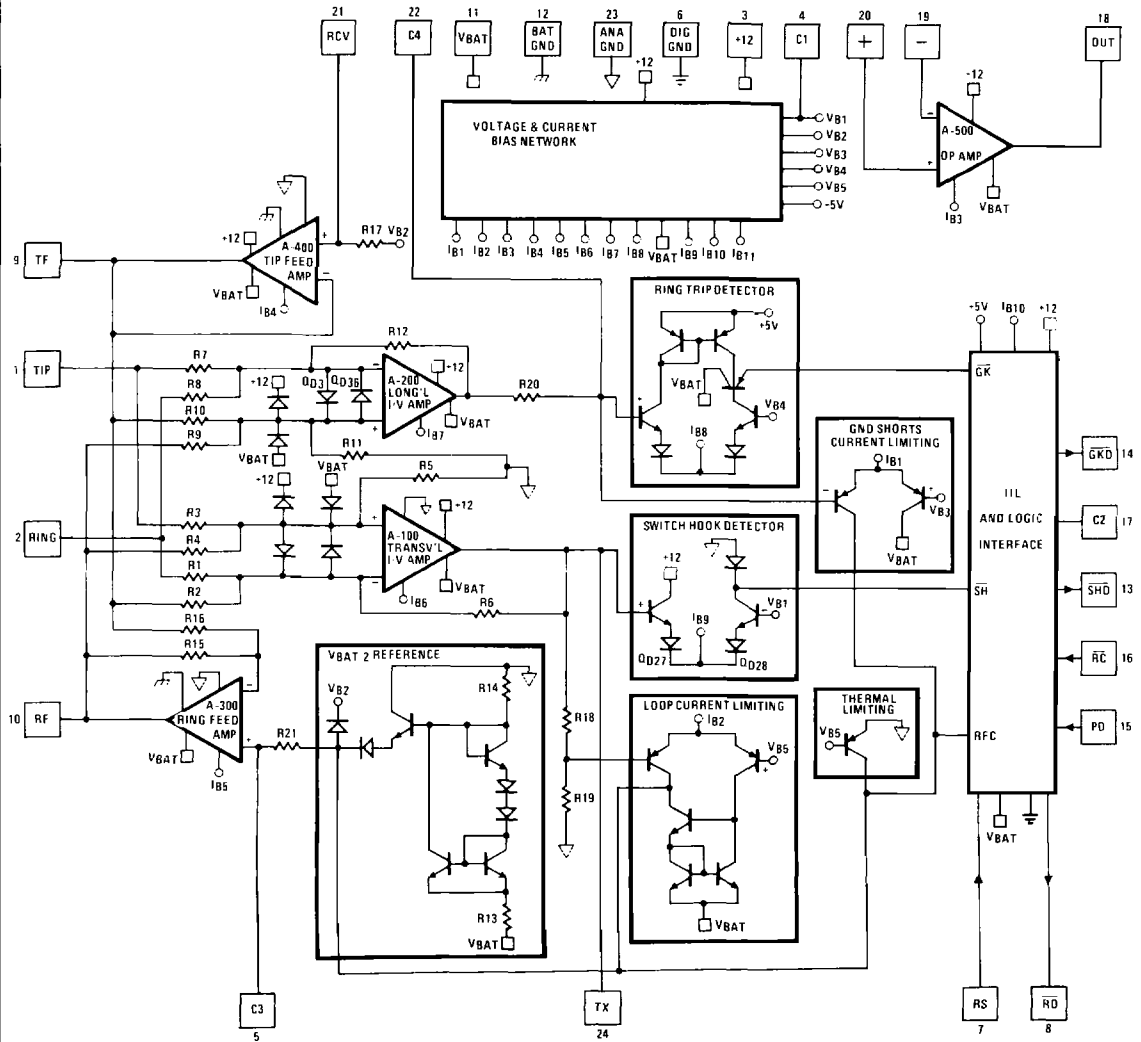
SLIC is available in either a 24 pin Dual-in-Line Plastic or Ceramic package, and a 28 pin PLCC package. The SLIC is also available as unpackaged die.

### Pinouts



# HC-5502A

## Schematic



HC-5502A SLIC FUNCTIONAL SCHEMATIC.

### Die Characteristics

Transistor Count .....	181
Diode Count .....	27
Die Dimensions .....	169 x 112
Substrate Potential .....	Unconnected
Process .....	Bipolar-DI
Thermal Constants (°C/W)	$\theta_{ja}$ $\theta_{jc}$
Ceramic DIP	51      16
Plastic DIP	52      24

# Specifications HC-5502A

HC-5502A

## Absolute Maximum Ratings (Note 1)

Maximum Continuous Supply Voltages	(V <sub>B-</sub> ) . . . . . -60 to +0.5 V
	(V <sub>B+</sub> ) . . . . . -0.5 to +15 V
	(V <sub>B+</sub> - V <sub>B-</sub> ) . . . . . 75V
Relay Drive Voltage (V <sub>RD</sub> )	. . . . . -0.5 to +15V
Storage Temperature Range	. . . . . -65°C to +150°C
Junction Temperature	. . . . . +175°C

## Recommended Operating Conditions

Relay Driver Voltage (V <sub>RD</sub> )	. . . . . +5 to +12V
Positive Supply Voltage (V <sub>B+</sub> )	. . . . . 10.8 to 13.2V
Negative Supply Voltage (V <sub>B-</sub> )	. . . . . -42 to -58V
Minimum High Level Logic Input Voltage	. . . . . 2.4V
Maximum Low Level Logic Input Voltage	. . . . . 0.6V
Loop Resistance (R <sub>L</sub> )	. . . . . 200 to 1200 Ohms
Operating Temperature Range	
HC-5502A-5,-7	. . . . . 0°C to +75°C
HC-5502A-9	. . . . . -40°C to +85°C

## Electrical Specifications

V<sub>B-</sub> = -48V, V<sub>B+</sub> = +12V. AG = BG = DG = 0V, Unless Otherwise Noted.

Typical Parameters +25°C. Min-Max Parameters are Over Operating Temperature Range.

PARAMETER	CONDITIONS	MIN	TYP	MAX	UNITS
On Hook Power Dissipation	I <sub>Long</sub> = 0	-	135	174	mW
Off Hook Power Dissipation	R <sub>LINE</sub> = 600 Ohms, I <sub>Long</sub> = 0	-	450	580	mW
Off Hook IB+	R <sub>LINE</sub> = 600 Ohms, I <sub>Long</sub> = 0 @ -40°C	-	-	5.0	mA
Off Hook IB+	R <sub>LINE</sub> = 600 Ohms, I <sub>Long</sub> = 0 @ +25°C	-	-	4.3	mA
Off Hook IB-	R <sub>LINE</sub> = 600 Ohms, I <sub>Long</sub> = 0	-	-	38	mA
Off Hook Loop Current	R <sub>LINE</sub> = 1200 Ohms, I <sub>Long</sub> = 0	-	21	-	mA
Off Hook Loop Current	R <sub>LINE</sub> = 1200 Ohms, V <sub>B-</sub> = -42V, I <sub>Long</sub> = 0 T <sub>A</sub> = 25°C	17.5	-	-	mA
Off Hook Loop Current	R <sub>LINE</sub> = 200 Ohms, I <sub>Long</sub> = 0	25.5	30	34.5	mA
Fault Currents					
TIP to Ground		-	14	-	mA
RING to Ground		-	47	-	mA
TIP to RING		-	30	-	mA
TIP and RING to Ground		-	47	-	mA
Ring Relay Drive V <sub>OL</sub>	I <sub>OL</sub> = 62mA	-	0.2	0.5	V
Ring Relay Driver Off Leakage	V <sub>RD</sub> = +12V, RC = 1 = HIGH, T <sub>A</sub> = 25°C	-	-	100	µA
Ring Rrip Detection Period	R <sub>LINE</sub> = 600 Ohms, T <sub>A</sub> = +25°C	-	2	3	Ring Cycles
Switch Hook Detection Threshold	SHD = V <sub>OL</sub>	10	-	-	mA
	SHD = V <sub>OH</sub>	-	-	5	mA
Ground Key Detection Threshold	GKD = V <sub>OL</sub>	20	-	-	mA
	GKD = V <sub>OH</sub>	-	-	10	-
Loop Current During Power Denial		-	±2	-	mA
Dial Pulse Distortion		0	-	5	ms
Receive Input Impedance		-	90	-	kOhms
Transmit Output Impedance		-	5	20	Ohms
Two Wire Return Loss	(Return Loss Referenced to 600Ω +2.16µF)				
SRL LO		-	15.5	-	dB
ERL		-	24	-	dB
SRL HI		-	31	-	dB
Longitudinal Balance	1V Peak-Peak 200Hz - 3400Hz 0°C ≤ T <sub>A</sub> ≤ 75°C				
2 Wire Off Hook		58	65	-	dB
2Wire On Hook		60	63	-	dB
4 Wire Off Hook		50	58	-	dB
Low Frequency Longitudinal Balance	R.E.A. Method, 0°C ≤ T <sub>A</sub> ≤ 75°C	-	-	23	dBmC
		-	-	-67	dBmOp

NOTES: 1. Absolute maximum ratings are limiting values, applied individually, beyond which the serviceability of the circuit may be impaired. Functional operability under any of these conditions is not necessarily implied.

8  
TELECOM-  
MUNICATIONS

## Specifications HC-5502A

### Electrical Specifications (Continued)

PARAMETERS	CONDITIONS	MIN	TYP	MAX	UNITS
Insertion Loss	@ 1kHz, OdBm Input Level	-	±0.05	±0.2	dB
2 Wire - 4 Wire		-	±0.05	±0.2	dB
4 Wire - 2 Wire		-	±0.05	±0.2	dB
Frequency Response	200 - 3400Hz Referenced to Absolute Loss at 1kHz and OdBm Signal Level	-	±0.02	±0.05	dB
Idle Channel Noise	$0^{\circ}\text{C} \leq T_A \leq 75^{\circ}\text{C}$	-	-	-	-
2 Wire - 4 Wire	$0^{\circ}\text{C} \leq T_A \leq 75^{\circ}\text{C}$	-	1	5	dBmC
4 Wire - 2 Wire		-	-89	-85	dBmOp
Absolute Delay	$0^{\circ}\text{C} \leq T_A \leq 75^{\circ}\text{C}$	-	-	-	-
2 Wire - 4 Wire		-	-	2	µs
4 Wire - 2 Wire		-	-	2	µs
Trans Hybrid Loss	Balance Network Set Up for 600 Ohm Termination at 1kHz	36	40	-	dB
Overload Level	$0^{\circ}\text{C} \leq T_A \leq 75^{\circ}\text{C}$	-	-	-	-
2 Wire - 4 Wire		1.75	-	-	Vpeak
4 Wire - 2 Wire		1.75	-	-	Vpeak
Level Linearity	at 1kHz, $0^{\circ}\text{C} \leq T_A \leq 75^{\circ}\text{C}$	-	-	-	-
2 Wire - 4 Wire	+3 to -40dBm	-	-	±0.05	dB
	-40 to -50dBm	-	-	±0.1	dB
	-50 to -55dBm	-	-	±0.3	dB
4 Wire - 2 Wire	+3 to -40dBm	-	-	±0.05	dB
	-40 to -50dBm	-	-	±0.1	dB
	-50 to -55dBm	-	-	±0.3	dB
Power Supply Rejection Ratio	$0^{\circ}\text{C} \leq T_A \leq 75^{\circ}\text{C}$	-	-	-	-
V <sub>B+</sub> to 2 Wire	30 - 60Hz, R <sub>LINE</sub> = 600Ω	15	-	-	dB
V <sub>B+</sub> to Transmit		15	-	-	dB
V <sub>B-</sub> to 2 Wire		15	-	-	dB
V <sub>B-</sub> to Transmit		15	-	-	dB
V <sub>B+</sub> to 2 Wire	200 - 16kHz	30	-	-	dB
V <sub>B+</sub> to Transmit	R <sub>LINE</sub> = 600Ω	30	-	-	dB
V <sub>B-</sub> to 2 Wire		30	-	-	dB
V <sub>B-</sub> to Transmit		30	-	-	dB
Logic Input Current (RS, RC, PD)	$0\text{V} \leq V_{IN} \leq 5\text{V}$	-	-	±100	µA
Logic Inputs		-	-	-	-
Logic '0' V <sub>I1</sub>		-	-	0.8	Volts
Logic '1' V <sub>I1</sub>		2.0	-	5.5	Volts
Logic Outputs		-	-	-	-
Logic '0' V <sub>OL</sub>	I <sub>LOAD</sub> 800µA	-	0.1	0.5	Volts
Logic '1' V <sub>OH</sub>	I <sub>LOAD</sub> 80µA	2.7	5.0	5.5	Volts

### Uncommitted Op Amp Specifications

PARAMETER	CONDITIONS	MIN	TYP	MAX	UNITS
Input Offset Voltage		-	±5	-	mV
Input Offset Current		-	±10	-	nA
Input Bias Current		-	20	-	nA
Differential Input Resistance		-	1	-	MΩ
Output Voltage Swing	R <sub>L</sub> = 10K	-	±5	-	Vpeak
Output Resistance	A <sub>VCL</sub> = 1	-	10	-	Ω
Small Signal GBW		-	1	-	MHz

## Pin Assignments HC-5502A

HC-5502A

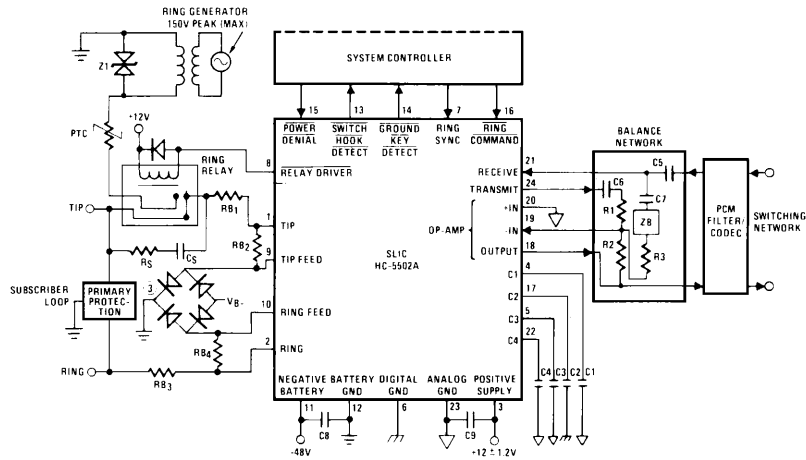
28 PIN PLCC	24 PIN DIP	SYMBOL	DESCRIPTION
2	1	TIP	An analog input connected to the TIP (more positive) side of the subscriber loop through a 150Ω feed resistor and a ring relay. Functions with the Ring terminal to receive voice signals from the telephone and for Loop Monitoring Purposes.
3	2	RING	An analog input connected to the RING (more negative) side of the subscriber loop through a 150Ω feed resistor. Functions with the Tip terminal to receive voice signals from the telephone and for loop monitoring purposes.
4	3	V <sub>B+</sub>	Positive Voltage Source - Most positive supply. V <sub>B+</sub> is typically 12 volts with an operational range of 10.8 to 13.2 volts.
5	4	C1	Capacitor #1 - Optional Capacitor used to improve power supply rejection. This pin should be left open if unused.
6	5	C3	Capacitor #3 - An external capacitor to be connected between this terminal and analog ground. Required for proper operation of the loop current limiting function, and for filtering V <sub>B-</sub> supply. Typical value is 0.3μF, 30V.
7	6	DG	Digital Ground - To be connected to zero potential and serves as a reference for all digital inputs and outputs on the SLIC.
9	7	RS	Ring Synchronization Input - A TTL - compatible clock input. The clock is arranged such that a positive transition occurs on the negative going zero crossing of the ring voltage source, ensuring that the ring relay is activated and deactivated when the instantaneous ring voltage is near zero. If synchronization is not required, tie to +5V.
10	8	<u>RD</u>	Relay Driver - A low active open collector logic output. When enabled, the external ring relay is energized.
11	9	TF	Tip Feed - A low impedance analog output connected to the TIP terminal through a 150Ω feed resistor. Functions with the RF terminal to provide loop current, feed voice signals to the telephone set, and sink longitudinal current.
12	10	RF	Ring Feed - A low impedance analog output connected to the RING terminal through a 150Ω feed resistor. Functions with the TF terminal to provide loop current, feed voice signals to the telephone set, and sink longitudinal currents.
13	11	V <sub>B-</sub>	Negative Voltage Source - Most negative supply. V <sub>B-</sub> is typically -48 volts with an operational range of -42 to -58 volts. Frequently referred to as "battery".
14	12	BG	Battery Ground - To be connected to zero potential. All loop current and some quiescent current flows into this ground terminal.
16	13	<u>SHD</u>	Switch Hook Detection - A low active LS TTL - compatible logic output. This output is enabled for loop currents exceeding 10mA and disabled for loop currents less than 5mA.
17	14	<u>GKD</u>	Ground Key Detection - A low active LS TTL - compatible logic output. This output is enabled if the DC current into the ring lead exceeds the DC current out of the tip lead by more than 20mA, and disabled if this current difference is less than 10mA.
18	15	<u>PD</u>	Power Denial - A low active TTL - Compatible logic input. When enabled the switch hook detect ( <u>SHD</u> ) and ground key detect ( <u>GKD</u> ) are not necessarily valid, and the relay driver, ( <u>RD</u> ) output is disabled.
19	16	<u>RC</u>	Ring Command - A low active TTL - Compatible logic input. When enabled, the relay driver ( <u>RD</u> ) output goes low on the next rising edge of the ring sync (RS) input, as long as the SLIC is not in the power denial state ( <u>PD</u> = 0) or the subscriber is not already off-hook ( <u>SHD</u> = 0).
20	17	C2	Capacitor #2 - An external capacitor to be connected between this terminal and digital ground. Prevents false ground key indications from occurring during ring trip detection. Typical value is 0.15μF, 10V. This capacitor is not used if ground key function is not required.
21	18	OUT	The analog output of the spare operational amplifier.
23	19	-IN	The inverting analog input of the spare operational amplifier.
24	20	+IN	The non-inverting analog input of the spare operational amplifier.
25	21	RX	Receive Input, Four Wire Side - A high impedance analog input which is internally biased. Capacitive coupling to this input is required. AC signals appearing at this input differentially drive the Tip feed and Ring feed amplifiers, which in turn drive tip and ring through 300 Ohms of feed resistance on each side of the line.
26	22	C4	Capacitor #4 - An external capacitor to be connected between this terminal and analog ground. This capacitor prevents false ground key indication and false ring trip detection from occurring when longitudinal currents are induced onto the subscriber loop from near proximity power lines and other noise sources. This capacitor is also required for the proper operation of ring trip detection. Typical value is 0.5μF, to 1.0μF, 20V. This capacitor should be nonpolarized.
27	23	AG	Analog Ground - To be connected to zero potential and serves as a reference for the transmit output (TX) and receive input (RX) terminals.
28	24	TX	Transmit Output, Four Wire Side - A low impedance analog output which represents the differential voltage across Tip and Ring. Transhybrid balancing must be performed (using the SLIC microcircuit's spare op amp) beyond this output to completely implement two to four wire conversion. This output is unbalanced and referenced to analog ground. Since the DC level of this output varies with loop current, capacitive coupling to the next stage is essential.
1,8,15,22		NC	No Internal Connection.

8  
TELECOM-  
MUNICATIONS

NOTE: All grounds (AG, BG, & DG) must be applied before V<sub>B+</sub> or V<sub>B-</sub>. Failure to do so may result in premature failure of the part. If a user wishes to run separate grounds off a line card, the AG must be applied first.

Applications Diagram

TYPICAL LINE CIRCUIT APPLICATION WITH THE MONOLITHIC SLIC



TYPICAL COMPONENT VALUES

- C1 = 0.5μF (Note 1)
- C2 = 0.15μF, 10V
- C3 = 0.3μF, 30V
- C4 = 0.5μF to 1.0μF, ±10%, 20V (Should be nonpolarized)
- C5 = 0.5μF, 20V
- C6 = C7 = 0.5μF (10% Match Required) (Note 2), 20V
- C8 = 0.01μF, 100V
- C9 = 0.01μF, 20V, ±20%

R1 → R3 = 100kΩ (0.1% Match Required, 1% absolute value), ZB = 0 for 600Ω Terminations (Note 2)  
 RB1 = RB2 = RB3 = RB4 = 150Ω (0.1% Match Required, 1% absolute value)  
 RS = 1kΩ, CS = 0.1μF, 200V typically, depending on VRing and line length.  
 Z1 = 150V to 200V transient protector. PTC used as ring ballast.

NOTE 1: C1 is an optional capacitor used to improve +12V supply rejection. This pin must be left open if unused.

NOTE 2: To obtain the specified transhybrid loss it is necessary for the three legs of the balance network, C6-R1 and R2 and C7-ZB-R3, to match in impedance to within 0.3%. Thus, if C6 and C7 and 1μF each, a 20% match is adequate. It should be noted that the transmit output to C6 see's a -10.5 to -21 volt step when the loop is closed and that too large a value for C6 may produce an excessively long transient at the op amp output to the PCM Filter/CODEC.

A 0.5μF and 100kΩ gives a time constant of 50msec. The uncommitted op amp output is internally clamped to stay within ±5.5V and also has current limiting protection.

NOTE 3: Secondary protection diode bridge recommended is MDA 220 or equivalent.

ADDITIONAL INFORMATION IS CONTAINED IN APPLICATION NOTE 549, "THE HC-550X TELEPHONE SLICs"  
 BY GEOFF PHILLIPS

**Overvoltage Protection and Longitudinal Current Protection**

The SLIC device, in conjunction with an external protection bridge, will withstand high voltage lightning surges and power line crosses.

High voltage surge conditions are as specified in Table 1.

The SLIC will withstand longitudinal currents up to a maximum or 30mA RMS, 15mA RMA per leg, without any performance degradation.

TABLE 1

PARAMETER	TEST CONDITION	PERFORMANCE (MAX)	UNITS
Longitudinal Surge	10μs Rise/	±1000 (Plastic)	V Peak
	1000μs/Fall	±500 (Ceramic)	V Peak
Metallic Surge	10μs Rise/	±1000 (Plastic)	V Peak
	1000μ Fall	±500 (Ceramic)	V Peak
T/GND R/GND	10μs Rise/	±1000 (Plastic)	V Peak
	1000μs Fall	±500 (Ceramic)	V Peak
50/60Hz Current T/GND R/GND	700V rms Limited to 10A rms	11	Cycles