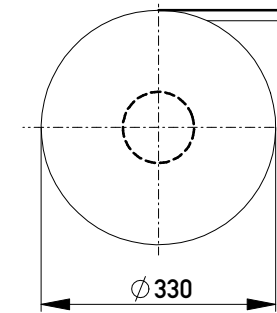
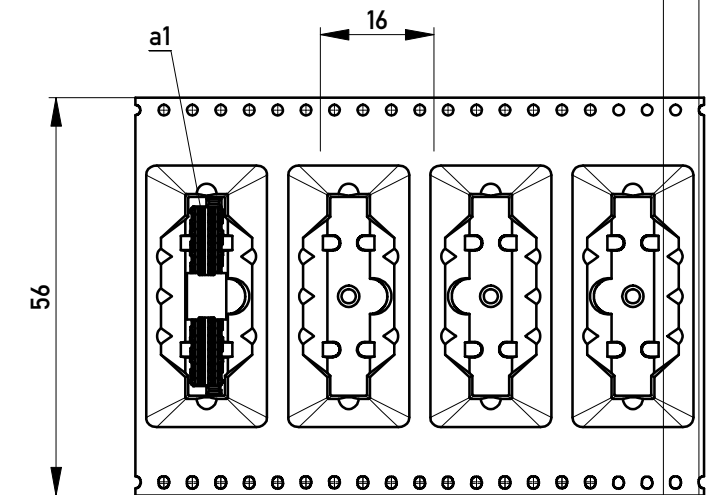
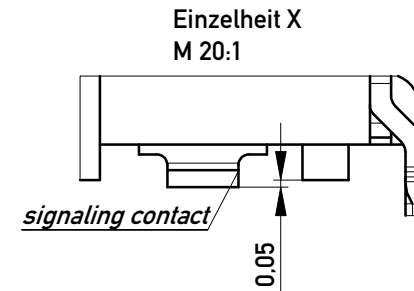
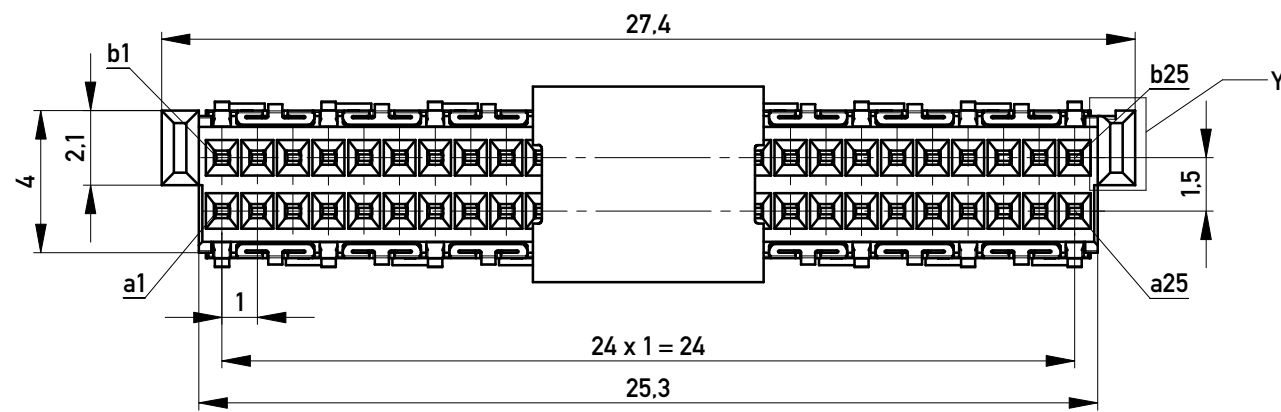


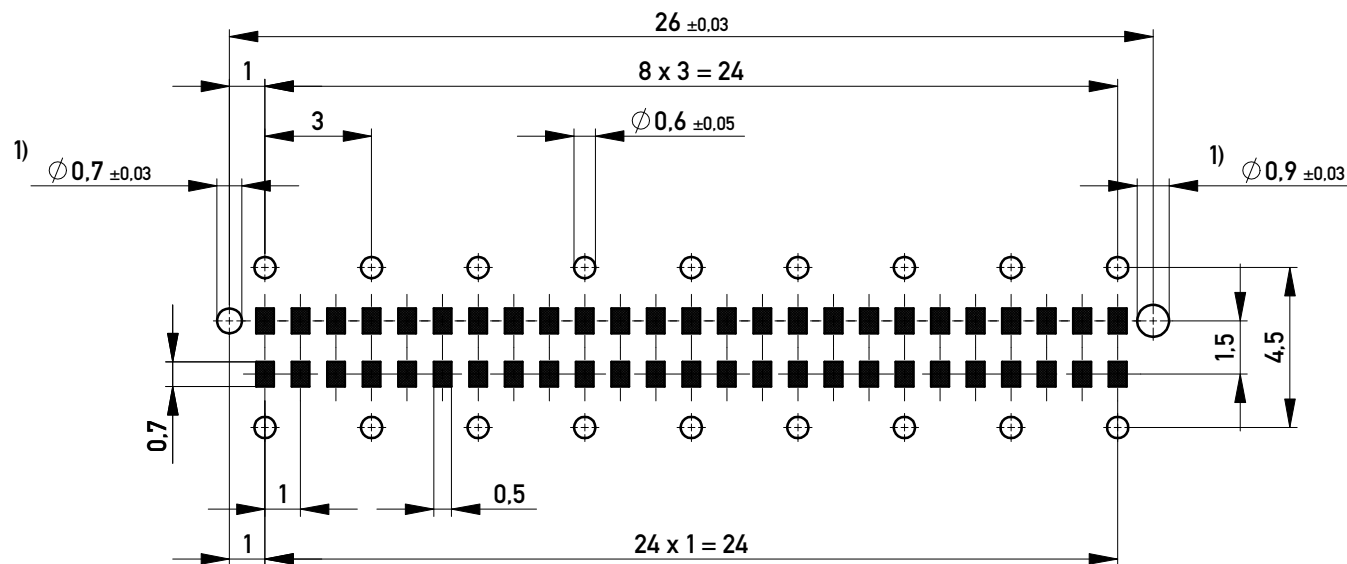
Verpackt im Gurt in Anlehnung an DIN IEC 60286-3  
Tape on Reel Packaging according to DIN IEC 60286-3  
Verpackungseinheit: 260 Stück  
Packaging unit: 260 pcs



Abspulrichtung - Reel off Direction



Leiterplatten-Layout Vorschlag / PCB-Layout Proposal



1) Durchmesser des Bohrers / Drill tool

Anforderungsstufe 1  
Performance Level 1

Kontaktbereich vergoldet  
Mating Area gold plating

Anschlussbereich verzinkt 4-6µm  
Terminal Area 4-6µm tin plating

Koplanarität der Anschlüsse ≤ 0,1mm  
Coplanarity Area of Termination ≤ 0,1mm

Information:  All rights reserved. Only for Information. To ensure that this is the latest version of this drawing, please contact one of the ERNI companies before using.	Tolerances  All Dimensions in mm	Scale 1:0.2
	Designation <b>F08 MSpeed BlindMate 50 THR</b>	
www.ERNI.com	<b>354179</b>	
	e Index	20.10.2017 Date
Class		MSPEED

Copyright by ERNI Production GmbH & Co. KG  
Proprietary notice pursuant to ISO 16046 to be observed.