

**PRELIMINARY**

spec ref	dr	N.Zuo	2013.3.12	projection	MM	size	A3	scale	7:5
tolerance std	eng					ecn no		rel level	In Work
TOLERANCES UNLESS OTHERWISE SPECIFIED		chr				product family	-		
surface	linear	0.X	±0.30			<b>DDR4 288Pin DIMM CONNECTOR</b>		dwg no	10124632
		0.XX	±0.20	<a href="http://www.fci.com">www.fci.com</a>		PTH TERMINATION		rev	12
	angular	0°	±2°	cat. no.		Product - Customer Drw		sheet 1 of 5	

Copyright FCI.

DDR4 MODULE  
 MORE INFORMATION REFER TO JEDEX MO-309

A

B

C

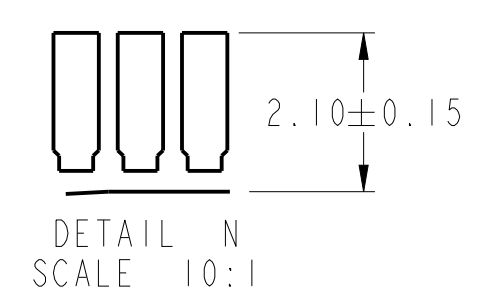
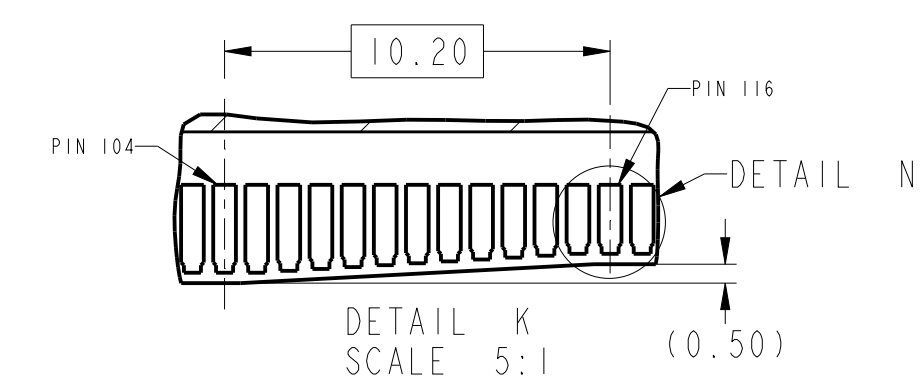
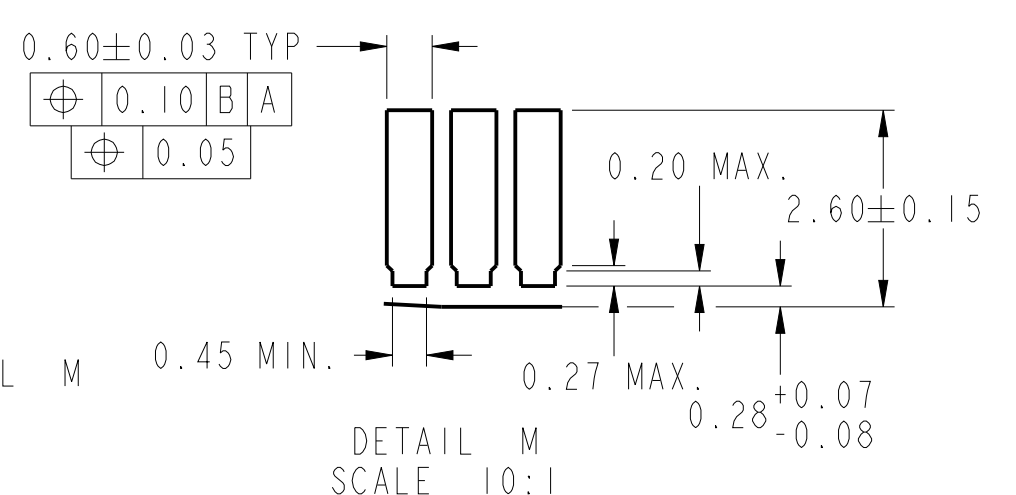
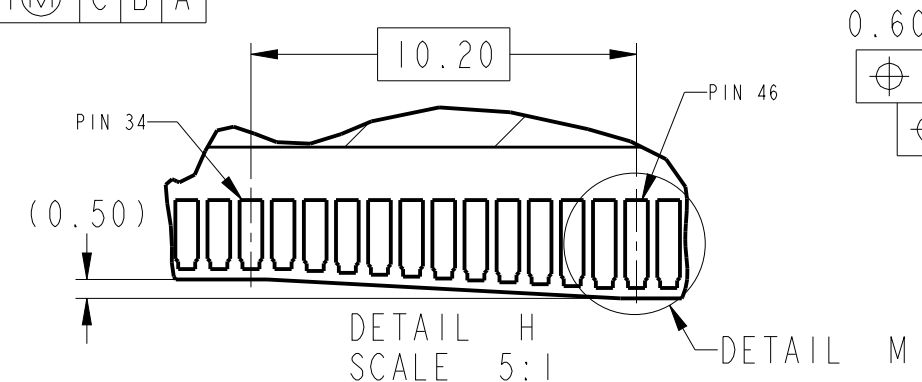
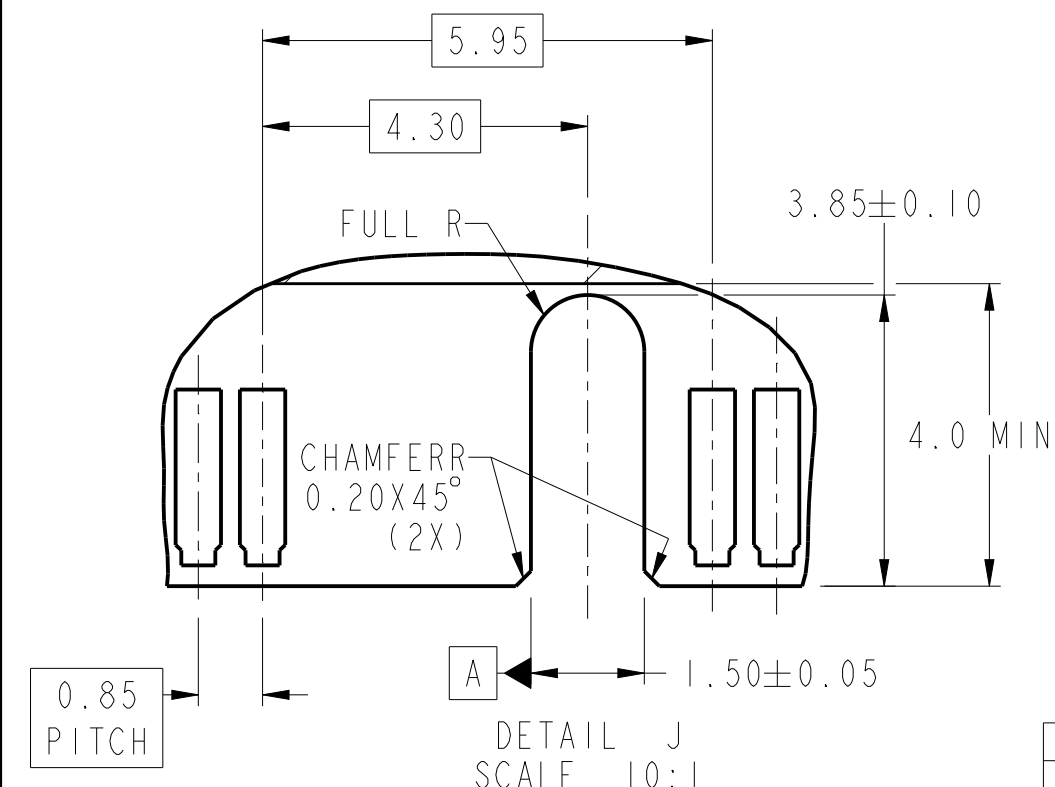
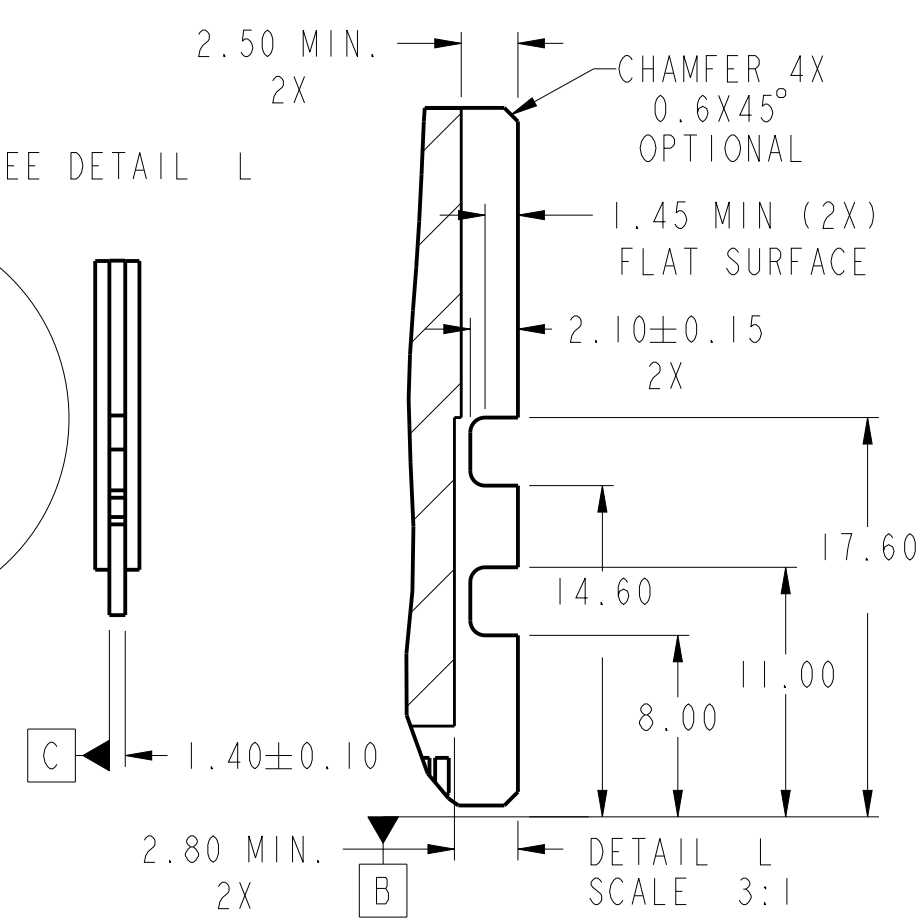
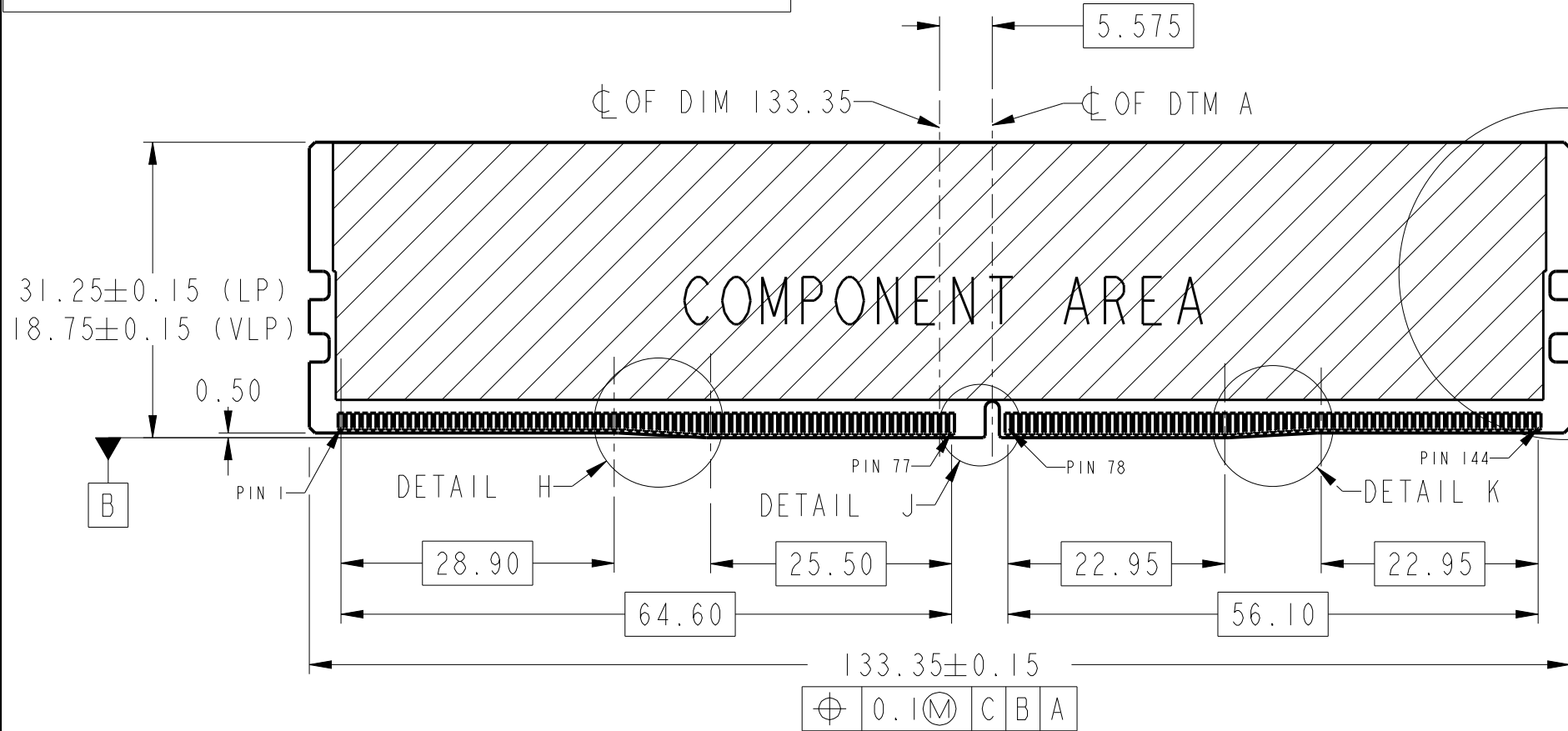
D

A

B

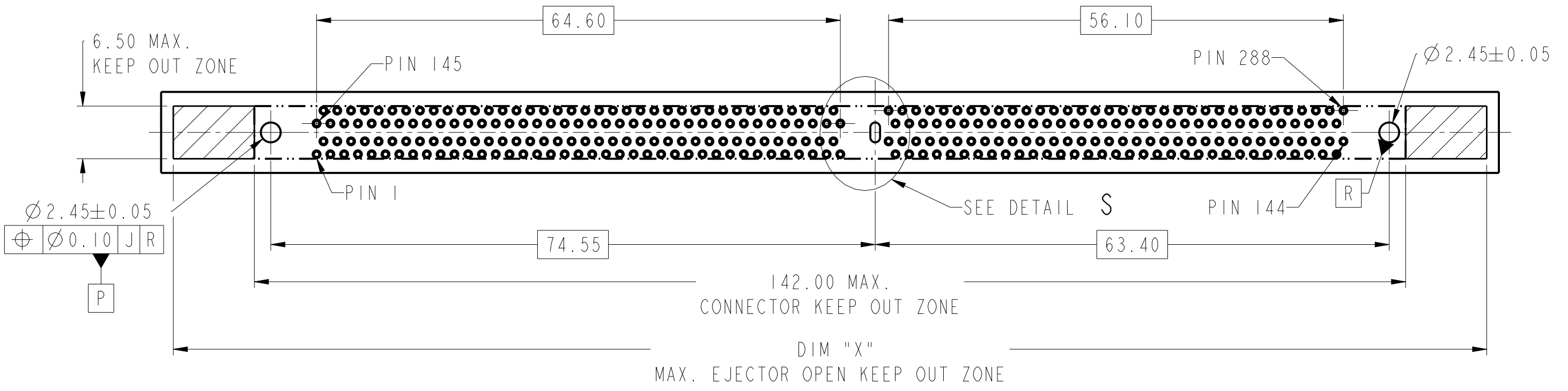
C

D

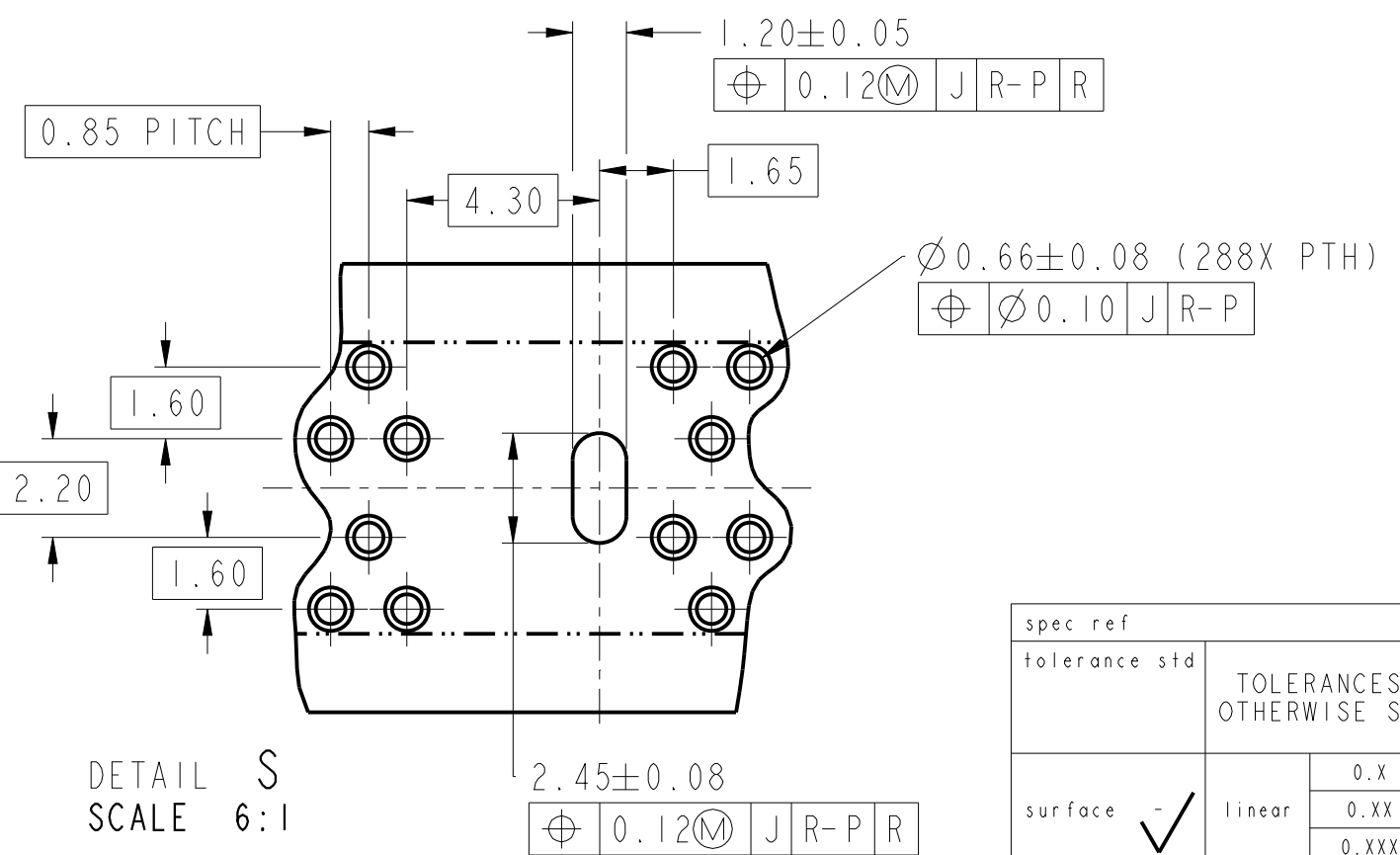


spec ref	dr N.Zuo		2013.3.12	projection	MM	size A3	scale 1:1
tolerance std	eng					ecn no	
TOLERANCES UNLESS OTHERWISE SPECIFIED surface ✓	linear	0.X ±0.30				product family	
		0.XX ±0.20		DDR4 288Pin DIMM CONNECTOR		10124632	
		0.XXX ±0.10		PTH TERMINATION		rev 12	
ISO 1302	angular	0° ±2°	www.fci.com	cat. no.	-	Product - Customer Drw	

RECOMMENDED PCB LAYOUT OPTION I



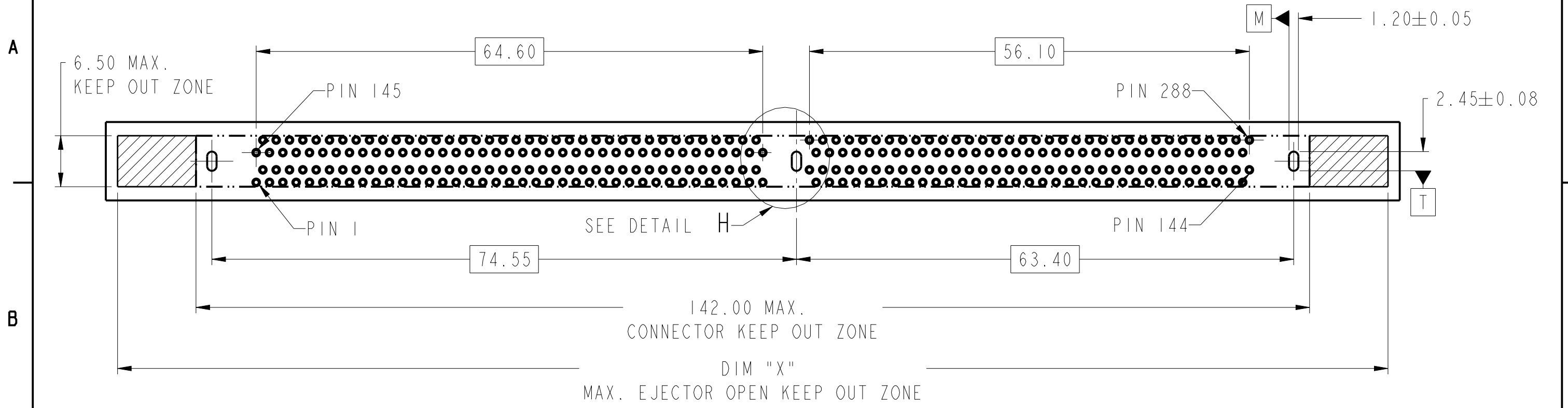
PCB THICKNESS  
SEE PART NUMBER



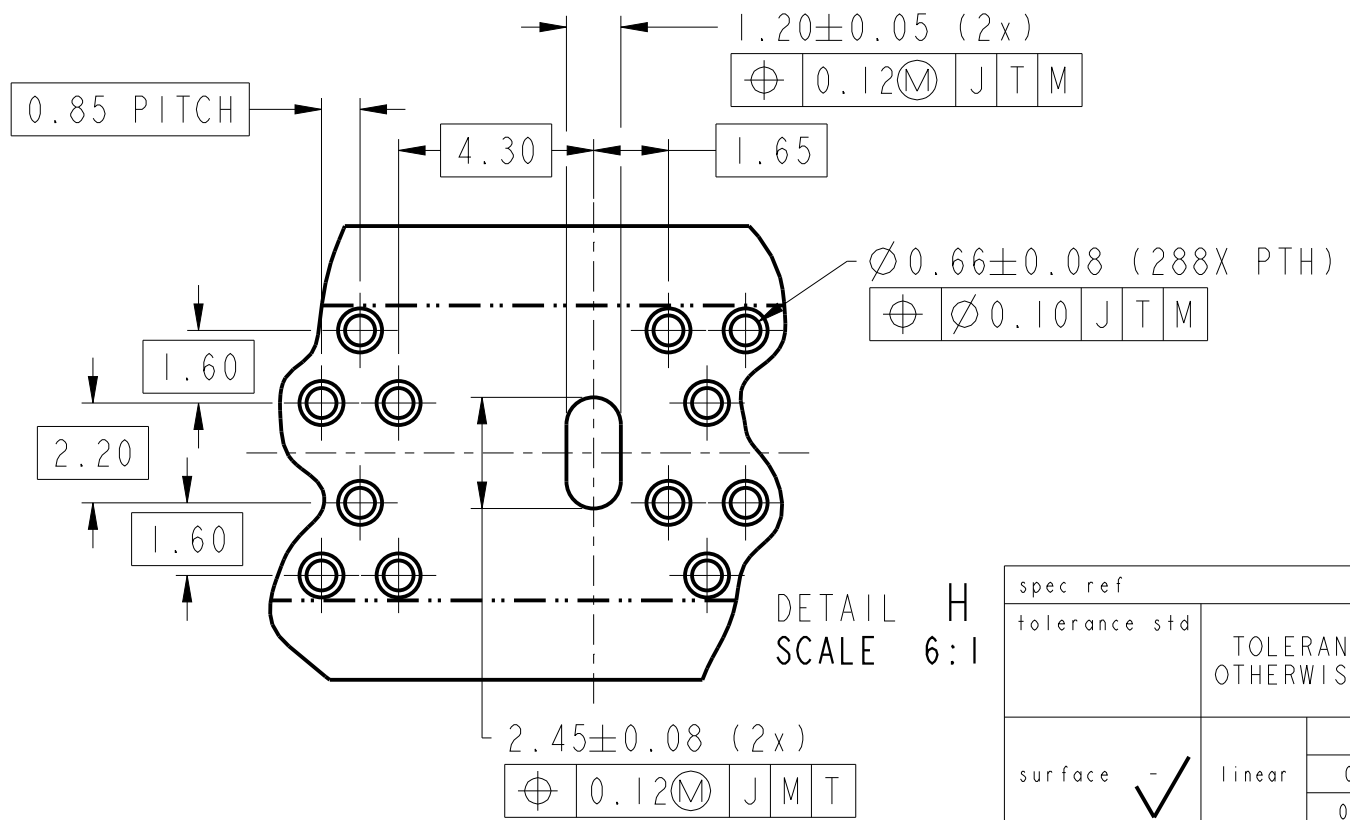
spec ref	dr	N.Zuo	2013.3.12	projection	MM	size	A3	scale	2:1
tolerance std	eng					ecn no		rel level	
TOLERANCES UNLESS OTHERWISE SPECIFIED		chr				-		In Work	
surface	linear	ISO 1302	0.X ±0.30	product family		-		-	
			0.XX ±0.20	www.fci.com		cat. no.		-	
			0.XXX ±0.10	FCJ		DDR4 288Pin DIMM CONNECTOR		10124632	
	angular		0° ±2°	PTH TERMINATION		dwg no		12	
				Product - Customer Drw		sheet 3 of 5			

Copyright FCI.

# RECOMMENDED PCB LAYOUT OPTION2



PCB THICKNESS  
SEE PART NUMBER



spec ref	dr	N.Zuo	2013.3.12	projection	MM	size	A3	scale	1:1
tolerance std	eng					ecn no		rel level	
TOLERANCES UNLESS OTHERWISE SPECIFIED		chr				-		In Work	
surface	linear	0.X	±0.30	product family		-		In Work	
ISO 1302		0.XX	±0.20	DDR4 288Pin DIMM CONNECTOR		10124632		rev 12	
		0.XXX	±0.10	PTH TERMINATION		-		-	
angular	0°	±2°	www.fci.com	cat. no.	-	Product - Customer Drw		sheet 4 of 5	

Copyright FCI.

# PRODUCT PART NUMBER

10124632-□□□□□□□□

## ADDITIONAL REQUIREMENTS

0: RoHS COMPLIANT  
 1: HALOGEN FREE COMPLIANT(NATURAL/BLACK COLOR ONLY)

## HOLD DOWNS CONFIGURATIONS

0: 3 FORKLOCKS, DIM "Y"=4.00±0.25  
 1: 3 FORKLOCKS, DIM "Y"=2.50±0.25  
 2: 3 FORKLOCKS, DIM "Y"=3.78±0.25

## DIM "L", TAIL LENGTH

0: 2.60±0.25  
 1: 3.20±0.25  
 3: 2.40±0.25  
 4: 2.10+0.25/-0.15

## HOUSING COLOR

0: NATURAL  
 1: BLACK  
 2: BLUE  
 3: YELLOW

## EJECTOR TYPE

## TAIL PLATING

LF: 100u" MIN. MATE TIN  
 TL: 100u" MIN. TIN LEAD

## CONTACT AREA PLATING

CODE	CONTACT AREA	UNDERPLATING
1	15u" MIN.GOLD	50u" MIN.NICKEL
3	30u" MIN.GOLD	
4	30u" MIN.GXT	
5	15u" MIN.GXT	90u" MIN.NICKEL
6	30u" MIN.GOLD	
7	15u" MIN.GOLD	

## CONTACTS LUBRICATION

0: WITHOUT  
 1: WITH

## NOTES:

- MATERIALS:  
 HOUSING: HIGH PERFORMANCE RESINS, GLASS FIBER FILLED, UL94 V-0 RATED.  
 EJECTOR: HIGH PERFORMANCE RESINS, GLASS FIBER FILLED, UL94 V-0 RATED.  
 TERMINAL: COPPER ALLOY  
 FORKLOCK: COPPER ALLOY
- DATE CODE "MMDDYYL", MMDDYY IS ASSEMBLY DATE, L IS FCI PRODUCTION LINE.
- SPECIFICATION:  
 PRODUCTION SPECIFICATION: FCI GS-12-1092.  
 PACKAGE SPECIFICATION: FCI GS-14-2267.  
 APPLICATION SPECIFICATION: FCI GS-20-0353.
- LEAD FREE PRODUCT MEETS EUROPEAN UNION DIRECTIVES AND OTHER COUNTRY REGULATIONS AS DESCRIBED IN FCI GS-22-008.
- THIS PRODUCT WILL WITHSTAND EXPOSURE TO 260°C PEAK TEMPERATURE FOR 10 SECONDS IN WAVE SOLDERING APPLICATION.

CODE	COLOR	DIM"X1" MAX.EJECTORS OPEN DISTANCE	DIM"X2" MAX.EJECTORS CLOSE DISTANCE	DIM"W" EJECTOR WIDTH	EJECTOR FIGURE
0	NATURAL	162.00	149.00	(6.42)	
1	BLACK				
2	BLUE				
A	GREEN(375C)				
3	NATURAL	152.00	142.00	(6.42)	
4	BLACK				
5	BLUE				
9	GREEN(375C)				
6	NATURAL	157.00	145.00	(4.00)	
7	BLACK				
8	BLUE				

dr	N.Zuo	2013.3.12	projection	MM	size	A3	scale	1:1	
eng				←→	ecn no				
chr			product family		rel level		In Work		
appr									
		title			DDR4 288Pin DIMM CONNECTOR		dwg no	10124632	rev
www.fci.com		cat. no.			-		Product - Customer Drw		sheet 5 of 5
					PTH TERMINATION			12	