

DRAWING MADE IN THIRD ANGLE PROJECTION

3

2

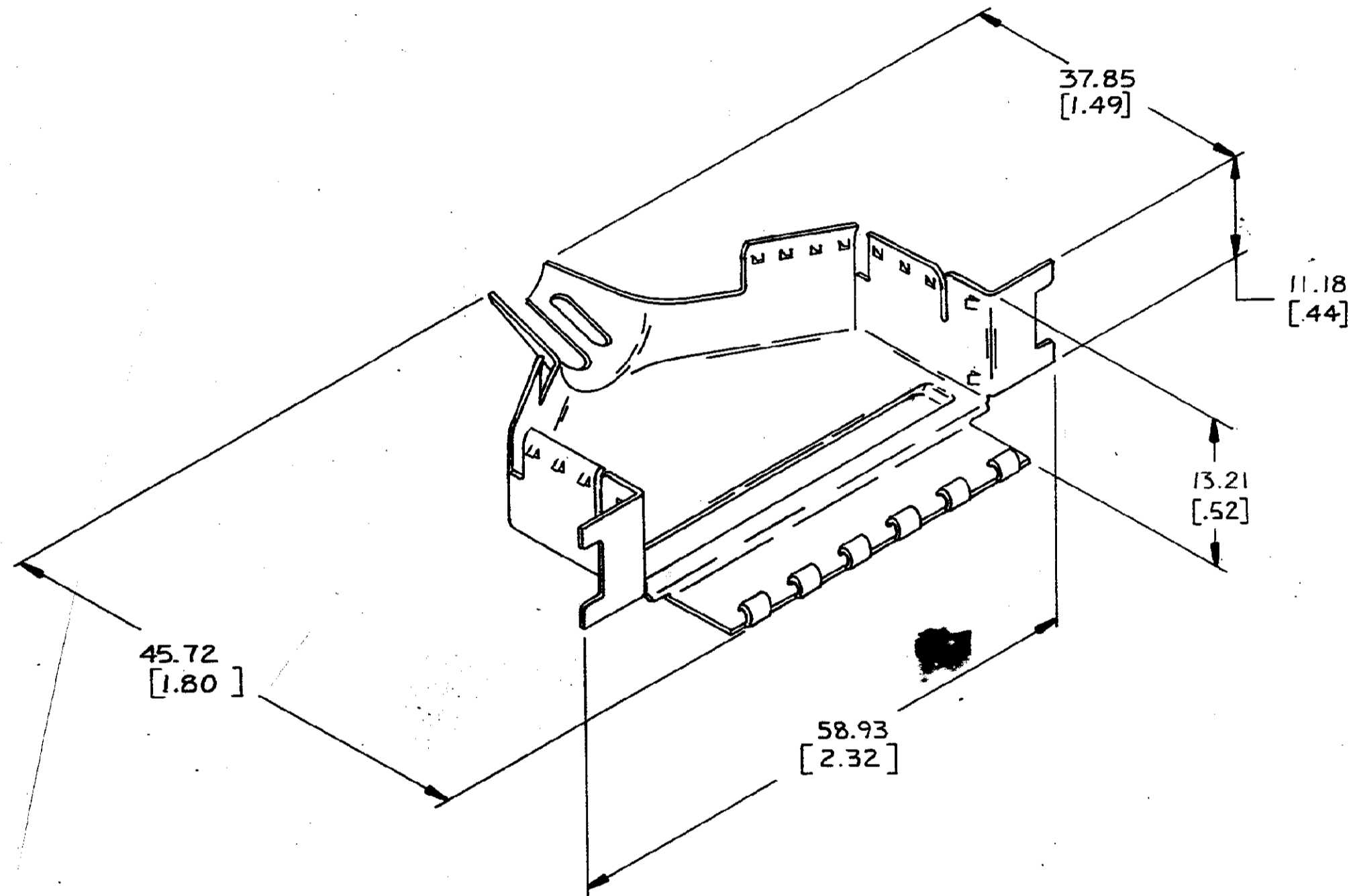
1

LOC DIST
AA 15/2

THIS DRAWING IS UNPUBLISHED. RELEASED FOR PUBLICATION 19
 © COPYRIGHT 19 BY AMP INCORPORATED, HARRISBURG, PA. ALL INTERNATIONAL RIGHTS RESERVED. AMP PRODUCTS MAY BE COVERED BY U.S. AND FOREIGN PATENTS AND/OR PATENTS PENDING.

REVISIONS					
P	F	ZONE	DESCRIPTION	DATE	APPROVED
A		A	REVISED PER ECN AA-450	1-12-81	PAC AH

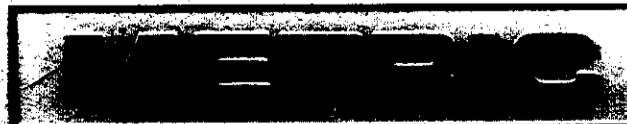
1. DIMENSIONS IN BRACKETS [] ARE IN INCHES.
2. CABLE RANGE: .250-.500 DIA



554254-1 AS SHOWN

PART NO

UNLESS OTHERWISE SPECIFIED DIMENSIONS ARE IN MM TOLERANCES ON: DECIMALS .05 ANGLES .5	CONTRACT NO	AMP AMP INCORPORATED Harrisburg, Pa. 17105	
	DR <i>J. Dunbar</i> 9-9-83	NAME	
	CHK <i>MD</i> 9-9-83	SHIELD, INSIDE, EMI, 180°, PLUG, 36 POSITION, BAIL LOCK	
	MATERIAL CARBON STEEL	APPD <i>W. H. H. H.</i> 2/13/83 APPD <i>J. G. H.</i> 9/13/83	SIZE C
FINISH BRIGHT NICKEL PLATE	DSGN APPD	DRAWING NO 554254	SCALE 2:1
	OTHER APPD	SHEET 1 OF 1	



CUSTOMER DRAWING

554254