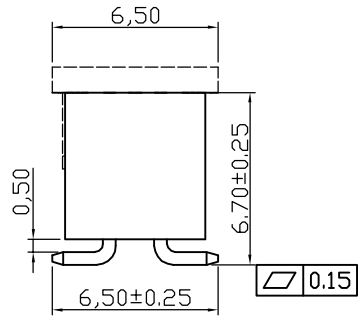
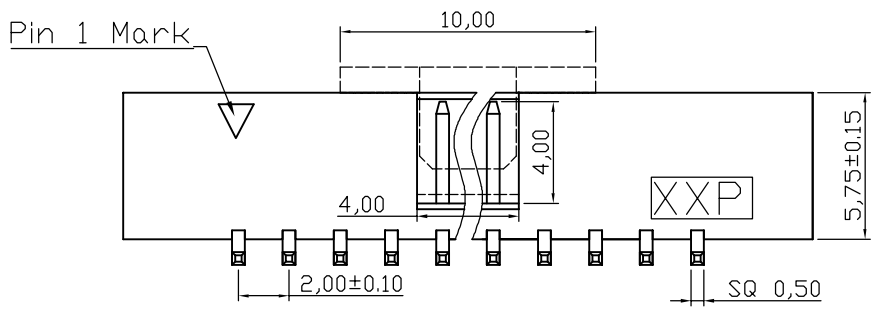
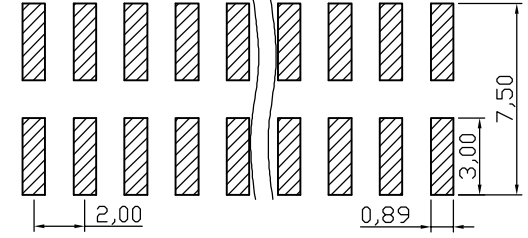


Recommended P.C.B Layout(Top Side)  
(PCB BOARD TOLERANCE±0.05)



**NOTES:**

**MATERIAL**

- ④ 1. Insulator Material: PA9T+30%GF(UL94V-0), Black
- 2. Contact Material : Brass
- 3. Contact Plating : Gold flash Over 50μ"Ni

**ELECTRICAL**

- 1. Current Rating : 1.5AMP
- 2. Withstand Voltage : 500V AC/DC
- 3. Contact Resistance : 20mΩ max
- 4. Insulation Resistance: 1000MΩ min

**ENVIRONMENTAL**

- 1. Operation Temperature: -40°C to +105°C
- 2. Packing :

- AWHW xxG-SMD-200: Tube + Cap ③
- AWHW xxG-SMD-200-R: Tape&Reel + Cap

Order Information :

xx: 10, 14, 16, 20, 24, 26, 30, 34, 40, 44, 50, 60

**RoHS compliant**

Unit:mm

⑤



File No.: E198287

Scale	Free						Date	Name	Customer-No.
TOLERANCE		⑤	Add UL-File No.	07.08.2019	Winnie	Drawn	25.01.2006	Alex	ASSMANN WSW-No. AWHW xxG-SMD-200 ③ AHWW xxG-SMD-200-R
X.X	±0.40	④	Change the material to PA9T	22.03.2016	Winnie	Approved	07.08.2019	Winnie	
X.XX	±0.25	④	Change the material to PA9T	22.03.2016	Winnie	Approved	07.08.2019	Winnie	
X.XXX	±0.15	③	Add new P/N	21.02.2012	Lucas				
Angle°	±3°	②	Update	29.06.2009	Dean				Drawing-No.
		①	Drawn	25.01.2006	Alex				<b>ASS 2319 CO</b>
		Id.	Modification	Date	Name				rev05
									Replace



**ASS 2319 CO**

rev05

Replace

Sheet

1

2

3

4

5

6

7

SVxx