

8

7

6

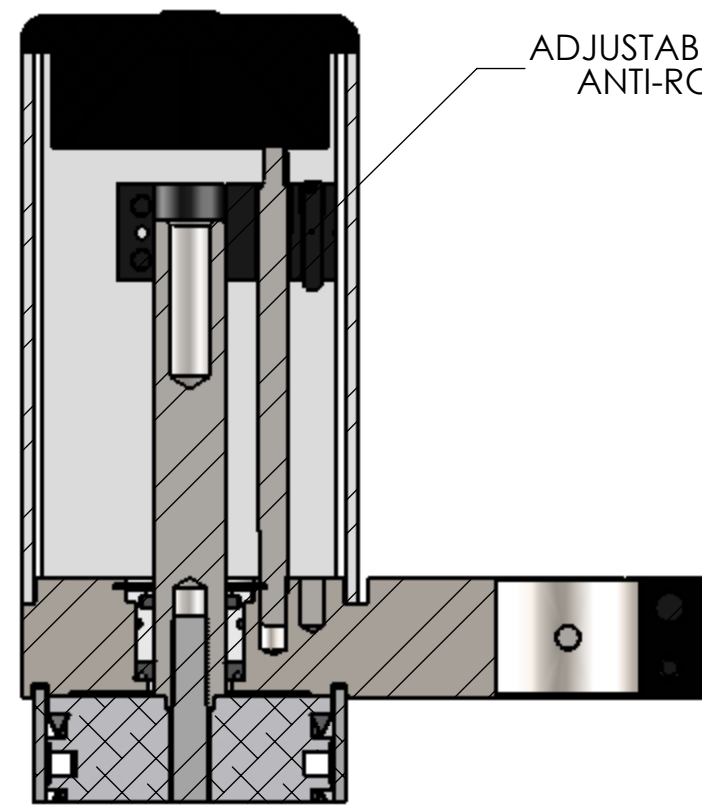
5

4

3

2

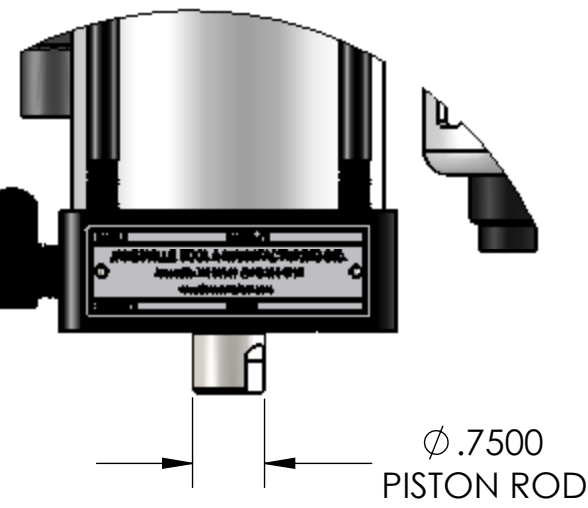
1



SECTION X-X
SCALE 1 : 2

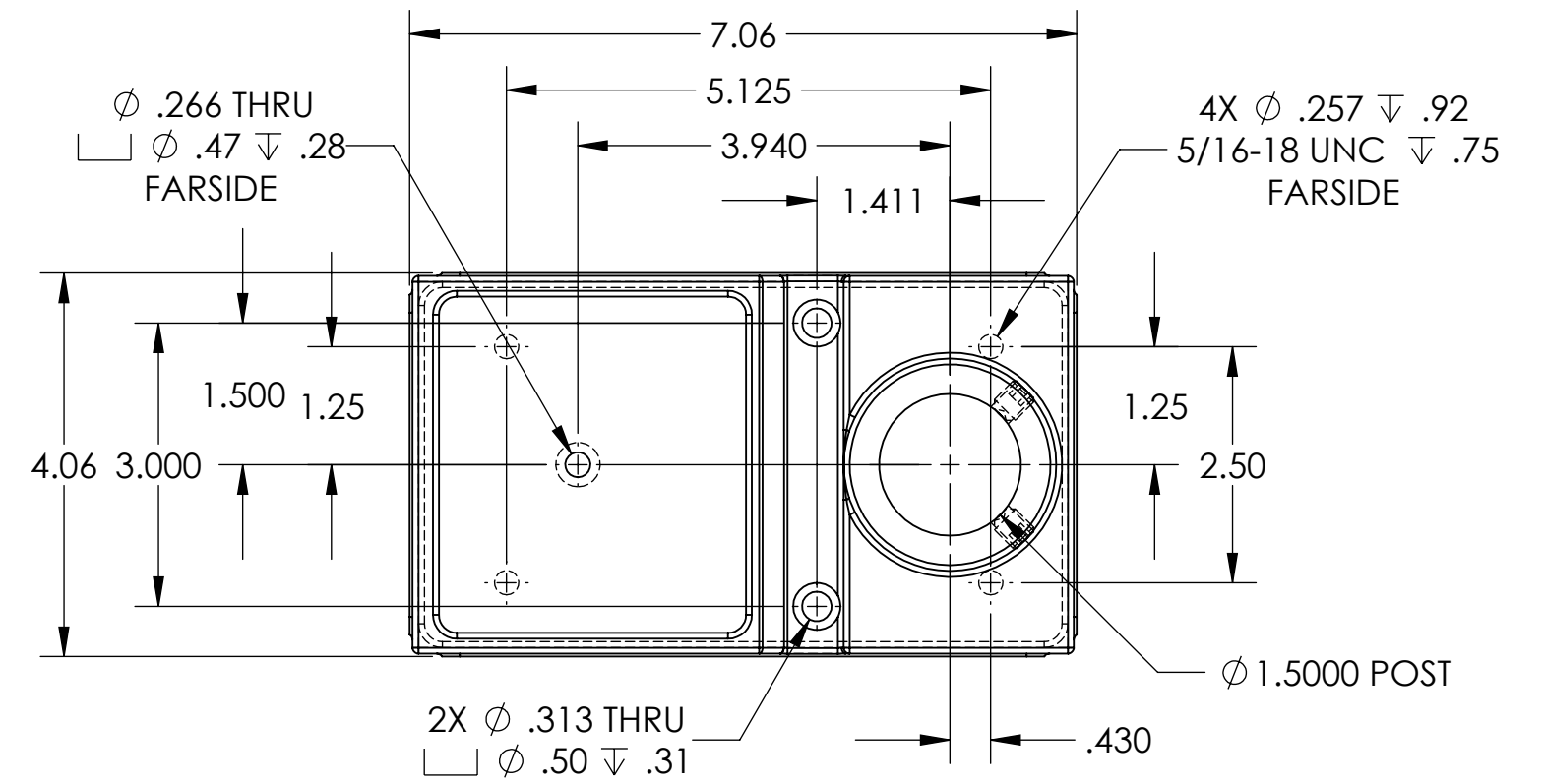
ADJUSTABLE FLOW
CONTROL FITTINGS

ADJUSTABLE DOWNSTOP/
ANTI-ROTATE MECH.



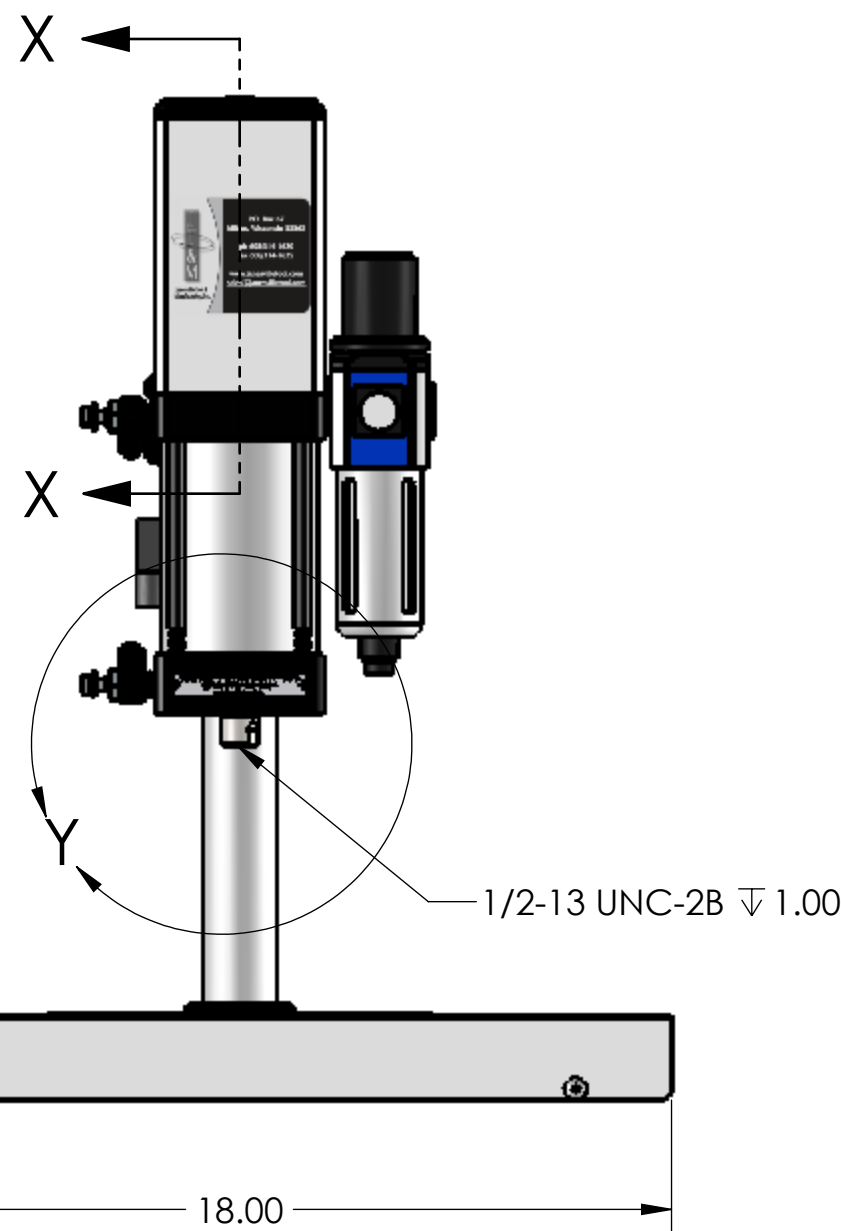
DETAIL Y
SCALE 1 : 2

Ø .7500
PISTON ROD



SECTION Z-Z
SCALE 1 : 2

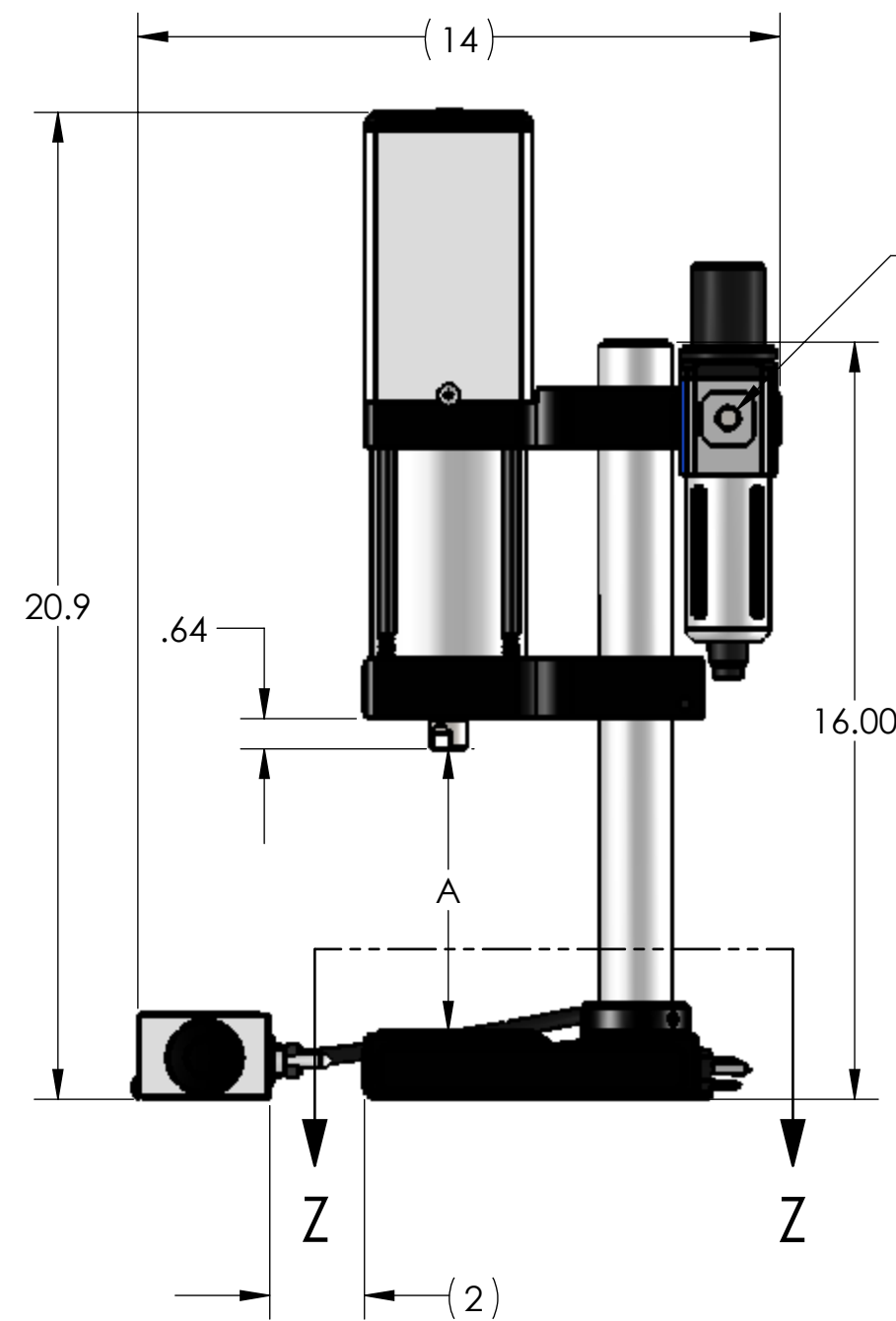
EV-100 (VALVE AND REGULATOR ASSEMBLY)
STANDARD WITH EC-66 ONLY



1.79

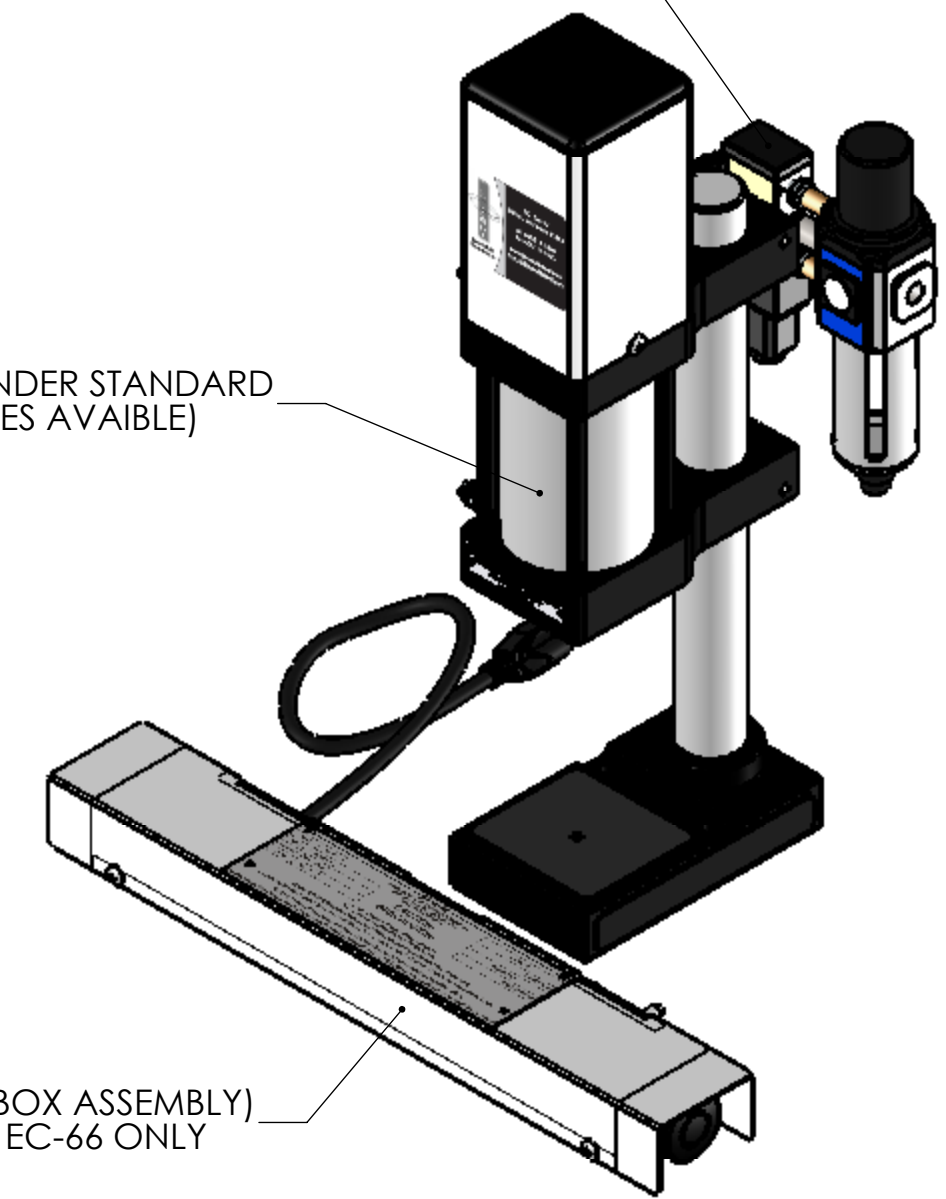
18.00

1/2-13 UNC-2B ∇ 1.00



1/4" NPT INLET

3 INCH STROKE CYLINDER STANDARD
(LONGER STROKES AVAILABLE)

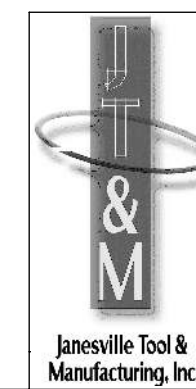


EC-100 (CONTROL BOX ASSEMBLY)
STANDARD WITH EC-66 ONLY

NOTE:

1. E-66 & EC-66 ARE COMPATIBLE WITH #1-6 MDS DIE SETS ONLY

MODEL #	A DIM.
E-66	3.00-6.00
EC-66	3.00-6.00



Janesville Tool & Manufacturing Inc.
 3930 Enterprise Drive
 Janesville, WI 53546
 Phone: 608-314-1620, Fax 608-314-1625

TITLE:
ADJUSTABLE PNEUMATIC PRESS W/ CONTROLS

SIZE	DWG. NO.	REV
C	E SERIES	A

SCALE: 1:4 | WEIGHT: 43.81 | SHEET 2 OF 3

8

7

6

5

4

3

2

1