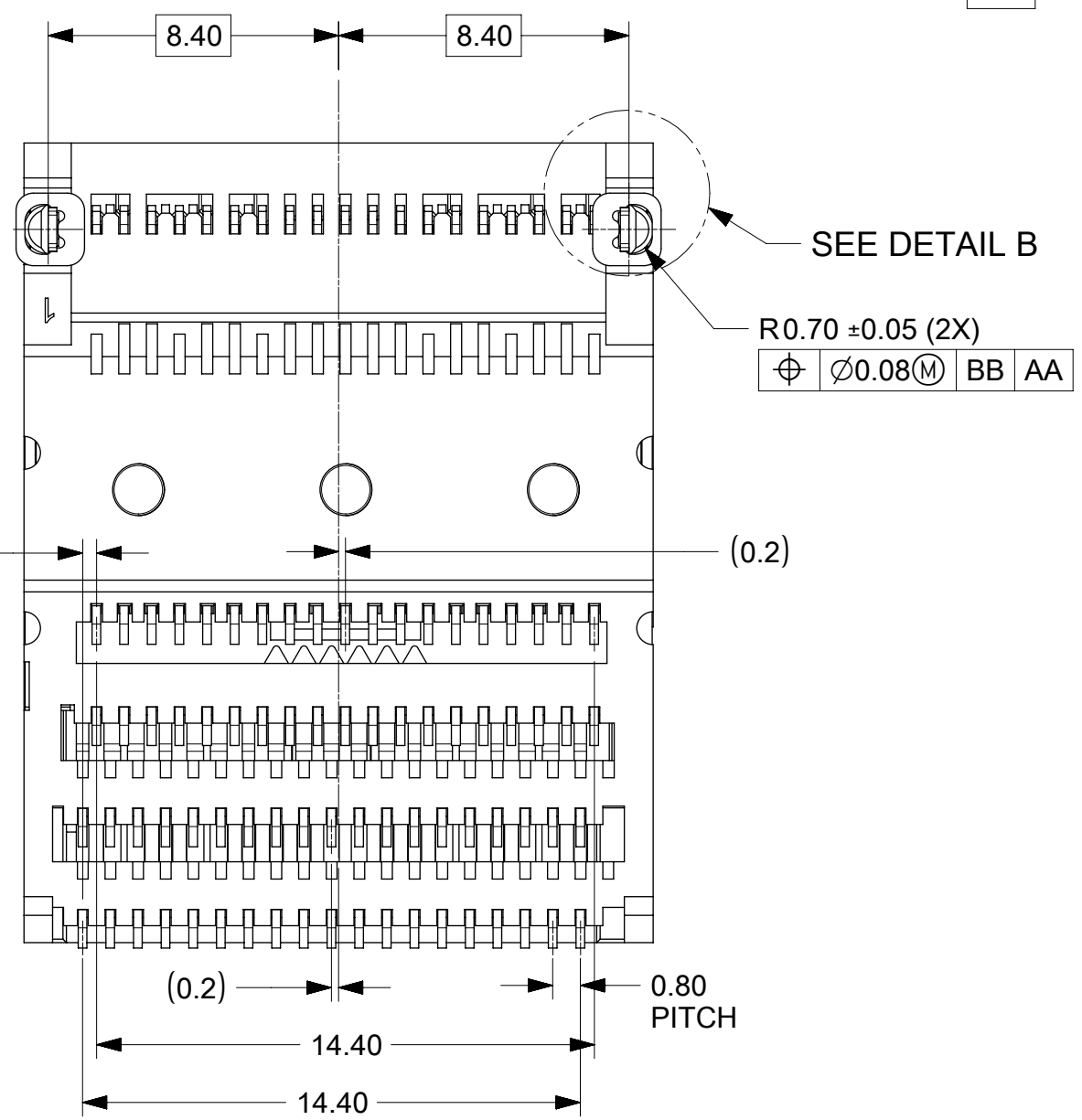
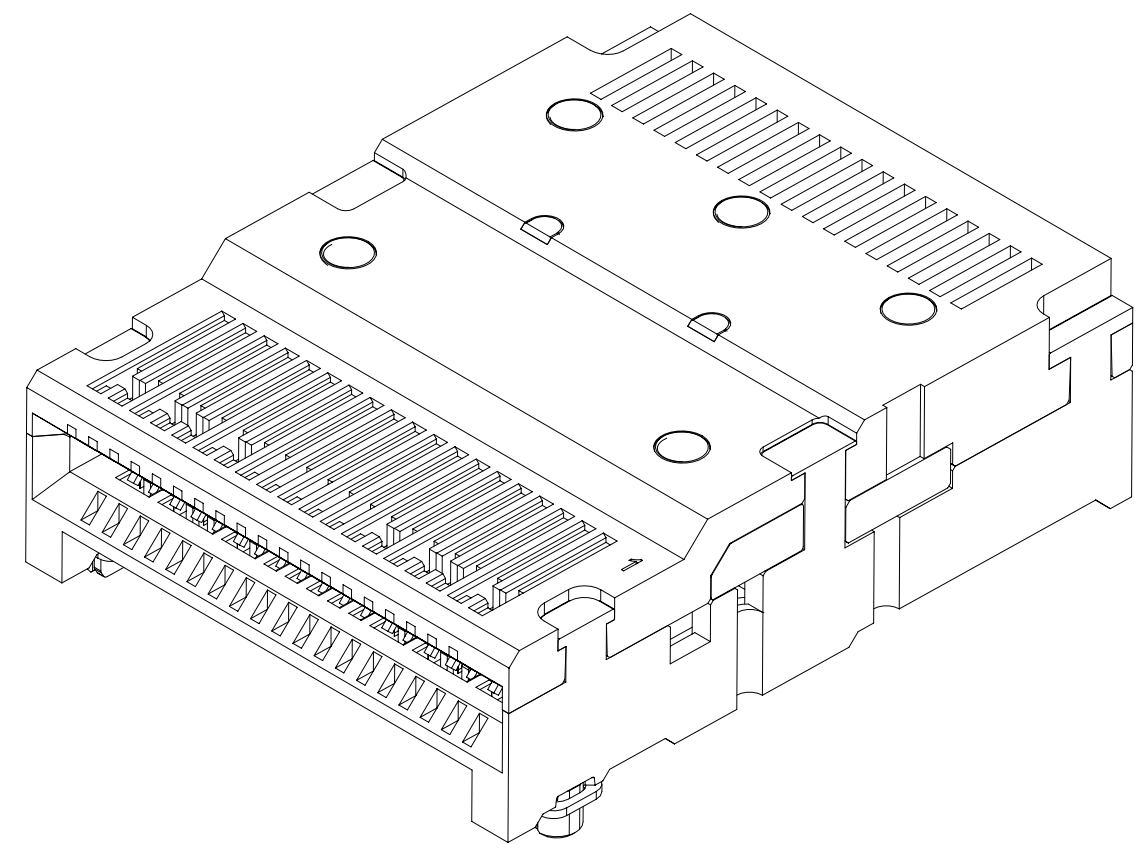
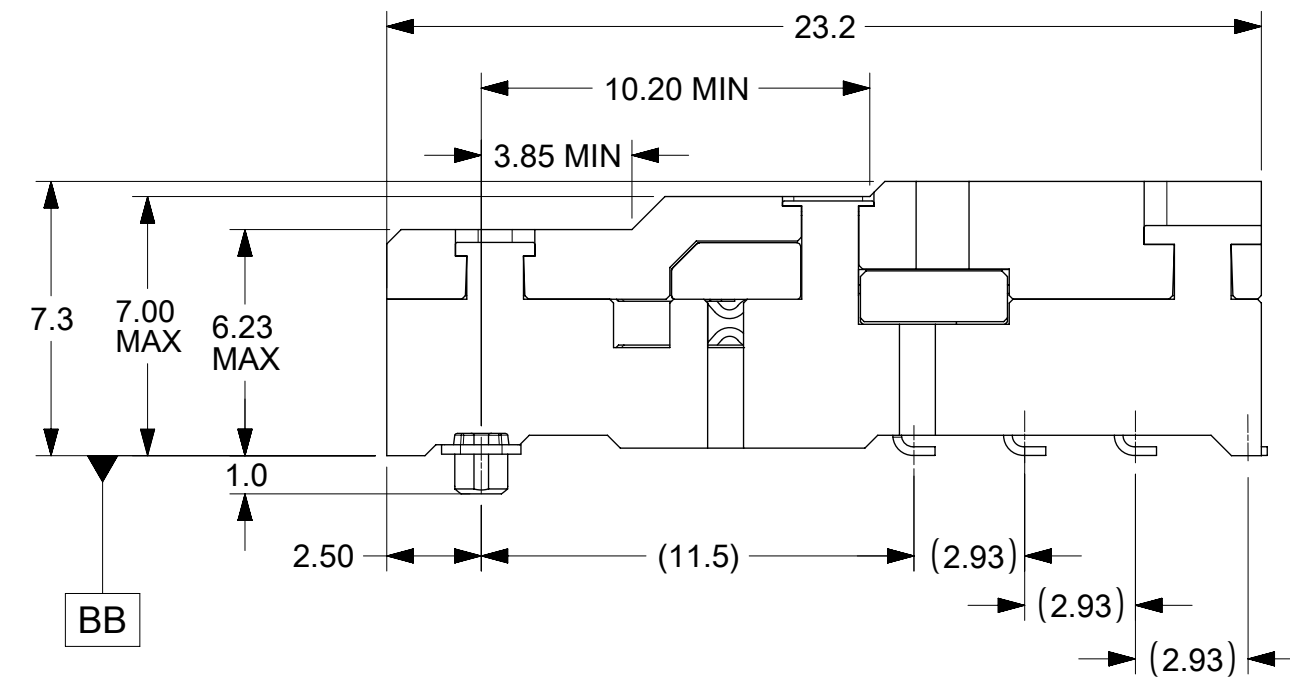
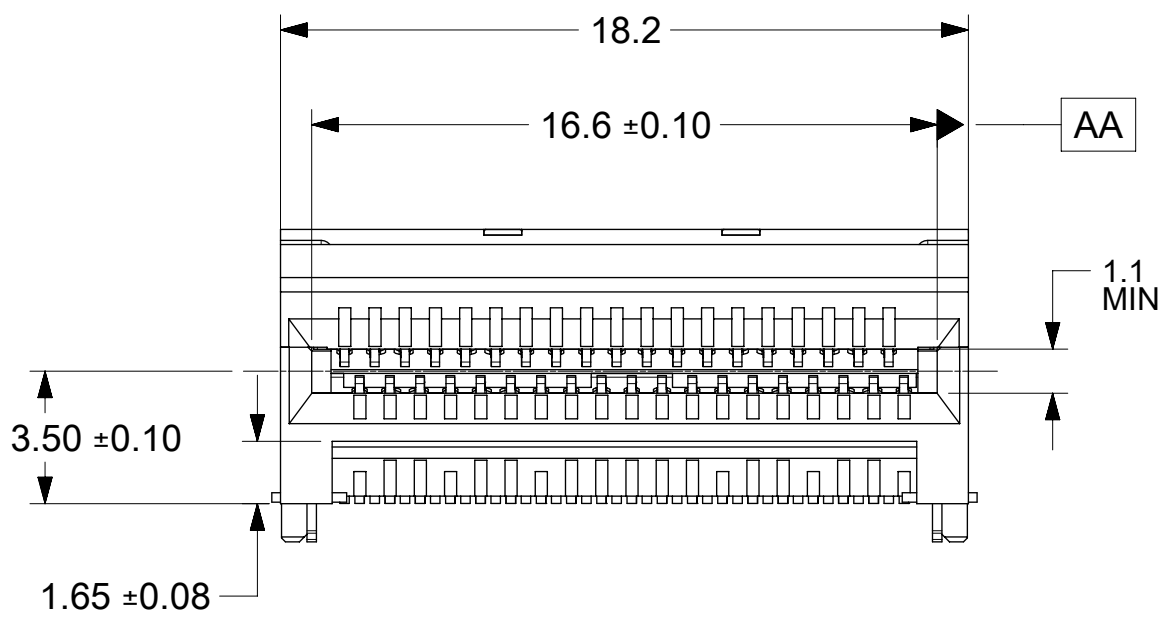
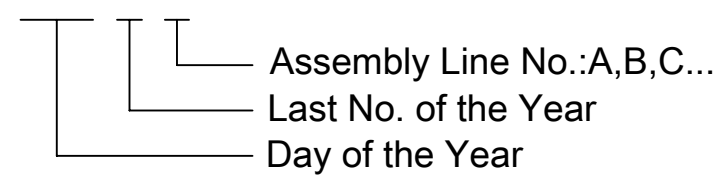


DATE CODE
SEE NOTES 10

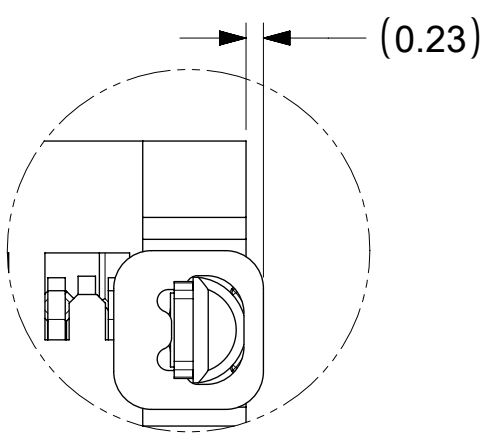
DDYN

NOTES

1. MATERIAL:
HOUSING - HIGH TEMPERATURE THERMOPLASTIC GLASS FILLED. UL 94V-0. BLACK.
TERMINALS - COPPER ALLOY
SOLDER RING / NAIL: NICKEL SILVER
2. PLATING:
CONTACT AREA - 0.76um MIN GOLD OVER 2.54um MIN NICKEL
SOLDER AREA - 2.54um MIN TIN OVER 2.54um MAX NICKEL
3. TERMINAL SOLDER FEET TO BE COPLANAR WITHIN 0.10/.004 MEASURED FROM FRONT HOUSING STAND OFF (DATUM -BB-)
4. DATE CODE: 4 DIGIT (3 DIGIT DATE, 1 DIGIT YEAR)
5. CIRCUIT IDENTIFIER: SEE APPROPRIATE INDUSTRY SPECIFICATION FOR LOCATION OF PIN 1
6. PACKAGED PER PACKING SPECIFICATION: 2027188000
7. CONFORMS TO PRODUCT SPECIFICATION: 2027189010-PS
8. APPLICATION SPECIFICATION: 2027189030-AS
9. THIS PART CONFORMS TO CLASS C REQUIREMENTS OF COSMETIC SPECIFICATION PS-45499-002
10. DATE CODE : DDD Y N



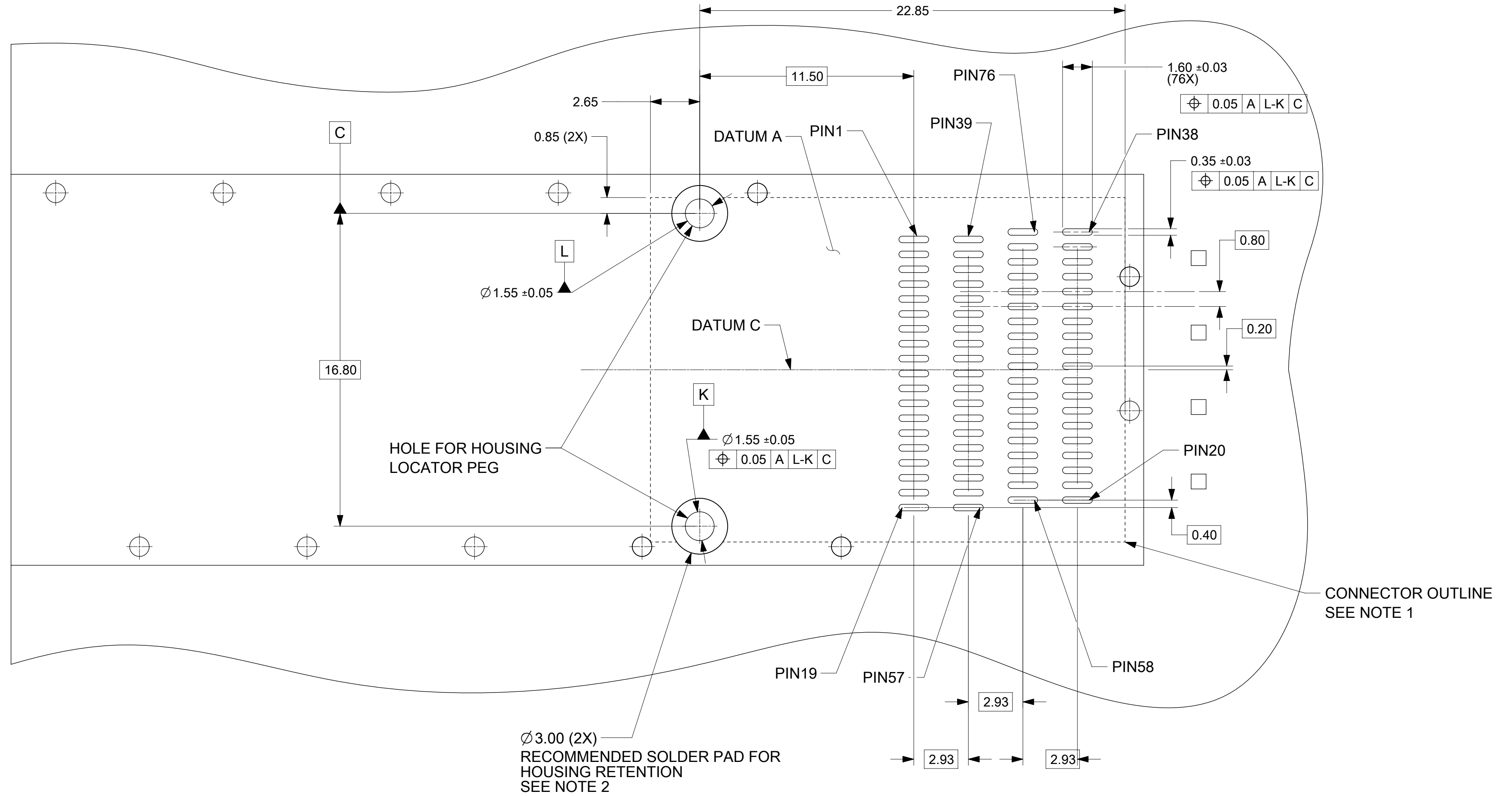
SEE DETAIL B
R0.70 ± 0.05 (2X)
Ø0.08 (M) BB AA



DETAIL B
SCALE 10:1

FUNCTIONAL SYMBOLS	THIS DRAWING CONTAINS INFORMATION THAT IS PROPRIETARY TO MOLEX ELECTRONIC TECHNOLOGIES, LLC AND SHOULD NOT BE USED WITHOUT WRITTEN PERMISSION		CURRENT REV DESC:		molex
	DIMENSION UNITS	SCALE			
FA = 0	mm	5:1			ASSEMBLY DDQ SMT CONNECTOR 76CKT
EC = 0	GENERAL TOLERANCES (UNLESS SPECIFIED)				
EP = 0	ANGULAR TOL ± 1.0°				PRODUCT CUSTOMER DRAWING
#####	4 PLACES	±	EC NO: 690119	2021/12/01	
	3 PLACES	±	DRWN: SSU09	2021/12/24	
	2 PLACES	± 0.13	CHK'D: WZHAO21	2021/12/24	
	1 PLACE	± 0.25	APPR: WZHAO21	2021/12/24	
	0 PLACES	±	INITIAL REVISION:		
	DRAFT WHERE APPLICABLE MUST REMAIN WITHIN DIMENSIONS		DRWN: LZHUANG06	2017/04/07	DOCUMENT NUMBER
	THIRD ANGLE PROJECTION		APPR: SMILLER	2017/12/18	2027180100
	DRAWING		SERIES	MATERIAL NUMBER	CUSTOMER
	C-SIZE		202718		
					DOC TYPE DOC PART REVISION
					PSD 000 C6
					SHEET NUMBER
					1 OF 3

MOTHERBOARD FOOTPRINT RECOMMENDATION



NOTE:

1. THE ENTIRE AREA UNDER THE CONNECTOR IS KEEP OUT ZONE FOR COMPONENTS.
2. SEE APPLICATION SPECIFICATION 2027189030-AS FOR RECOMMENDATIONS ON REFLOW SOLDERING AND REWORK.
3. SEE MOLEX ROUTING GUIDE 2027189040-RS FOR RECOMMENDATIONS ON PCB DESIGN
4. SEE PRODUCT SPECIFICATION 2027189010-PS FOR CONNECTOR PERFORMANCE SPECIFICATIONS.
5. THIS PART IS FULLY COMPLIANT WITH QSFP-DD MSA AND DESIGNED TO WORK WITH ALL COMPLIANT CAGES AND TRANSCEIVERS.

FUNCTIONAL SYMBOLS FA = 0 FC = 0 FP = 0 #####	THIS DRAWING CONTAINS INFORMATION THAT IS PROPRIETARY TO MOLEX ELECTRONIC TECHNOLOGIES, LLC AND SHOULD NOT BE USED WITHOUT WRITTEN PERMISSION		CURRENT REV DESC:		
	DIMENSION UNITS mm	SCALE 5:1	EC NO: 690119 DRWN: SSU09 CHK'D: WZHAO21 APPR: WZHAO21		
GENERAL TOLERANCES (UNLESS SPECIFIED)		ANGULAR TOL ± 1.0°		PRODUCT CUSTOMER DRAWING	
4 PLACES ±		3 PLACES ±		DOCUMENT NUMBER	
2 PLACES ± 0.13		1 PLACE ± 0.25		2027180100	
0 PLACES ±		DRAFT WHERE APPLICABLE MUST REMAIN WITHIN DIMENSIONS		MATERIAL NUMBER	
THIRD ANGLE PROJECTION		DRAWING		CUSTOMER	
C-SIZE		SERIES		SHEET NUMBER	
202718		2017/04/07		2 OF 3	

REVISION	DATE	DISCRIPTION
1	04/07/2017	INITIAL CONCEPT
2	09/27/2017	ADDED SHEET SHOWING VIEWS OF BOTH SINGLE SIDE AND BELLY TO BELLY MOUNTING, ADDED SOLDER PAD FOR HOUSING RETENTION, AND ADHESIVE PADS ADDED EXPLODED VIEWS
A	12/06/2017	INITIAL PROPOSAL - (ER)
A1	12/18/2017	INITIAL RELEASE (NEW PRODUCT)
B	12/21/2017	UPDATE VIEWS
B1	02/02/2018	UPDATE VIEWS, ADD PK AS PS SPEC, ADD ADHESIVE PADS NOTE, CORRECT BELLY TO BELLY PCB LAYOUT
B2	4/11/2018	ALIGN DIMENSIONAL CALLOUTS TO MATCH MSA
C	4/25/2018	ADD TWO PASS REFLOW PROCESS NOTE
C1	10/23/2018	DRAWING CLEANUP: SH04 SIZE C WAS D. SH05 SIZE C WAS D.
C2	01/15/2019	SH04/B12,ADDEDTRACEKEEPOUTNOTES1THRU5;SH04/C3,CHANGEDUHATCHEDREGIONSURFACETRACEPERMISSION;SH04,ADDEDNEWTRACEKEEPOUTREGIONS.
C3	02/13/2020	UPDATE SHEET 1 HEAT STAKED
C4	03/02/2020	1.ADD SOLDER RING NOTCH ; 2.UPDATE HEAT STAKE POST FINAL STATUS.
C5	06/28/2021	UPDATE DATE CODE FORMAT, FROM "DDDY" TO "DDYN"
C6	12/01/2021	1.REMOVE SHEET 4 FOR PCB LAYOUT AND KEEPOUT INFORTION, REMOVE SHEET 5 FOR CAGE INFORMATION, COMBINE SHEET 6 PIN MAP TO SHEET 2. 2.UPDATE SHEET 2 CAGE HOLE DIM TO REFERENCE, WAS BAISC DIM. 3.UPDATE NOTES ON SHEET 3 FOR PCB LAYOUT TRACE AND KEEPOUT INFORMATION.

FUNCTIONAL SYMBOLS FA = 0 FC = 0 FP = 0 ##### DRAFT WHERE APPLICABLE MUST REMAIN WITHIN DIMENSIONS	THIS DRAWING CONTAINS INFORMATION THAT IS PROPRIETARY TO MOLEX ELECTRONIC TECHNOLOGIES, LLC AND SHOULD NOT BE USED WITHOUT WRITTEN PERMISSION			CURRENT REV DESC: EC NO: 690119 DRWN: SSU09 CHK'D: WZHAO21 APPR: WZHAO21 INITIAL REVISION: DRWN: LZHUANG06 APPR: SMILLER						
	DIMENSION UNITS: mm SCALE: 1:1	GENERAL TOLERANCES (UNLESS SPECIFIED) ANGULAR TOL ± 1.0°			2021/12/01 2021/12/24 2021/12/24			ASSEMBLY DDQ SMT CONNECTOR 76CKT		
	4 PLACES ± 3 PLACES ± 2 PLACES ± 0.13 1 PLACE ± 0.25 0 PLACES ±	THIRD ANGLE PROJECTION 			2017/04/07 2017/12/18			PRODUCT CUSTOMER DRAWING		
		DRAUGHTING SYMBOLS: C-SIZE			SERIES: 202718			DOCUMENT NUMBER: 2027180100 DOC TYPE: PSD DOC PART: 000 REVISION: C6		
MATERIAL NUMBER:		CUSTOMER:		SHEET NUMBER: 3 OF 3						