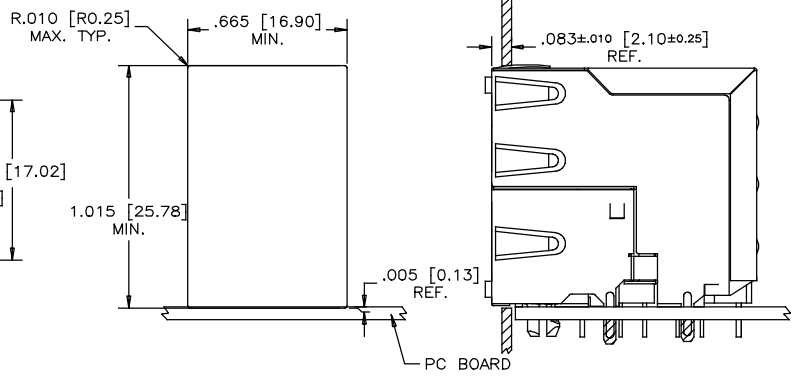
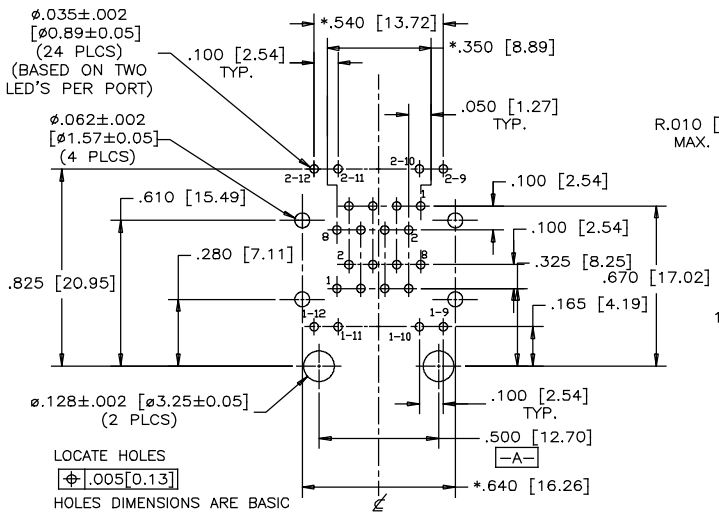
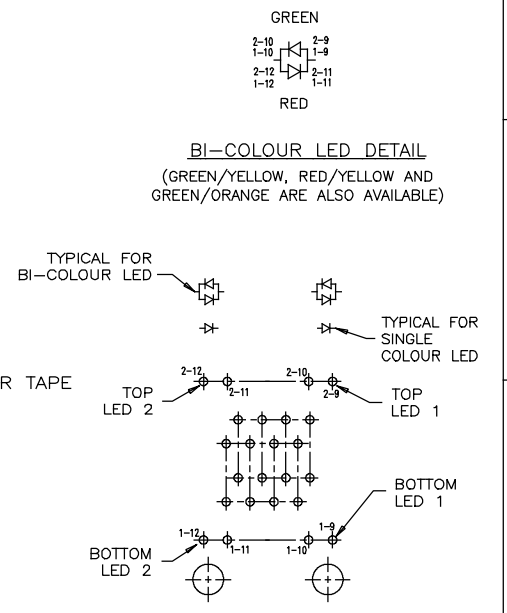
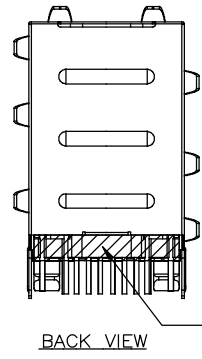
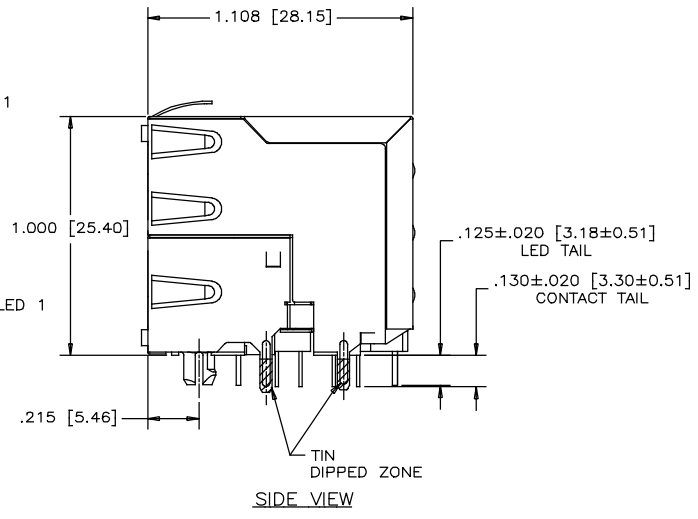
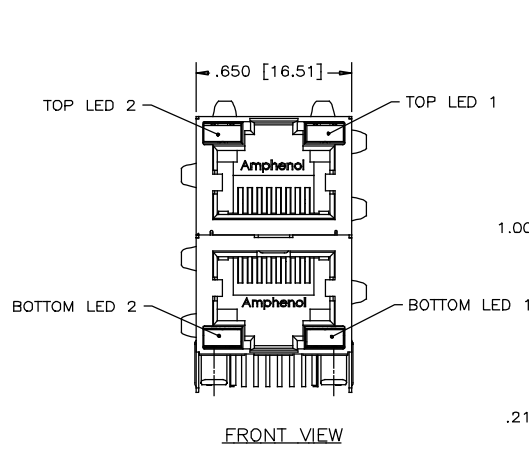


REVISIONS				
SYM	ZONE	ECN, ERN NO.	DATE	APPRD.
A		PROPOSAL	SEP.16/15	L.CHAN
B		ADD BACK VIEW	SEP.16/15	L.CHAN



MATERIALS:
CONTACTS: PHOSPHOR BRONZE, SELECTIVELY PLATED GOLD PLATING ON MATING AREAS REFER TO AMPHENOL PART NO. 50 MICROINCHES MIN. NICKEL OVERALL. 100 MICROINCHES MIN. MATTE TIN OR GOLD FLASH ON TAILS.
HOUSING: ENGINEERING THERMOPLASTIC FLAMMABILITY RATING UL 94V-0, BLACK
SHIELD: COPPER ALLOY. PLATING: NICKEL WITH TIN DIPPED PCB TAILS.
RECOMMENDED SOLDERING TEMPERATURE: WAVE SOLDERING AT 260°C MAXIMUM FOR 5 SEC MAXIMUM

AMPHENOL PART NO.: RJSAE-X38X-A2X

GOLD PLATING OPTION:
 D=6u" GOLD PLATING
 C=15u" GOLD PLATING
 J=30u" GOLD PLATING
 5=50u" GOLD PLATING

REFER TO LED OPTIONS DRAWING FOR ORDERING CODES

RECOMMENDED P.C.B. LAYOUT (COMPONENT SIDE OF BOARD)

RECOMMENDED PANEL CUTOUT

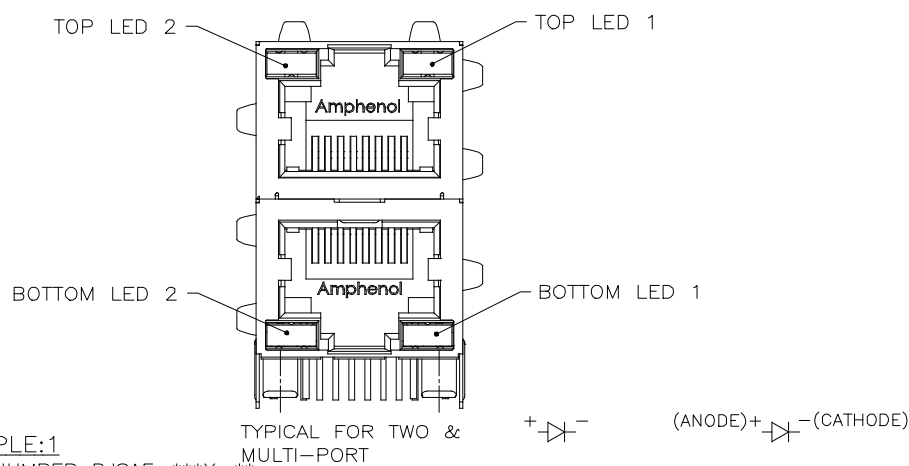
DIMENSIONS MARKED WITH * ARE SYMMETRICAL ABOUT CENTER LINE AS DEFINED BY DATUM -A-



UNLESS SPECIFIED OTHERWISE	DRAWN JACK.GUO	SEP.16/15
PRIMARY UNITS INCHES	CHECKED	
SECONDARY MILLIMETERS	M.E. APP'D	
REFERENCE IN PARENTHESES	Q.A. APP'D	
1 DECIMAL PLACE	DWG APP'D L.CHAN	SEP.16/15
2 DECIMAL PLACES	ENG. REL NO.	
3 DECIMAL PLACES ±0.015	REF.	
ANGULAR DEGREES ±1.5°	THIRD ANGLE PROJECTION	DO NOT SCALE DRAWING

Amphenol Canada Corp. Commercial Products	
STACKABLE 2x1 PORT MODULAR JACK, 8 POSITION, 8 CONTACTS, WITH LEDS, SHIELDED- RoHS COMPLIANT	
DWG NO. P-RJSAE-X38X-A2X	REV B
CODE ID NO. 03554	DWG SIZE SCALE SHEET 1 OF 1

REVISIONS			
REV	DESCRIPTION, ECN, EAR NO.	DATE	APP'D
H	PROPOSAL	JUL 04/12	L.CHAN
J	PROPOSAL	MAR 03/14	L.CHAN
K	ADD NEW COLOR OPTION	FEB 09/17	L.CHAN



LED SPECIFICATIONS:
 FORWARD VOLTAGE: 2.1 VOLTS TYP.
 REVERSE VOLTAGE: 5.0 VOLTS MIN.
 LUMINOUS INTENSITY: 0.5 mCd MIN.
 (AT If=2mA)
 STORAGE TEMPERATURE: -20° TO 85° C
 PLATING ON TAILS: TIN OR TIN/COPPER ALLOY OVER SILVER

PRIMARY COLOR FOR BI-COLOR
 LEDS IN STANDARD ANODE/
 CATHODE CONFIGURATION IS:
 RED-GREEN= RED
 RED-YELLOW= RED
 GREEN-YELLOW= GREEN
 GREEN-ORANGE= GREEN



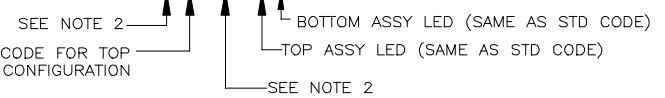
LEGEND
 BiC=BI-COLOR LED
 LOWC=LOW CURRENT LED
 YE=YELLOW
 GR=GREEN
 RD=RED
 OR=ORANGE

NOTES:
 1. THE TWO DIGITS PRECEDING THE ADDITIONAL LED CODE MUST BE USED IN THE PART NUMBER, WHEN ORDERING ANY OF THE ADDITIONAL LED OPTIONS.
 2. '*' REPRESENT DIFFERENT OPTION OF CONNECTOR, DETAIL OPTION PLEASE SEE RELEVANT CONNECTOR DRAWING.

EXAMPLE:1
 PART NUMBER RJS AE-***X-**

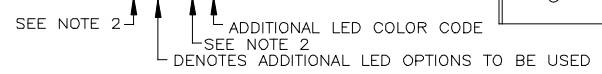


EXAMPLE:2
 PART NUMBER RJS AE-***U-**-XX



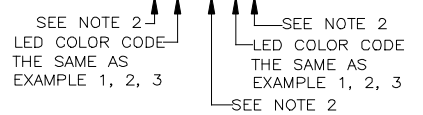
CODE	LED 2 (LEFT)	LED 1 (RIGHT)	CODE	LED 2 (LEFT)	LED 1 (RIGHT)	CODE	LED 2 (LEFT)	LED 1 (RIGHT)
0	BLOCKED	BLOCKED	9	GREEN	BLOCKED	J	BiC RD/GR	YELLOW
1	YELLOW	GREEN	A	BiC GR/YE	BiC GR/YE	K	YELLOW	BiC GR/OR
2	BLOCKED	GREEN	B	BiC RD/GR	BiC RD/GR	L	BiC GR/YE	RED
3	YELLOW	BLOCKED	C	BiC RD/GR	BiC GR/YE	M	RED	YELLOW
4	GREEN	YELLOW	D	GREEN	BiC GR/YE	N	BiC GR/RD	BiC GR/YE
5	GREEN	GREEN	E	YELLOW	BiC GR/YE	P	GREEN	BiC RD/GR
6	YELLOW	YELLOW	F	BiC GR/YE	YELLOW	R	BiC GR/OR	GREEN
7	RED	GREEN	G	BiC GR/OR	BiC GR/OR	T	RED	RED
8	GREEN	RED	H	BiC GR/YE	GREEN	V	BiC RD/GR	GREEN
						W	ADDITIONAL OPTIONS	
						U	SPECIAL CODE FOR TOP & BOTTOM LEDS CONFIGURATION	

EXAMPLE:3
 PART NUMBER RJS AE-***W-**X



CODE	LED 2 (LEFT)	LED 1 (RIGHT)	CODE	LED 2 (LEFT)	LED 1 (RIGHT)	CODE	LED 2 (LEFT)	LED 1 (RIGHT)
0	DO NOT USE		5	BLOCKED	YELLOW	A	LOWC YE	LOWC YE
1	RED	BLOCKED	6	RED	BiC RD/GR	B	LOWC YE	LOWC GR
2	BiC GR/OR	YELLOW	7			C	LOWC GR	LOWC YE
3	YELLOW	RED	8	BiC RD/GR	BLOCKED	D	LOWC GR	LOWC GR
4	BLOCKED	RED	9	BiC GR/YE	BLOCKED	M	LOWC RD	LOWC YE
						N	GREEN	BiC GR/OR
						E	GREEN	ORANGE
						F	ORANGE	GREEN
						G	BiC YE/GR	BiC YE/GR
						P	BiC RD/YE	GREEN
						R	BiC RD/YE	BiC RD/YE
						T	BiC GR/YE	BiC RD/GR
						H	BLUE	RED

EXAMPLE:4
 PART NUMBER RJS AE-***X-**XX*



UNLESS SPECIFIED OTHERWISE	DRAWN PAUL WANG	DATE JUL 22/05	Amphenol Canada Corp. www.amphenolcanada.com
PRIMARY UNITS	CHECKED LAWRENCE C.	JUL 22/05	
SECONDARY	M.E. APP'D		TITLE
REFERENCE IN PARENTHESES	Q.A. APP'D		LED OPTIONS FOR RJS AE, MULTI-PORT CONNECTORS - RoHS COMPLIANT
GENERAL TOLERANCES	DWG APPR.		DWG. NO.
1 DECIMAL PLACE	ENG. REL. NO.		P-RJS AE-LEDS
2 DECIMAL PLACES	REF.		REV
3 DECIMAL PLACES	THIRD ANGLE PROJECTION	DO NOT SCALE DRAWING	K
ANGULAR DEGREES			CODE ID NO. 03554 DWG SIZE: C SCALE: N/A SHEET 1 OF 1