

Customer Information Sheet

DRAWING No.: G125-22496F5-XX-XX-00

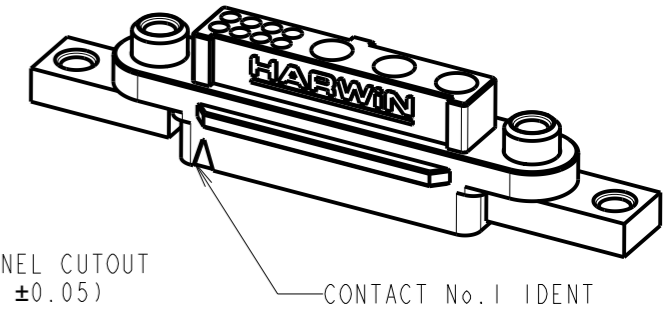
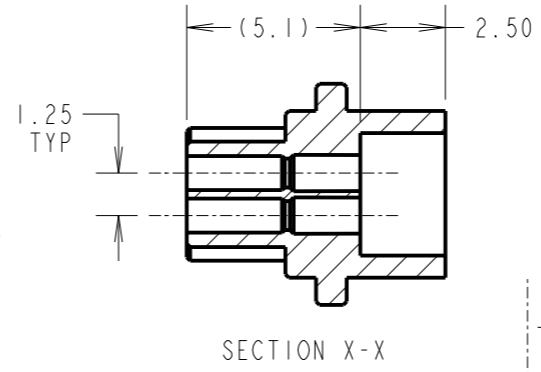
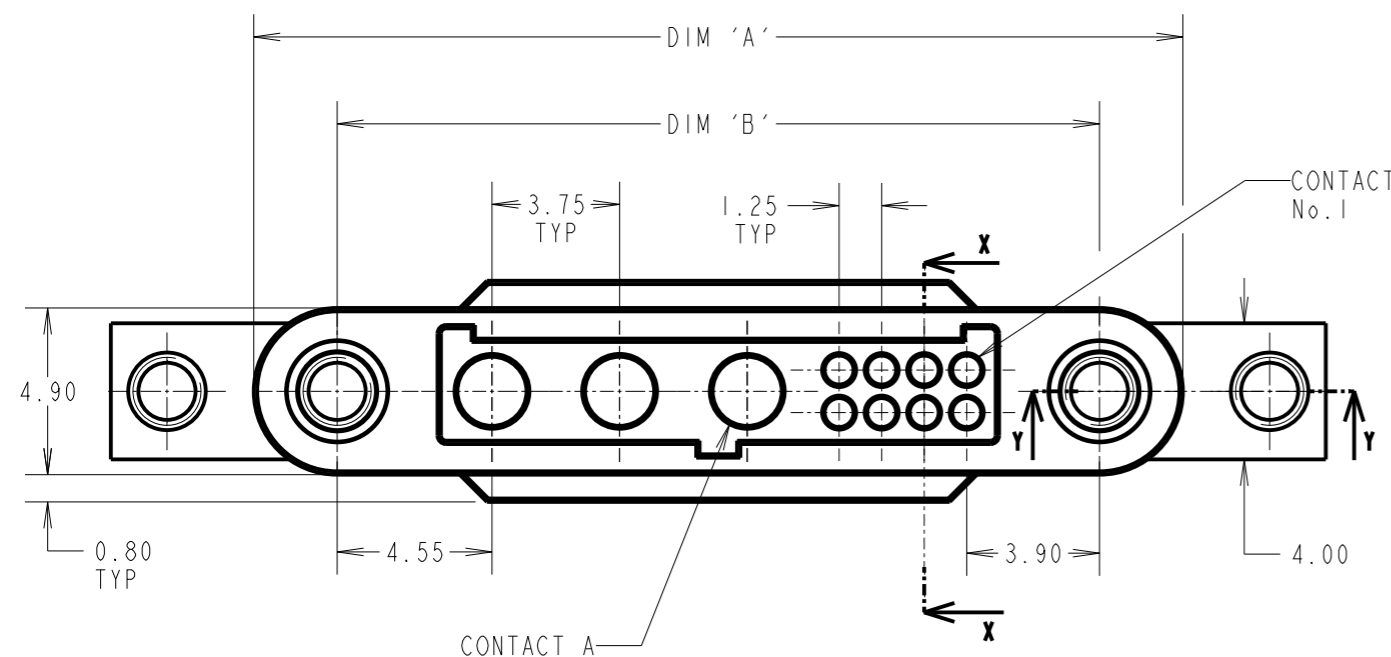
IF IN DOUBT - ASK

©

NOT TO SCALE

THIRD ANGLE PROJECTION

ALL DIMENSIONS IN mm



RECOMMENDED PCB PANEL CUTOUT
(ALL TOLERANCES ±0.05)

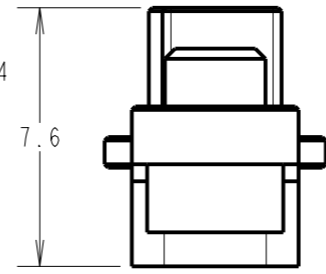
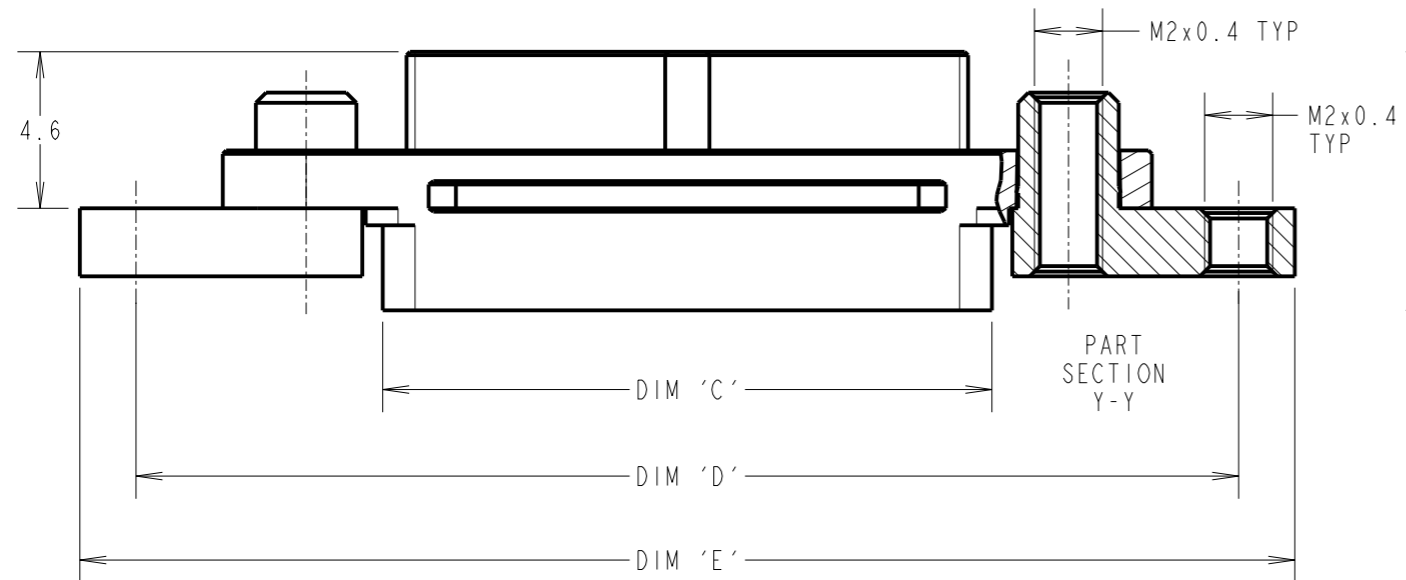
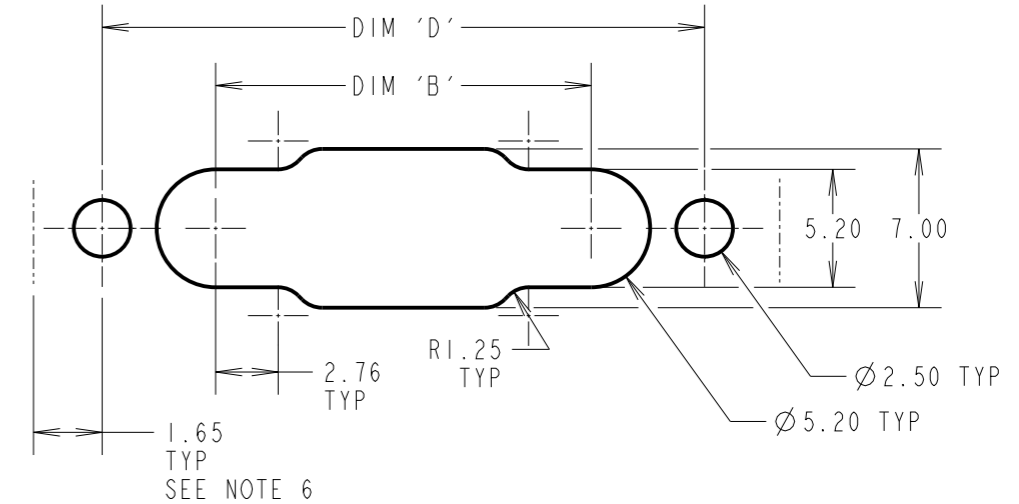
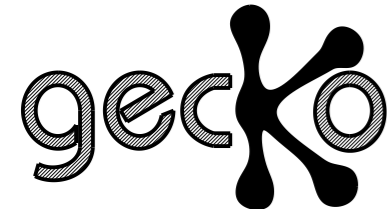


TABLE 2: EXISTING VARIANTS

PART No.	No. OF POWER CONTACTS	No. OF SIGNAL CONTACTS
G125-22496F5-02-04-00	02	04
G125-22496F5-03-08-00	03	08
G125-22496F5-04-04-00	04	04
G125-22496F5-02-24-00	02	24
G125-22496F5-04-16-00	04	16
G125-22496F5-06-08-00	06	08

TABLE 1: DIMENSION CALCULATIONS

DIMENSION	CALCULATION
DIM 'A'	$((\text{TOTAL No. OF SIGNAL CONTACTS} - 2) \times 0.625) + ((\text{TOTAL No. OF POWER CONTACTS} - 1) \times 3.75) + 16.05$
DIM 'B'	$((\text{TOTAL No. OF SIGNAL CONTACTS} - 2) \times 0.625) + ((\text{TOTAL No. OF POWER CONTACTS} - 1) \times 3.75) + 11.15$
DIM 'C'	$((\text{TOTAL No. OF SIGNAL CONTACTS} - 2) \times 0.625) + ((\text{TOTAL No. OF POWER CONTACTS} - 1) \times 3.75) + 6.60$
DIM 'D'	$((\text{TOTAL No. OF SIGNAL CONTACTS} - 2) \times 0.625) + ((\text{TOTAL No. OF POWER CONTACTS} - 1) \times 3.75) + 21.15$
DIM 'E'	$((\text{TOTAL No. OF SIGNAL CONTACTS} - 2) \times 0.625) + ((\text{TOTAL No. OF POWER CONTACTS} - 1) \times 3.75) + 24.45$



ORDER CODE:
G125-22496F5-XX-XX-00
 No. OF POWER CONTACTS: SEE TABLE 2 No. OF SIGNAL CONTACTS: SEE TABLE 2

- NOTES:
- HOUSING TO BE USED WITH G125-0010005 OR G125-0020005 FEMALE SIGNAL CONTACTS AND G125-0500005 FEMALE POWER CONTACT.
 - FOR ASSEMBLY INSTRUCTIONS SEE INSTRUCTION SHEET IS-38.
 - FOR MATERIALS, FINISH AND SPECIFICATION SEE COMPONENT SPECIFICATION C125XX (LATEST ISSUE).
 - DRAWING SHOWING G125-22496F5-03-08-00.
 - RECOMMENDED HEX SCREW FOR MOUNTING ON PANELS UP TO 3mm MAX THICKNESS: G125-4520000B.
 - CLEARANCE REQUIRED BEHIND PANEL FOR HARDWARE.



THIS DRAWING AND ANY INFORMATION OR DESCRIPTIVE MATTER SET OUT HEREON ARE CONFIDENTIAL AND COPYRIGHT PROPERTY OF THE HARWIN GROUP AND MUST NOT BE DISCLOSED, LOANED, COPIED OR USED FOR MANUFACTURING, TENDERING OR FOR ANY OTHER PURPOSE WITHOUT THEIR WRITTEN PERMISSION.

TOLERANCES
 X. = ±1mm
 X.X = ±0.50mm
 X.XX = ±0.20mm
 X.XXX = ±0.01mm
 ANGLES = ±5°
 UNLESS STATED

MATERIAL:
 SEE ABOVE
 FINISH:
 S/AREA: mm²

TITLE:
 GECKO-MT FEMALE CABLE HOUSING
 DRAWING NUMBER:
G125-22496F5-XX-XX-00 SHT 2 OF 2

RTP	1	26.10.22	31971
NAME	ISS.	DATE	CN/CO
APPROVED: M.RUDKIN			
CHECKED: A.BOXALL			
DRAWN: R.PORTLOCK			
CUSTOMER REF.:			
ASSEMBLY DRG:			