

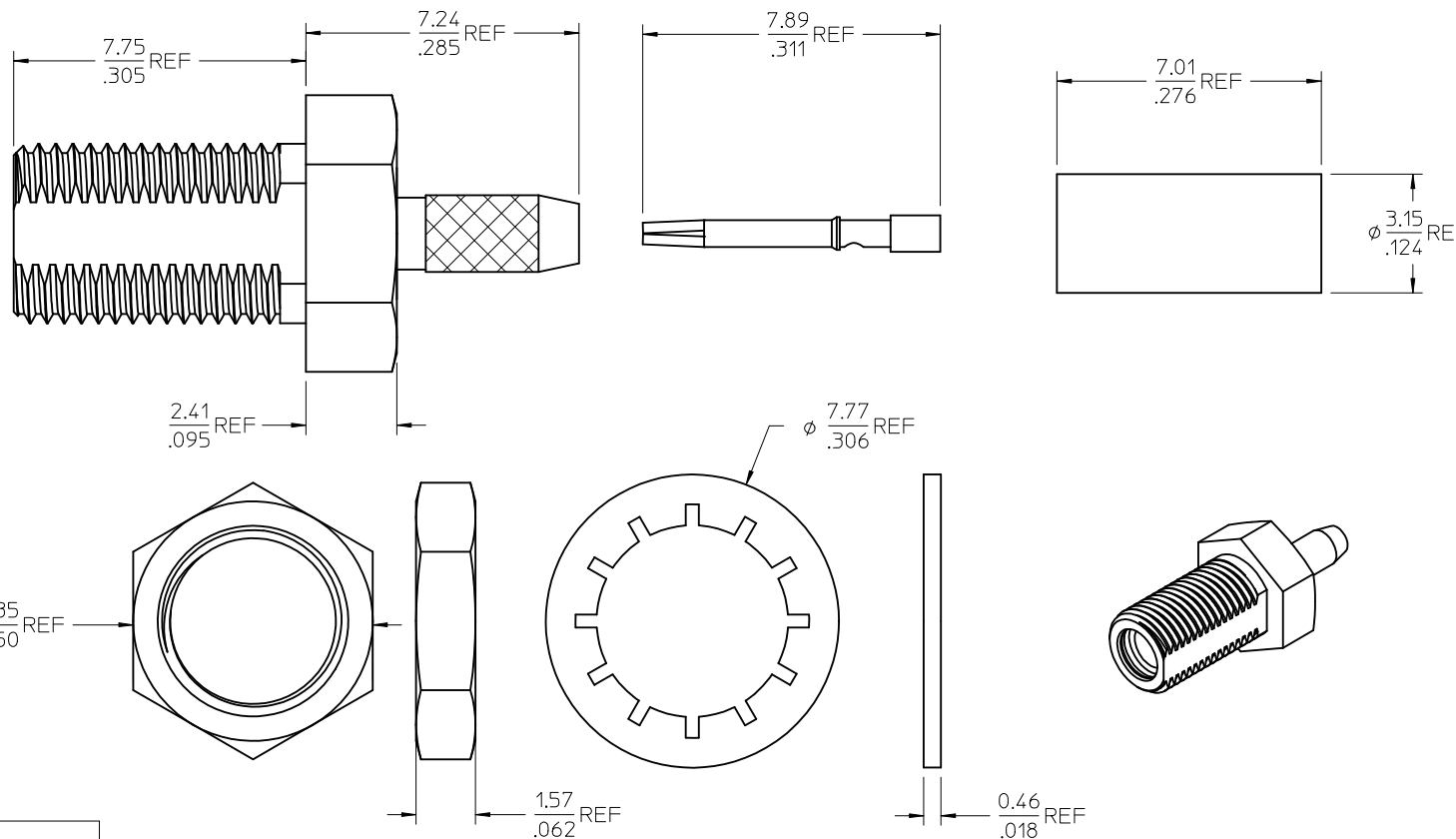
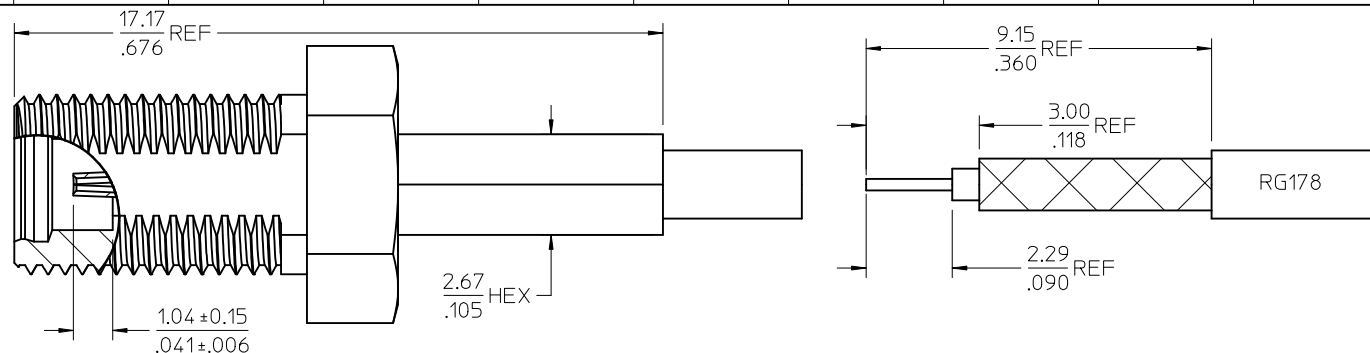
MATERIALS AND FINISHES

BODY: BRASS
PLATED GOLD

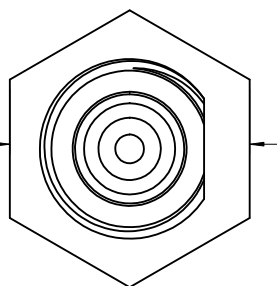
REAR BODY, JAM NUT, CRIMP TUBE: BRASS
PLATED GOLD

LOCK WASHER: PHOSPHOR BRONZE
PLATED GOLD

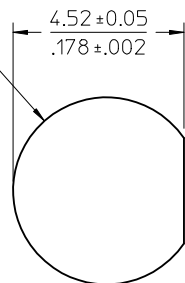
CONTACT: BERYLLIUM COPPER
PLATED GOLD



6.35 REF
.250



∅ 4.95 ± 0.05
.195 ± .002



PANEL CUT-OUT

PART # 73415-6280

CECC-22-340	INTERFACE
SPECIFICATION	DESCRIPTION

CHG: NEW DRAWING. EC NO: URF2009-0333 DRWN:ROBERTSON 2008/12/15 CHKD:SSS 2008/12/15 APPR:JWIENER 2008/12/15	
QUALITY SYMBOLS	DESCRIPTION
▽=0	
▽=0	

GENERAL TOLERANCES (UNLESS SPECIFIED) 4 PLACES ± --- ± --- 3 PLACES ± --- ± --- 2 PLACES ± --- ± --- 1 PLACE ± --- ± --- ANGULAR ± 2 °	DIMENSION STYLE MM/IN	SCALE DESIGN UNITS METRIC	THIRD ANGLE PROJECTION
	DRAWN BY AZR	DATE 2007/04/16	TITLE MMCX JACK FOR RG178 BULKHEAD MOUNT MMCX-JC, EWR-3322
DRAFT WHERE APPLICABLE MUST REMAIN WITHIN DIMENSIONS	MATERIAL NO. 734156280	DOCUMENT NO. SD-73415-628	SHEET NO. 1 OF 1

THIS DRAWING CONTAINS INFORMATION THAT IS PROPRIETARY TO MOLEX INCORPORATED AND SHOULD NOT BE USED WITHOUT WRITTEN PERMISSION
--