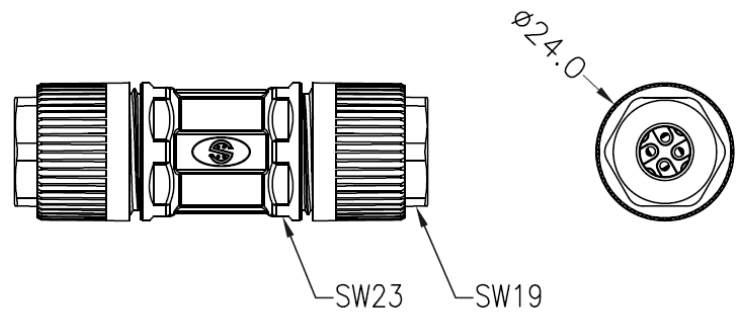
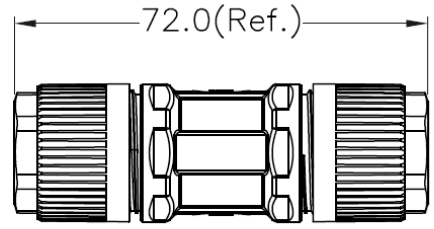
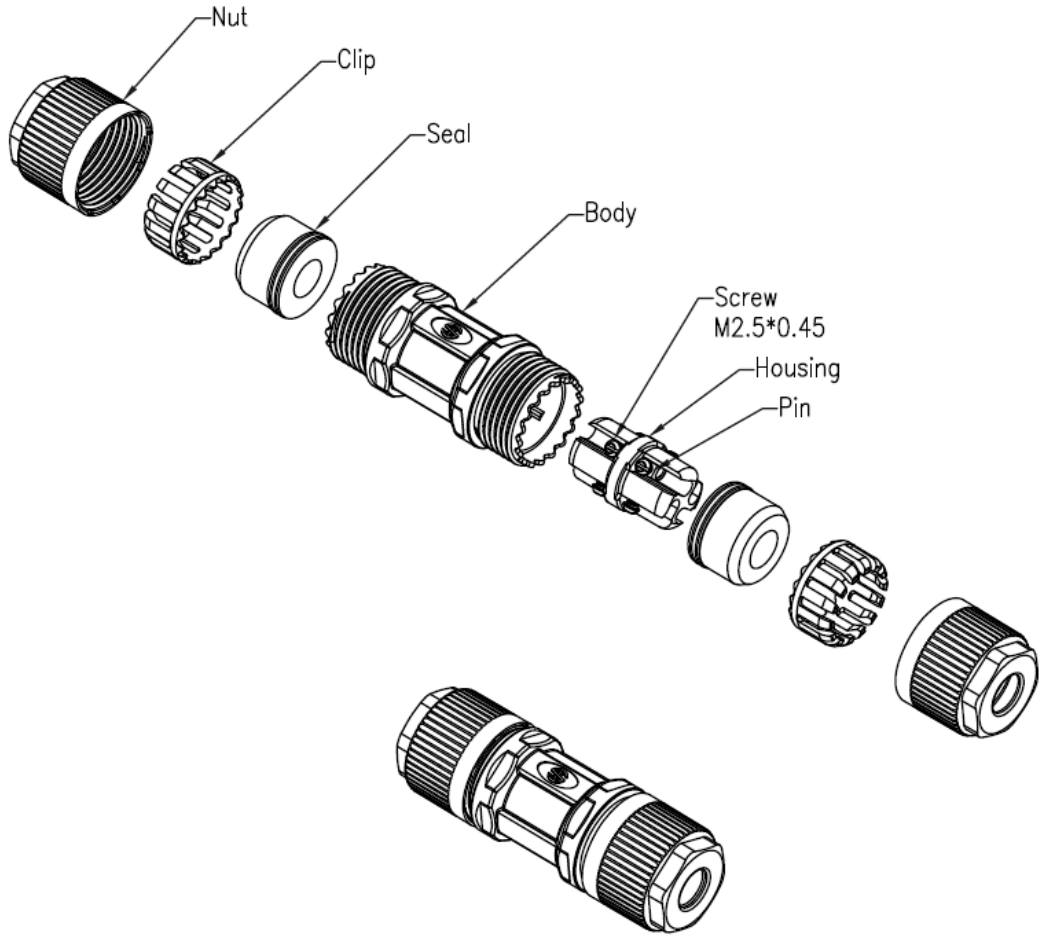
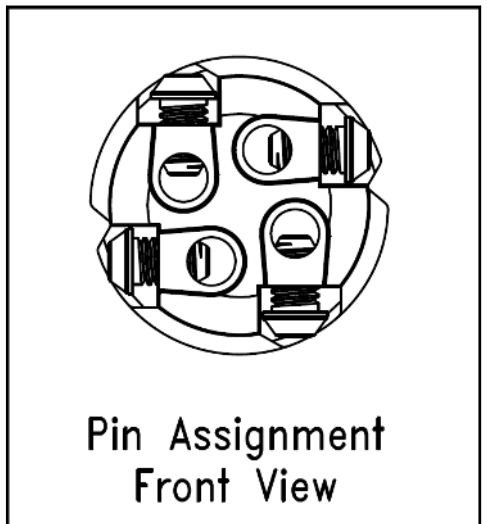


REVISIONS				REV	ZONE	ECO#	DESCRIPTION	DRAW	APPD	DATE
				A			INITIAL RELEASE	KC	-	



NOTES:

1. WATERPROOF RATE: IP68 (NO INGRESS OF DUST/PROTECTED AGAINST HARMFUL EFFECTS CAUSED IN 5 METER WATER WITHIN 30 MINUTES OF MATING)
2. TEMPERATURE RANGE: -25°C TO +85°C
3. CURRENT RATING: 20A MAX
4. CONDUCTOR RANGE: 14AWG~26AWG
5. CABLE DIAMETER: $\phi 6.5 \sim \phi 8.5 \text{mm}$
6. MATERIAL:
HOUSING: NYLON, BLACK
PIN: BRASS, NICKEL PLATED
SCREW: STEEL, NICKEL PLATED
7. SCREW TORQUE: 4.0 Kgf. cm MIN
8. NUT TORQUE: 19.6 Kgf. cm MIN
9. ONE SET UNASSEMBLED IN ONE PE BAG



NOTE: CAD GENERATED DRAWING DO NOT UPDATE MANUALLY.

PART NUMBER		CABLE JOINER, ASSY, 4PIN	
TOLERANCE EXCEPT AS NOTED:		IPJNR-04-SRFT	
ANGULAR	± .XX°	DECIMAL	.XX ± .XX
DECIMAL	.X ± .X	DECIMAL	.XXX ± .XXX
THIRD ANGLE PROJECTION		DATE	8/23/2019
SIZE	A	SCALE	NTS
SHEET 1 OF 1		REV	A

SURE-SEAL
2180 Hornig Road, Philadelphia, PA 19116

NOTICE OF CONFIDENTIALITY
THIS DRAWING IS THE PROPERTY OF PEI-GENESIS. ALL RIGHTS RESERVED. REPRODUCTION BY ANY MEANS OR DISTRIBUTION TO THIRD PARTIES IS STRICTLY PROHIBITED WITHOUT THE WRITTEN PERMISSION OF AN AUTHORIZED AGENT OF PEI-GENESIS.

DATE CODE: 2A589