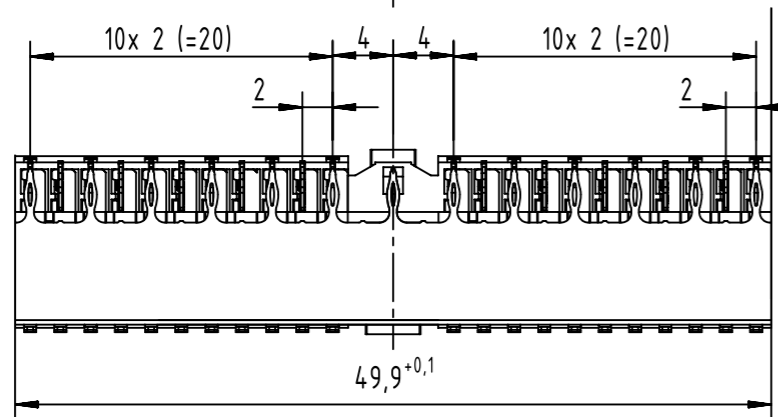
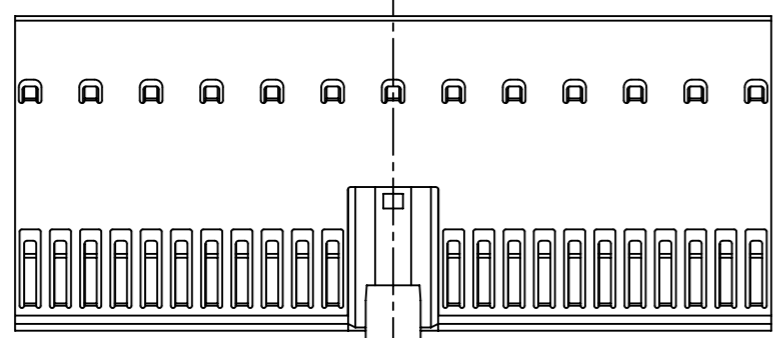
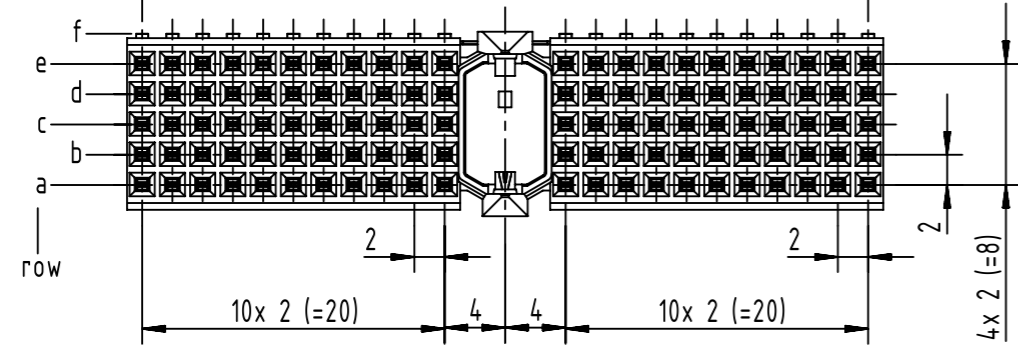
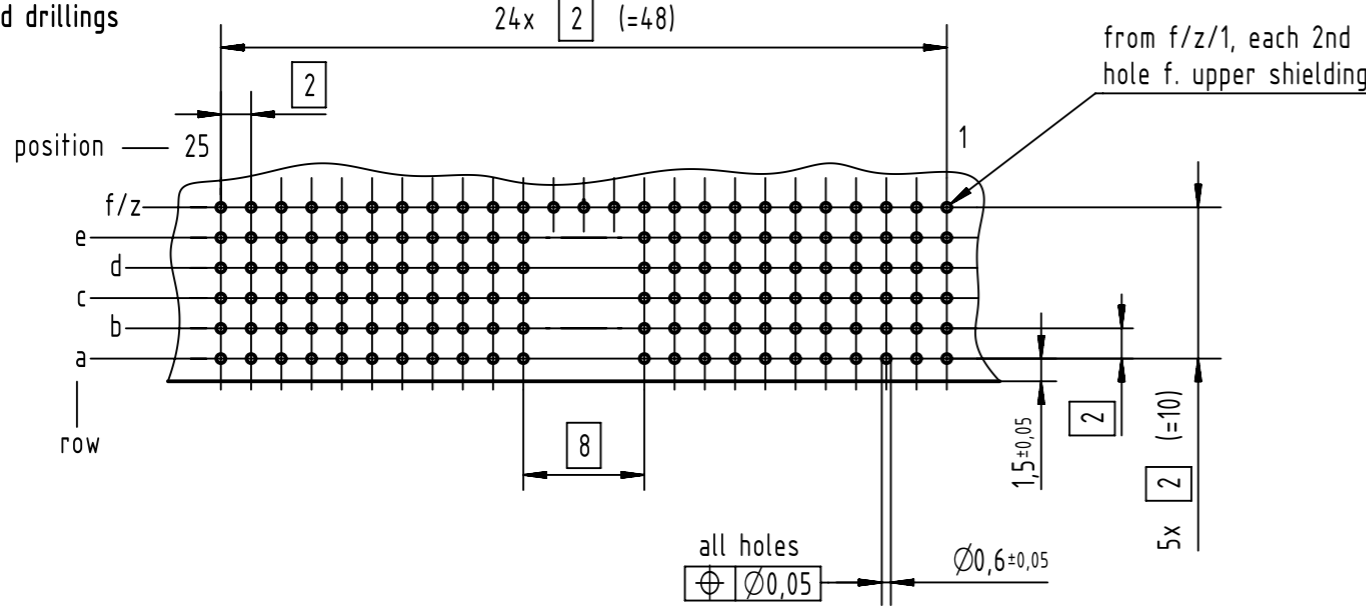


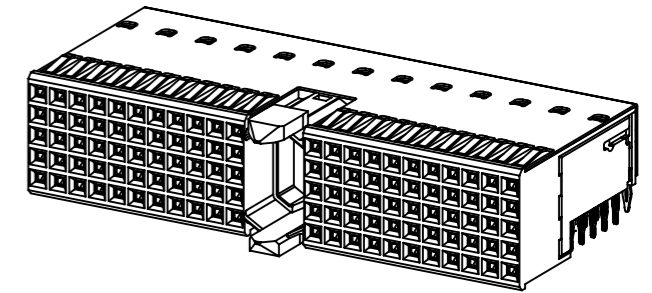
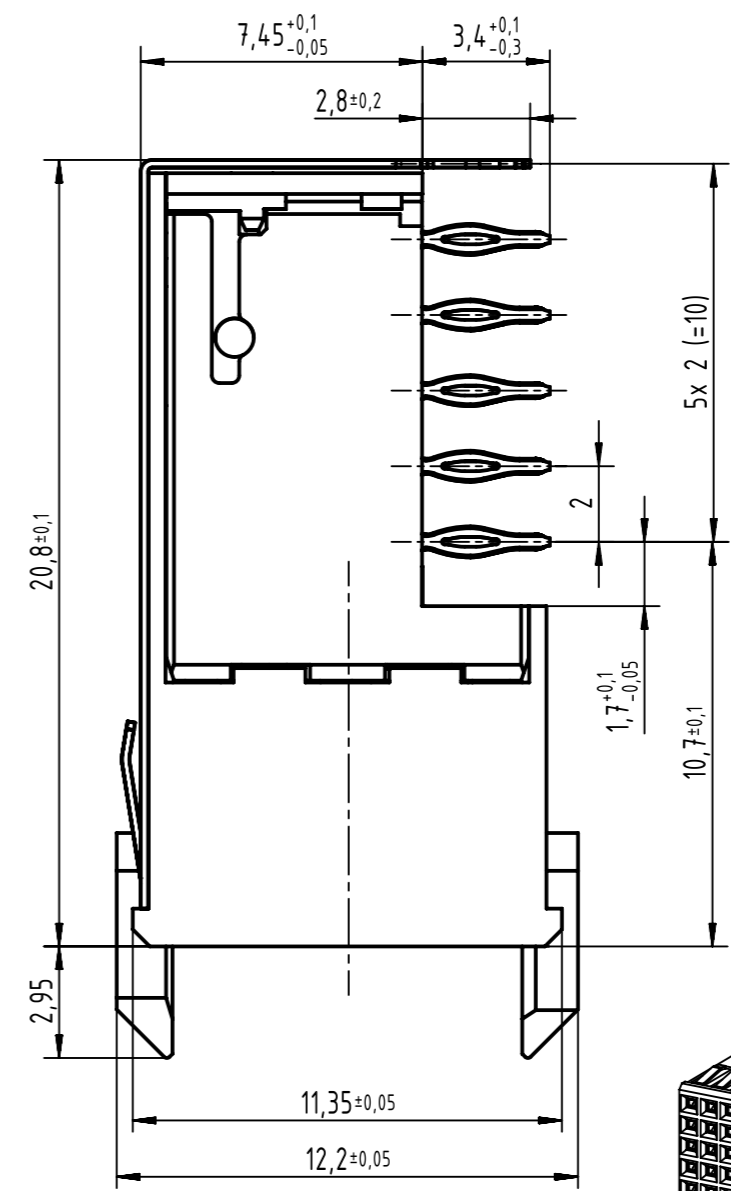
position — 25



board drillings



A (2:1)



| | |
|----------------|---------------------|
| 17 21 110 5102 | Au50 |
| 17 21 110 4102 | NM30 (S4) |
| 17 21 110 2102 | 2 |
| 17 21 110 1102 | 1 |
| part no. | performance level 1 |

1 recommended configuration of plated through holes and further information see: DS 17002200101

| | | | | | | |
|---|---------------------|---|-------------------------|--|--------------------|------------------------|
| | All rights reserved | Created by STORCK | Inspected by LEHNERT | Standardisation HOFFMANN | Date 2018-05-15 | State Final Release |
| | Department EL PD | Title har-bus HM female connector type A with shield | | Doc-Key / ECM-Nr. 100119996/UGD/010/B 500000135160 | | |
| HARTING Electronics GmbH D-32339 Espelkamp | | Type TB | Number 1721110X102 | | Rev. B | Page 1/1 |