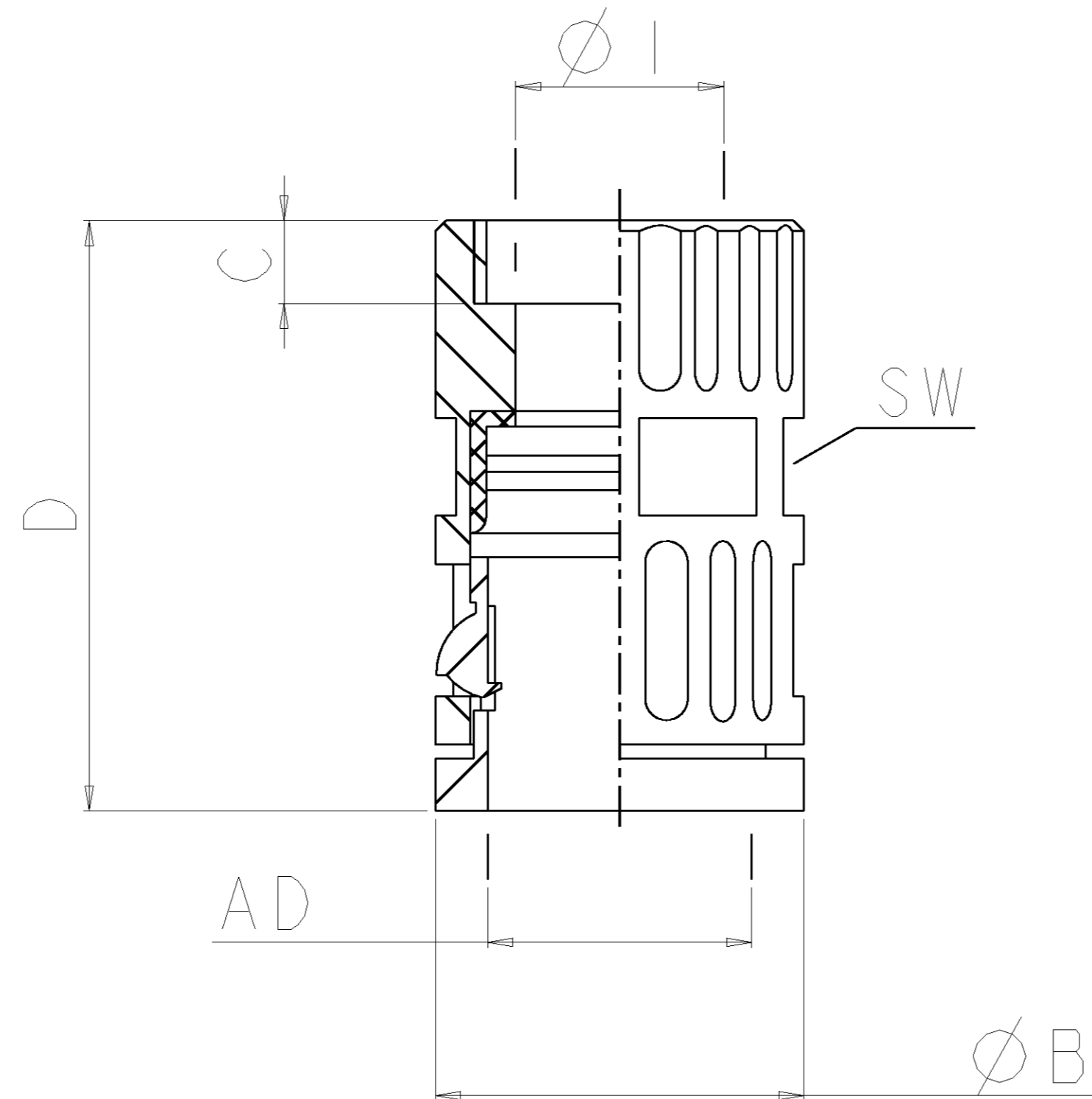


THIS DRAWING IS UNPUBLISHED. VERTRAULICHE UNVEROFFENTLICHTE ZEICHNUNG. RELEASED FOR PUBLICATION FREI FUER VEROFFENTLICHUNG. 04.OCT -98. MATED WITH: PASSEND ZU: BY TYCO ELECTRONICS CORPORATION. ALL RIGHTS RESERVED. ALLE RECHTE VORBEHALTEN. COPYRIGHT 19

LOC	DIST	REVISIONS					
FT	0	P	LTR	DESCRIPTION	DATE	DWN	APVD
PROJEKT NR.: E97-52579		A		New Drawing	21AUG97	K.L.	G.F.
		A1		TOLERANCE CHANGED	15JUN98	K.L.	G.F.
		B		REVISED PER 063B-0674-00	26FEB2002	EZ	SH



- ① Material: PA
- ② Color: black
- ③ Unscaled
- ④ DIN 16901-140
- ① Material: PA
- ② Farbe: schwarz
- ③ Unmassstaeblich
- ④ DIN 16901-140

AMP #	Trade Size	Thread	Length of Thread	Smallest Inner ϕ	Largest Outer ϕ	Total Length	Hex Width	Packaging Unit	approx. Weight
	Nenn-groesse	Gewinde	Gewinde-laenge	kleinster Innen ϕ	groesster Aussen ϕ	Gesamt-laenge	SchluesSEL-weite	Packungs-einheit	Gewicht
	mm	UNEF	mm	mm	mm	mm	mm	Stueck Pieces	kg/100p
	AD		C	ϕI	ϕB	D	SW		⑤
969813-5	28.5	1 3/16"-18	9.5	23.5	37	52.5	34	25	1.45
1-969813-5	28.5	1"-20	9.5	23.5	37	54	34	25	1.4
2-969813-5	28.5	1 3/8"-18	9.5	23.5	41	54	34	25	1.5
3-969813-5	28.5	1 7/16"-18	9.5	23.5	41	54	34	25	1.5
4-969813-7	28.5	15/16"-20	9.5	17	37	52.5	34	25	1.3

<small>THIS DRAWING IS A CONTROLLED DOCUMENT FOR TYCO ELECTRONICS CORPORATION IT IS SUBJECT TO CHANGE AND THE CONTROLLING ENGINEERING ORGANIZATION SHOULD BE CONTACTED FOR THE LATEST REVISION.</small> <small>DIESES ZEICHNUNGS-DOKUMENT WIRD DURCH AMP INCORPORATED KONTROLLIERT AND GEÄNDERT. DIE OBM TECHNISCHEN FORTSCHRITT DIESER, SIND VORBEHALTEN. DEN JEWELIS LETZTGEFALLENEN AENDERUNGSSTAND ERFAHREN SIE AUF ANFRAGE.</small>		DWN K.Lambart 21AUG97	AMP AMP Deutschland GmbH D - 63225 Langen
<small>DIMENSIONS: MASSE IN HEITEN: mm</small> <small>TOLERANCES UNLESS OTHERWISE SPECIFIED: ALLGEMEIN TOLERANZEN</small>		CHK W.Boeck 21AUG97	
<small>APVD: G.FELDMELER</small>		APVD G.FELDMELER 21AUG97	NAME RQG2 -U, AD 28.5, black Straight Connection Inner Thread gerade Verschraubung mit Innengewinde
<small>0 PLC ±</small> <small>1 PLC ±</small> <small>2 PLC ±</small> <small>3 PLC ±</small> <small>4 PLC ±</small> <small>ANGLES/WINKEL ±</small> <small>FINISH/OBERFLAECHE/FARBE</small>		<small>PRODUCT SPEC: 108-1696-1</small> <small>APPLICATION SPEC: 114-18277</small> <small>WEIGHT: -</small> <small>GEWICHT: -</small>	<small>SIZE: A2</small> <small>CAGE CODE: 00779</small> <small>DRAWING NO: 969813</small> <small>RESTRICTED TO NUR FUER: -</small>
<small>MATERIAL: -</small>		<small>CUSTOMER DRAWING</small> <small>SCALE: MASSSTAB</small> <small>SHEET: 3</small> <small>OF: 1</small> <small>REV: B</small>	