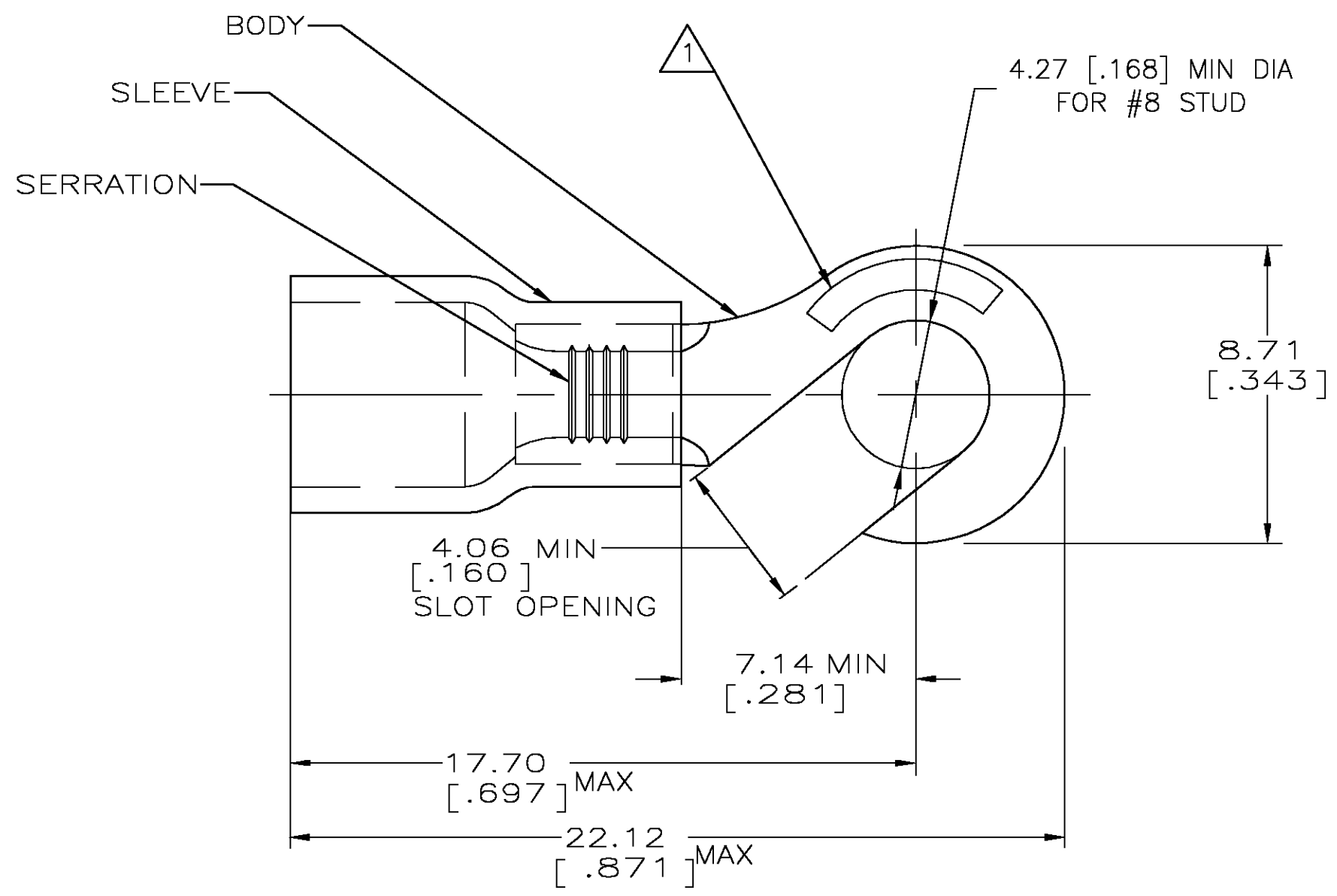


THIS DRAWING IS UNPUBLISHED. RELEASED FOR PUBLICATION  
 © COPYRIGHT BY TYCO ELECTRONICS CORPORATION. ALL RIGHTS RESERVED.

LOC	DIST	REVISIONS					
		P	LTR	DESCRIPTION	DATE	DWN	APVD
G	14		G	REV PER 0G3A-0832-04	28JAN05	JR	TM



<b>AMP</b> WIRE RANGE	Listed FILE E13288	LR7189 Certified
16-14 AWG SOLID OR STRANDED	16-14 AWG SOLID OR STRANDED	16-14 AWG SOLID OR STRANDED

- ① STAMP AMP 16-14\* APPROX AS SHOWN
- 2. WIRE INSUL DIA, 3.00-4.90 [.118-.193]
- 3. TONGUE MATL THK, 0.79±0.05 [.031±.002]
- ④ SUPERSEDED BY 2-320306-1
- ⑤ MATERIAL: BODY - CU PER ASTM B152  
SLEEVE - PVC, COLOR - BLUE

④	5000	ON TAPE, REEL	2-320263-1
	1000	LOOSE PIECE	320263
	QTY	PACKAGE TYPE	PART NO

<b>AMP INCORPORATED CUSTOMER SERVICE SYSTEMS</b>		MAX RECOMMENDED OPERATING TEMPERATURE: 105°C	THIS DRAWING IS A CONTROLLED DOCUMENT.		DWN L OLMEDA 05SEP95	<b>tyco</b> Tyco Electronics Corporation Harrisburg, Pa 17105-3608	
FOR ADDITIONAL PRODUCT INFORMATION OR COPIES OF DRAWINGS AND TECHNICAL DOCUMENTS	PRODUCT INFORMATION CENTER 1-800-522-6752	VOLTAGE RATING: 600V MAX (1000V FIXTURE OR SIGN)	DIMENSIONS: mm [INCHES]	TOLERANCES UNLESS OTHERWISE SPECIFIED:	CHK M ELLIS 05SEP95	NAME TERMINAL, HOOK TONGUE, PLASTI-GRIP WIRE SIZE : 16-14 AWG	
FOR APPLICATION TOOLING INFORMATION	TOOLING ASSISTANCE CENTER 1-800-722-1111	CIRCULAR MIL AREA: 1.04-2.62mm² [2,050-5,180] SOLID OR STRANDED		0 PLC ± - 1 PLC ± - 2 PLC ± 0.20 [.008] 3 PLC ± - 4 PLC ± - ANGLES ± -	APVD G NGO 05SEP95	APPLICATION SPEC UL 486A	SIZE A3
FOR ORDER ENTRY	1-800-526-5142	THIS DRAWING IS A CONTROLLED DOCUMENT FOR AMP INCORPORATED. IT IS SUBJECT TO CHANGE AND THE CONTROLLING ENGINEERING ORGANIZATION SHOULD BE CONTACTED FOR THE LATEST REVISION.	MATERIAL ⑤	FINISH TIN PER ASTM B-545	PRODUCT SPEC UL 486A	WEIGHT -	CAGE CODE 00779
			CUSTOMER DRAWING		DRAWING NO C-320263	RESTRICTED TO -	SCALE 6:1
					SHEET 1	OF 1	REV G