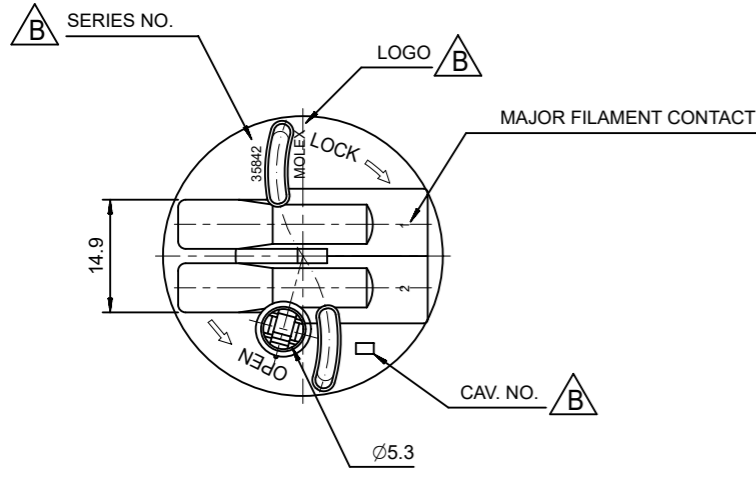


- NOTES  
 1. FOCAL LENGTH = 31.8mm  
 2. PRODUCT SPECIFICATION: PS-35842-001  
 3. APPLICABLE BULB CAP: P21/4W(BAZ15d)  
 4. MATES WITH

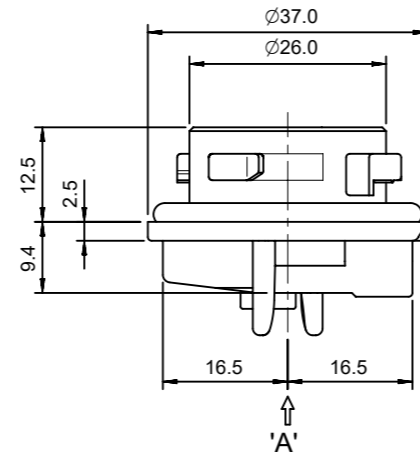
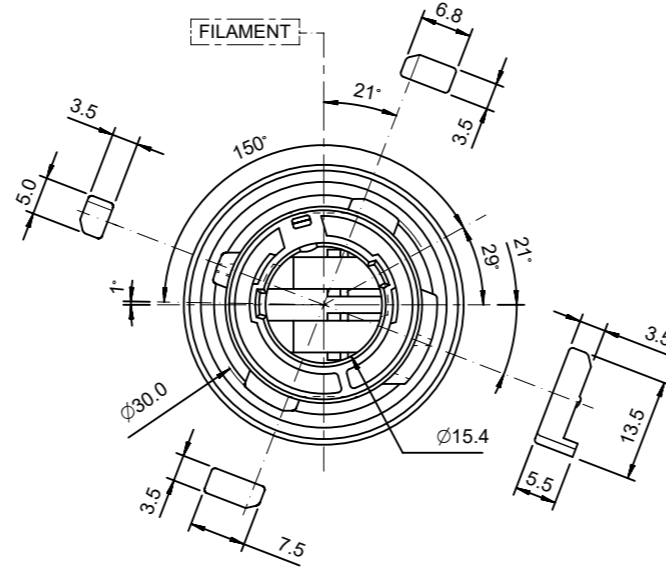
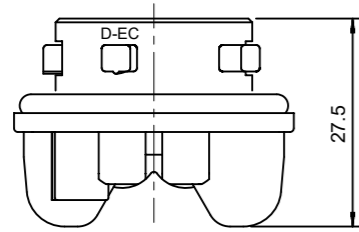
NO.	DESCRIPTION	MATERIAL	ORDER NO.	REMARK
③	POSITIVE TERMINAL	PHOSPHOR BRONZE	35464-8000	UNPLATED
④	POSITIVER WIRE SEAL	SILICONE	35903-0096	BROWN
⑤	EARTH TERMINAL	PHOSPHOR BRONZE	35465-8000	UNPLATED
⑥	EARTH WIRE SEAL	SILICONE	35903-0106	BLUE

<PART LIST>

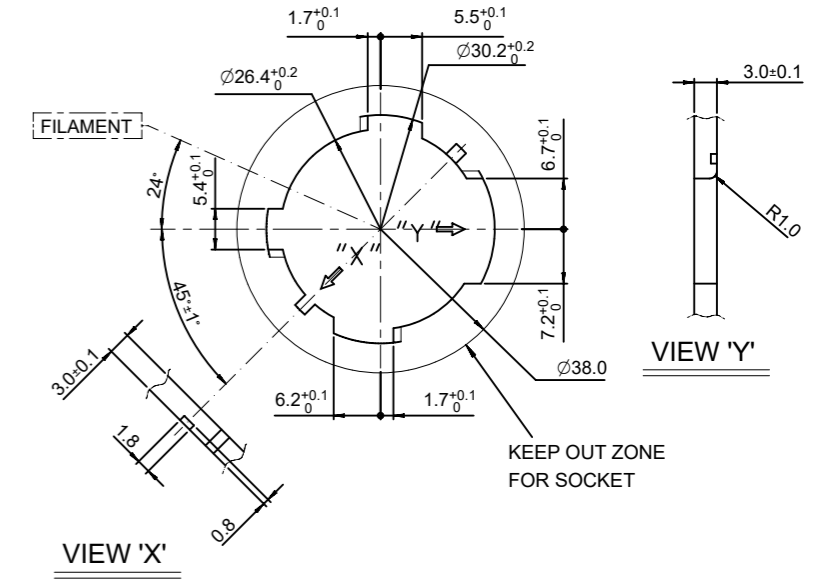
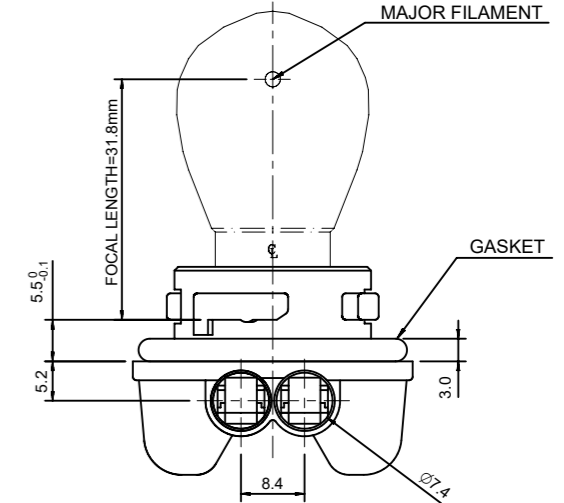
NO.	DESCRIPTION	MATERIAL	USAGE	REMARK
①	DOUBLE SOCKET	PA66 M/F	1	EC TYPE
②	SEAL GASKET	NBR	1	BLACK



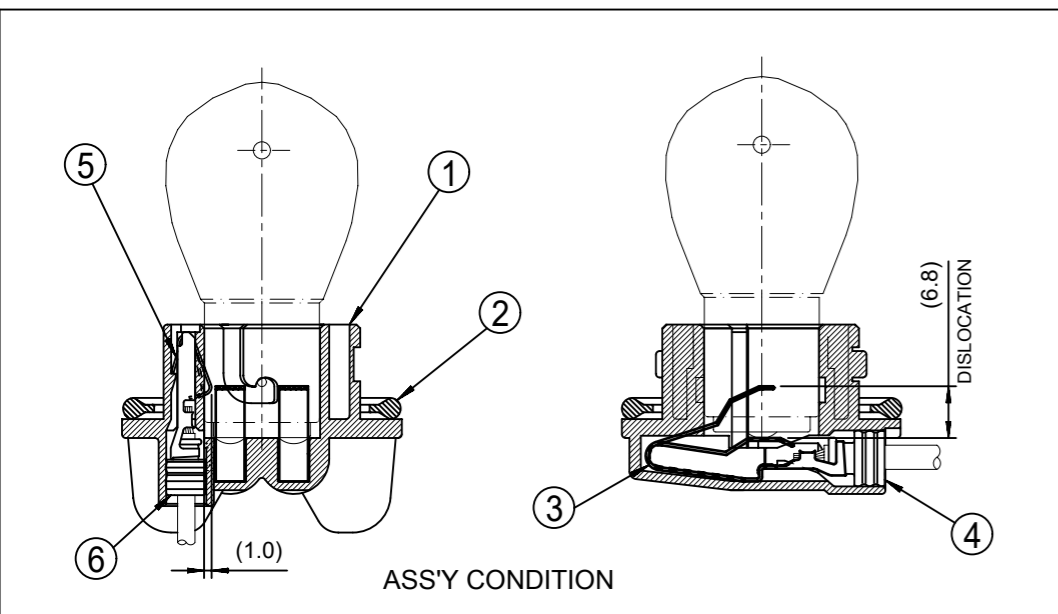
VIEW 'A'



'A'



MOUNTING INTERFACE  
(MI-4)



ASS'Y CONDITION

<TABLE 1>

MATERIAL NO.	ORDER NO.	COLOR
358421335	35842-1335	GRAY

THIS DRAWING CONTAINS INFORMATION THAT IS PROPRIETARY TO MOLEX ELECTRONIC TECHNOLOGIES, LLC AND SHOULD NOT BE USED WITHOUT WRITTEN PERMISSION

DIMENSION UNITS	SCALE	CURRENT REV DESC: RETRACTION AS PER SALES FORCE CASE#175686	<b>molex</b>		
mm	1:1				
GENERAL TOLERANCES (UNLESS SPECIFIED)			SEALED PT BULB SOCKET DOUBLE HOUSING ASS'Y (EC-TYPE)		
			PRODUCT CUSTOMER DRAWING		
4 PLACES	±	±	EC NO: 670388	2021/07/15	DOCUMENT NUMBER
3 PLACES	±	±	DRWN: SUGEEB	2021/07/16	SD-35842-003
2 PLACES	± 0.15	±	CHK'D: GGA	2021/07/16	DOC TYPE
1 PLACE	± 0.25	±	APPR: GGA	2021/07/16	DOC PART
0 PLACES	±	±	INITIAL REVISION:	2009/07/20	REVISION
ANGULAR TOL ± 2.0°			DRWN: EOKIM	2009/07/20	001
DRAFT WHERE APPLICABLE MUST REMAIN WITHIN DIMENSIONS			APPR: EHJUNG	2009/07/20	D
THIRD ANGLE PROJECTION			DRAWING	SERIES	MATERIAL NUMBER
A3-SIZE			A3-SIZE	35842	SEE TABLE
CUSTOMER			GENERAL MARKET		
SHEET NUMBER			1 OF 1		