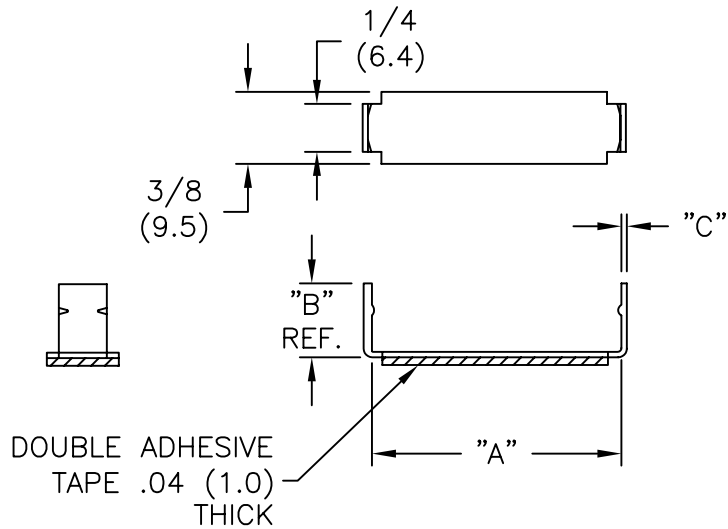


| PART NO. | CABLE WIDTH "A" | DIM "B" | DIM "C" |
|-----------|--------------------|--------------|--------------|
| AFCC-08 | 1/2 (12.7) | 1/4 (6.4) | .02 (0.5) |
| AFCC-12 | 3/4 (19.1) | 1/4 (6.4) | |
| AFCC-16 | 1 (25.4) | 5/16 (7.9) | |
| AFCC-20 | 1-1/4 (31.8) | 3/8 (9.5) | |
| AFCC-21 | 1-5/16 (33.3) | .385 (9.8) | |
| AFCC-24 | 1-1/2 (38.1) | 7/16 (11.1) | |
| AFCC-27.5 | 1.715 (43.6) | .49 (12.5) | .03 (0.7) |
| AFCC-28 | 1-3/4 (44.5) | 1/2 (12.7) | |
| AFCC-32 | 2 (50.8) | 9/16 (14.3) | |
| AFCC-36 | 2-1/4 (57.2) | 5/8 (15.9) | |
| AFCC-40 | 2-1/2 (63.5) | 11/16 (17.5) | |
| AFCC-44 | 2-3/4 (69.9) | 3/4 (19.1) | |
| AFCC-48 | 3 (76.2) | 13/16 (29.6) | |



| | | | | | | | |
|---|--|--|-----------|-----------|--------|-------------------|------------|
| TITLE: ALUMINUM FLAT CABLE CLAMP | | | | | | DWG IN IN (MM) | |
| TOLERANCES UNLESS NOTED .XX=±.010 .XXX=±.005 FRAC=±1/64 ANG=±1° | | FILE # AFCC | DWN: P.B. | APP: | | FINAL | |
| MAT'L: ALUMINUM | | DT: 01-16-95 | DT: | | PART # | | PRINT TYPE |
| RE: RICHCO, INC. | | RICHCO INC. PO BOX 804238, CHICAGO, 60680 (773) 539-4060 | | SEE TABLE | | CA | |

| | | |
|-----|----------------------------------|-------------|
| B | CHANGED FILE NO. AND TITLE BLOCK | SM 03.22.02 |
| A | CONVERTED TO ACAD | PB 01.16.95 |
| REV | DESCRIPTION | ENGR DATE |