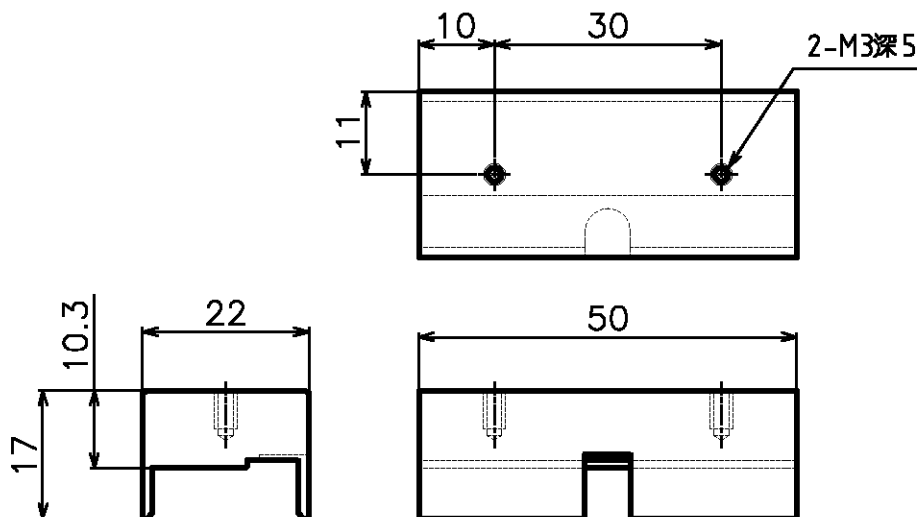


LOC	DIST	REVISIONS					
J	—	P	LTR	DESCRIPTION	DATE	DWN	APVD
		O		RELEASED FJ00-2111-02	09OCT02	J.S	S.S



NOTES)

1. はじめに (Introduction)
 本工具はZ-PACK 2mm HM コネクタを基板に圧入する為の挿入治具です。
 This is an insertion tool designed to insert a Z-PACK 2mm HM connector onto a PC board.
2. 適用製品 (Applicable products)
 Z-PACK 2mm HM receptacle connector type A/B with upper shield (4 ROW)
 (P/N:1612872-1; 1612872-9; 1-1612872-9)
3. 外形寸法 (Overall dimensions)
 50(W)×22(D)×17(H) mm
4. 重量 (Weight)
 約 100 g (100 g Approx.)
5. 取扱説明書 (Instruction sheet)
 411-78060

THIS DRAWING IS UNPUBLISHED. ALL RIGHTS RESERVED. BY TYCO ELECTRONICS CORPORATION.

DIMENSIONS: 単位: 精 MM	DWN	J.SEKI	23JUL2002	MATERIAL	材料	—	FINISH	仕上	—		
	CHK	S.SUZUKI	09OCT02	tyco Tyco Electronics AMP K.K. Electronics Kawasaki, Japan							
TOLERANCES UNLESS OTHERWISE SPECIFIED: 一般公差	APVD	H.TANAKA	09OCT02	NAME 名称 Z-PACK 2mm HMリセ型70°-3-1付コネクタ用挿入治具 INS. BLOCK for HM CONN with UPPER SHIELD							
	PRODUCT SPEC	製品規格	—								
0 PLC ± - 1 PLC ± - 2 PLC ± - 3 PLC ± - 4 PLC ± - ANGLES ± -	APPLICATION SPEC	取付適用規格	—								
	WEIGHT	—									
	CUSTOMER DRAWING				SIZE	A4	CAGE CODE	00779	DRAWING NO	1596463-1	RESTRICTED TO
AMP 1489-35 REV 31MAR2000				SCALE	1:1	SHEET	1	OF	1	REV	0