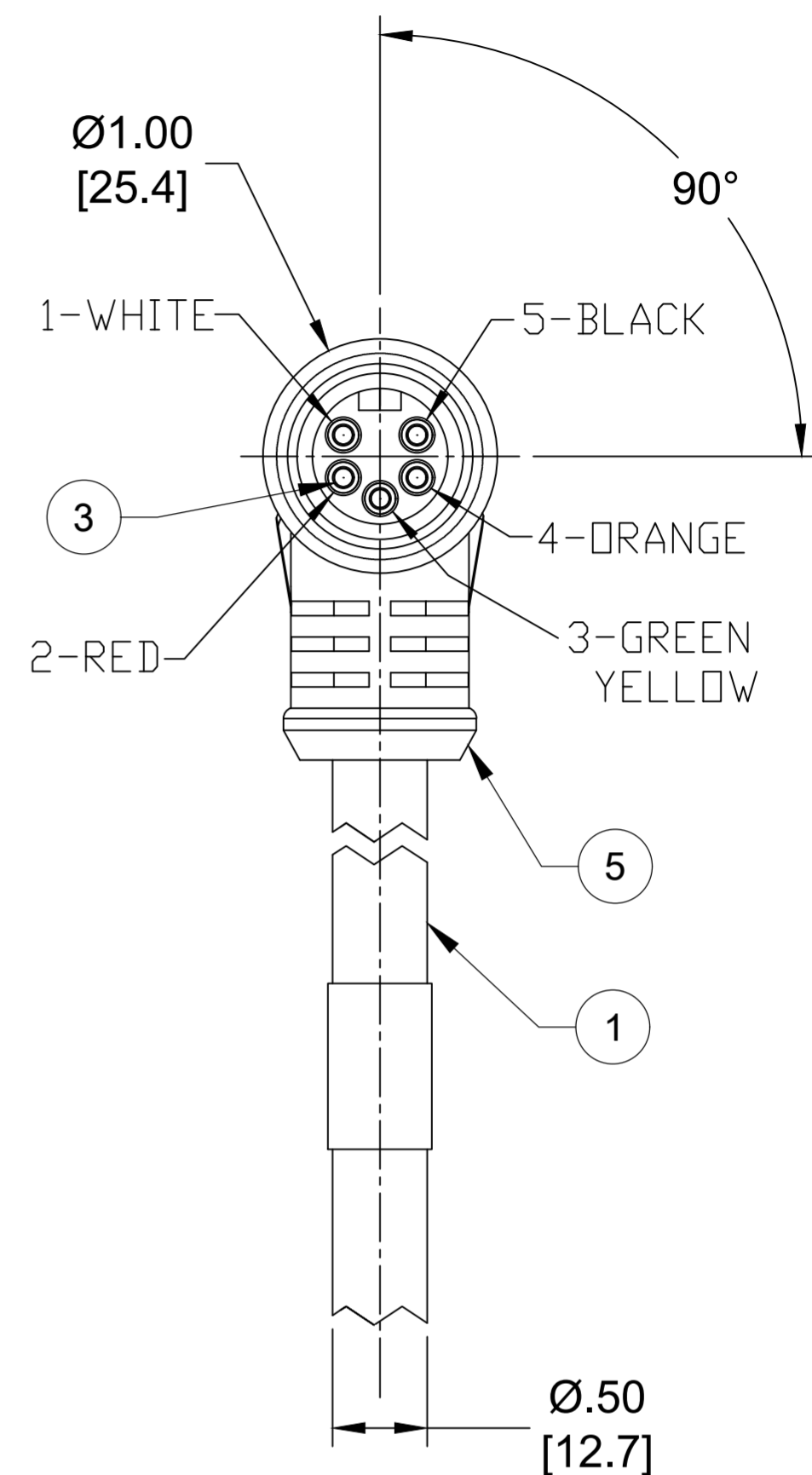
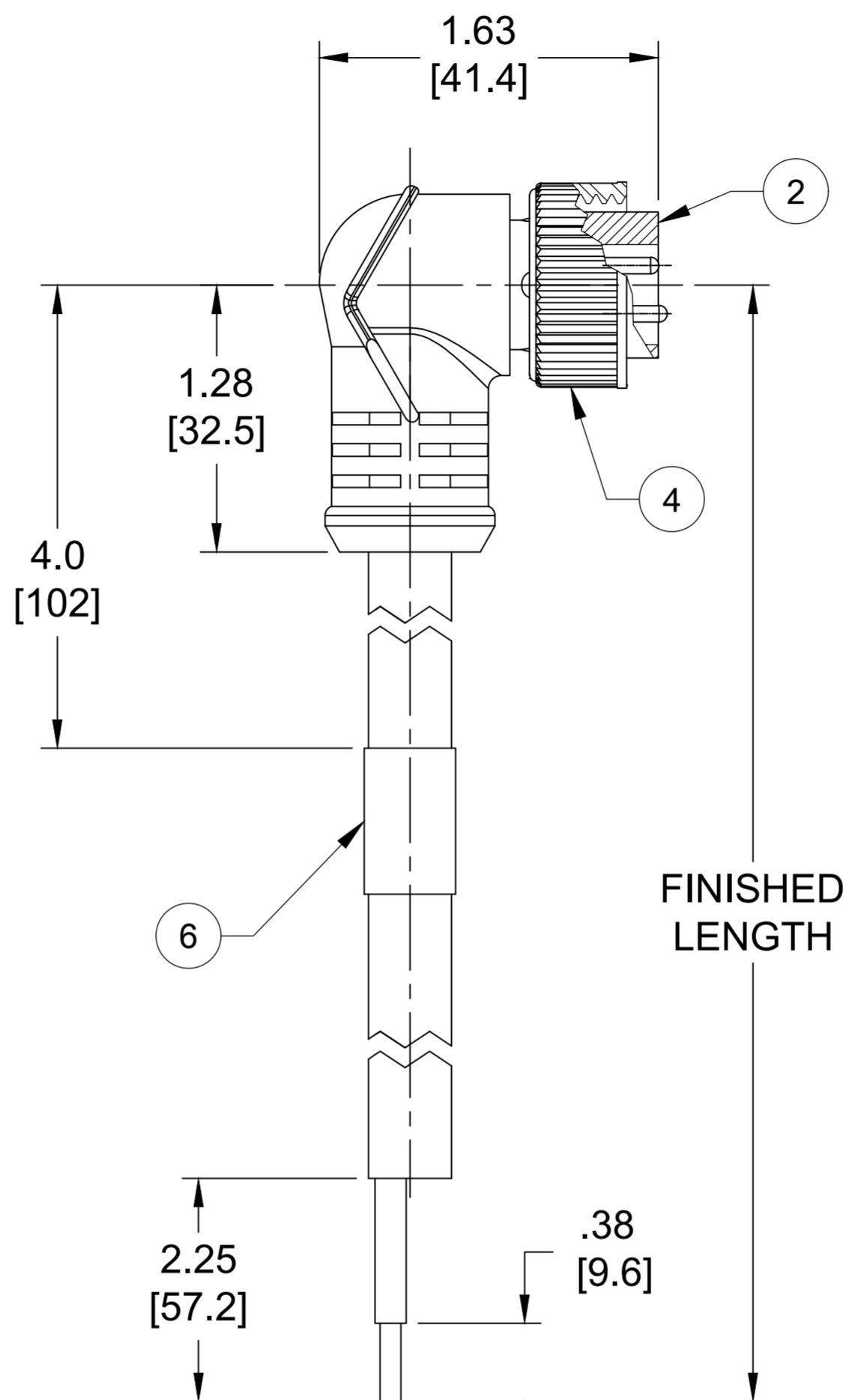
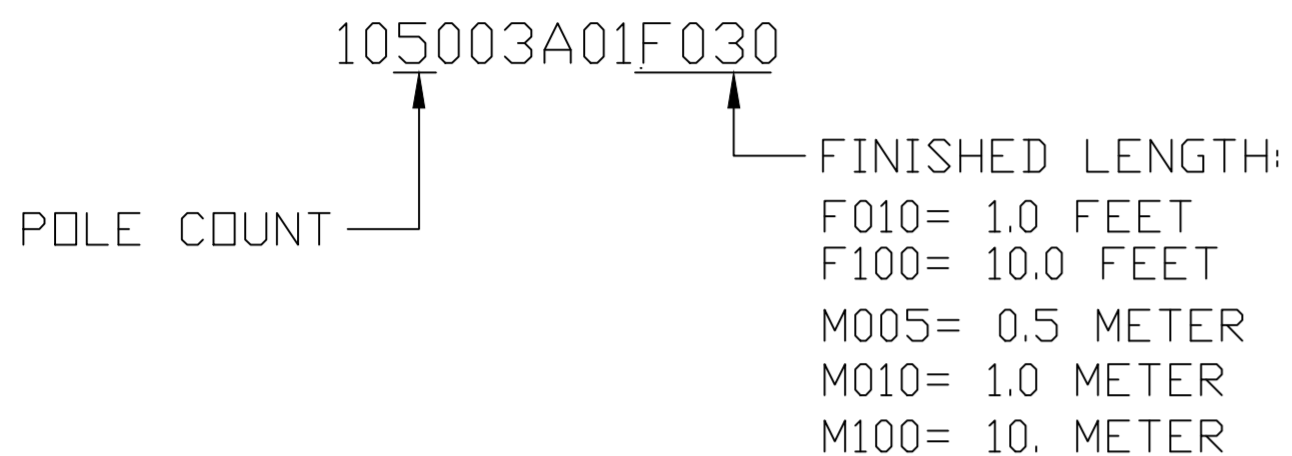


PART NO.	ENGINEERING NO.	FINISHED LENGTH
1300061516	105003A01F030	3.0FT [0.9M] (A1)
1300061518	105003A01F060	6.0FT [1.8M]
1300061524	105003A01F200	20.0FT [6.1M]

REF. THIS DRAWING SUPERSEDES SD-130006-035 REV-1

PART NUMBER LEGEND



- NOTES:**
- MATERIAL: AS NOTED
 - FINISH: AS NOTED
 - ELECTRICAL:
VOLTAGE: 400V PER IEC60664
600V PER UL2238
CURRENT: 8A
 - TEMP RATING: -20°TO +90°C (A1)
 - PROTECTION: IP67 (WHEN MATED)
 - COUPLING THREAD: 7/8-16UN
 - UL RECOGNIZED FILE: E152210
CSA CERTIFIED FILE: LR6837
 - ALL DIMS ARE FOR REFERENCE UNLESS TOLERANCED OR NOTED OTHERWISE

CABLE LENGTH TOLERANCES

>.3M [1FT]:	+19mm-0 [+ .75in-0]
.3 - .9M [1 - 3FT]:	+44.5mm-0 [+1.75in-0]
.9 - 1.8M [3 - 6FT]:	+55.6mm-0 [+2.19in-0]
1.8 - 3.7M [6 - 12FT]:	+88.9mm-0 [+3.50in-0]
3.7 - 7.3M [12 - 24FT]:	+165.1mm-0 [+6.50in-0]
7.3-14.6M [24 - 48FT]:	+317.5mm-0 [+12.50in-0]
14.6 - 30.5M [48-100FT]:	+622.3mm-0 [+24.50in-0]
OVER 30M [100FT]	+2% OF FINISHED LENGTH

PRE-RELEASE
REFERENCE
USE ONLY

ITEM	DESCRIPTION	MATERIAL	FINISH
6	WRAP LABEL	VINYL	BLACK/YELLOW
5	OVERMOLD	TPE	YELLOW
4	COUPLING NUT, INT. THD	ZINC DIE-CAST	NICKEL PLATED
3	CONTACT PIN	COPPER ALLOY	GOLD PLATED
2	MALE INSERT	TPE	YELLOW
1	CABLE, 16/5, STOOW	PVC JACKET	YELLOW

SYMBOLS		THIS DRAWING CONTAINS INFORMATION THAT IS PROPRIETARY TO MOLEX ELECTRONIC TECHNOLOGIES, LLC AND SHOULD NOT BE USED WITHOUT WRITTEN PERMISSION		CURRENT REV DESC: CORRECTED FINISHED LENGTH, WAS 9.1M, TEMP SPEC WAS 80°	
△ = 0	DIMENSION UNITS	SCALE			
▽ = 0	INCH/MM	1:1			
∇ = 0	GENERAL TOLERANCES (UNLESS SPECIFIED)		EC NO: ----		
∇ = 0	4 PLACES	±----	DRWN: RSTONE	2019/11/26	
∇ = 0	3 PLACES	±----	CHK'D: MZIELINSKI	2019/12/04	
∇ = 0	2 PLACES	±----	APPR: ----		
∇ = 0	1 PLACE	±----	INITIAL REVISION:		
∇ = 0	0 PLACES	±----	DRWN: RSTONE	2019/09/10	
∇ = 0	ANGULAR TOL ± ---- °		APPR: BWOODMAN	2019/10/03	
∇ = 0	DRAFT WHERE APPLICABLE MUST REMAIN WITHIN DIMENSIONS		THIRD ANGLE PROJECTION	DRAWING	SERIES
			C-SIZE	130006	

molex		
MINI CHANGE CABLE ASSY, 5P, MALE, 90 DEG		
16AWG, STOOW, INTERNAL THREAD		
PRODUCT CUSTOMER DRAWING		
DOCUMENT NUMBER	DOC TYPE	DOC PART
1300061516	PSD	000
CUSTOMER		REVISION
---		A1
MATERIAL NUMBER	SHEET NUMBER	
---	1 OF 1	