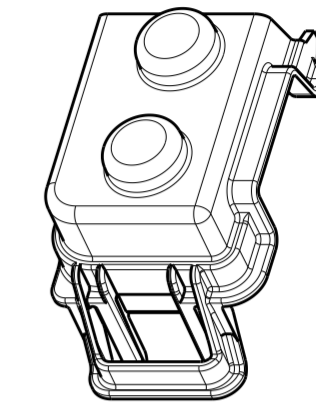
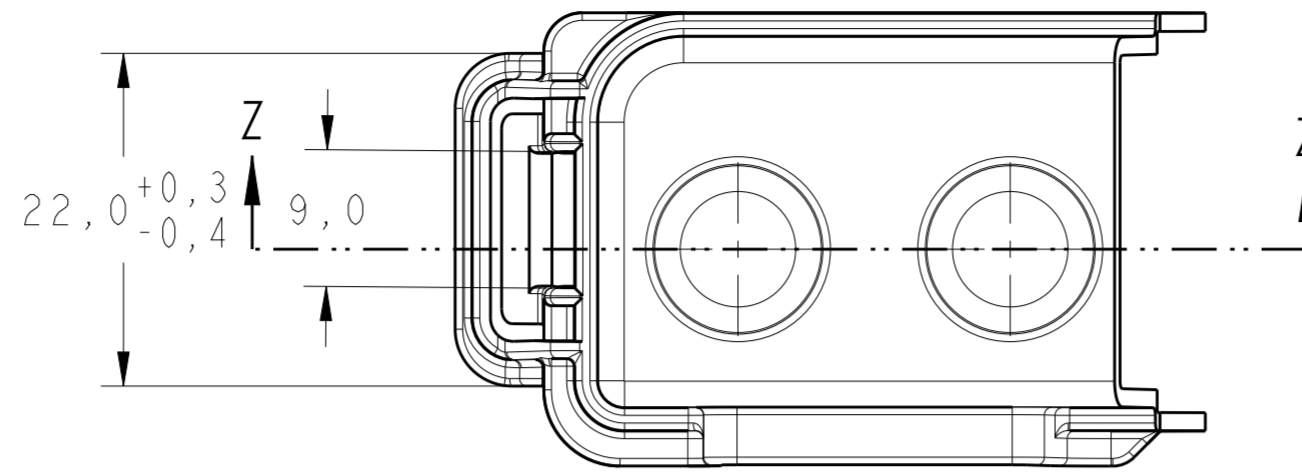
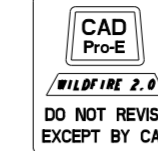
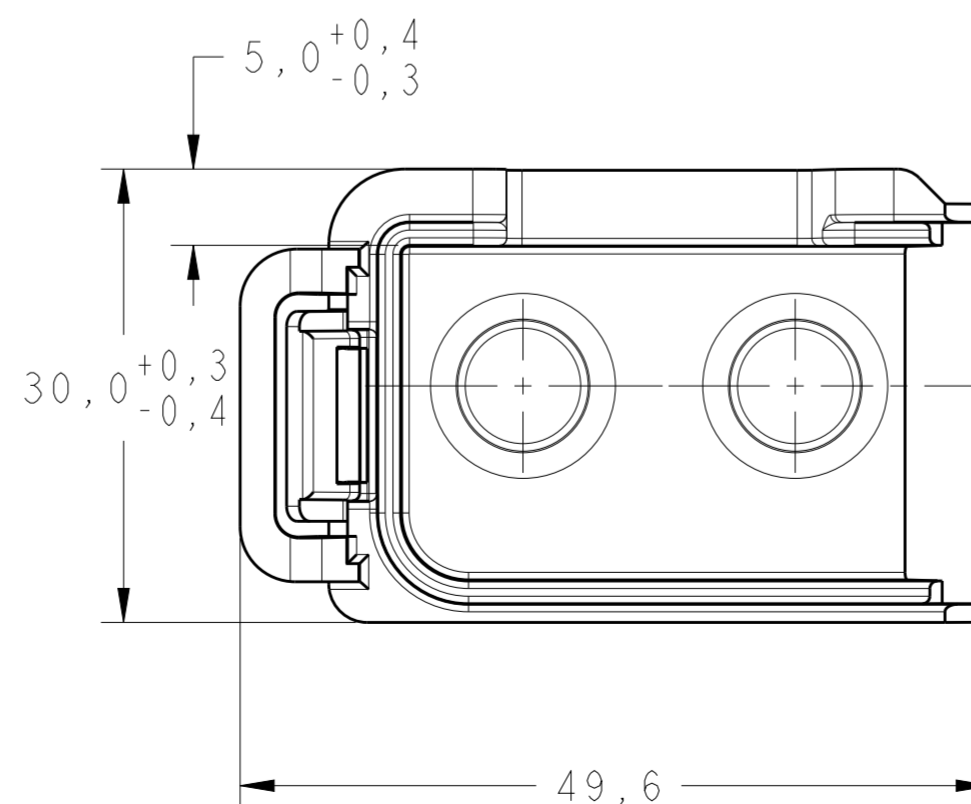
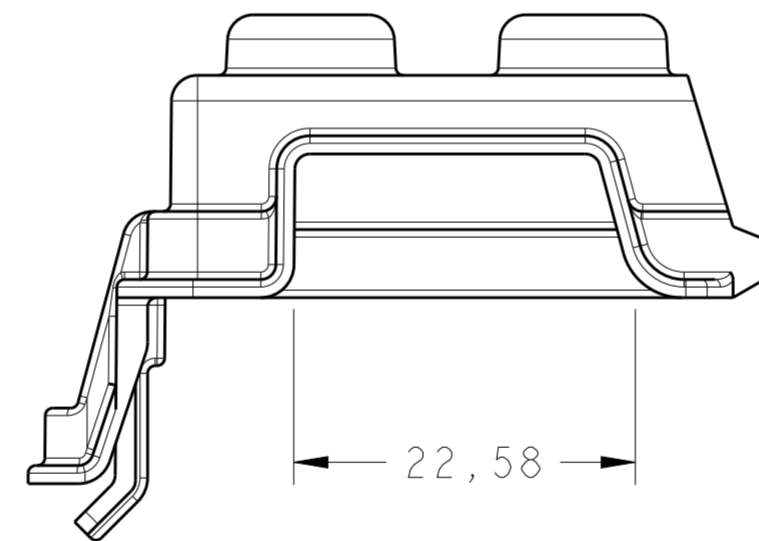
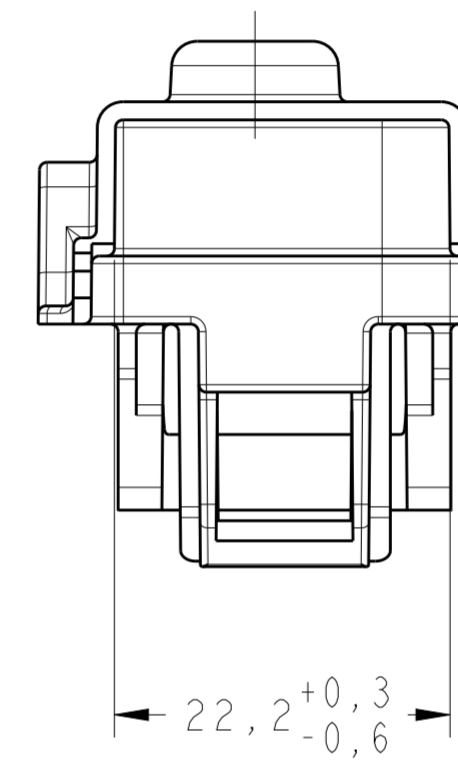
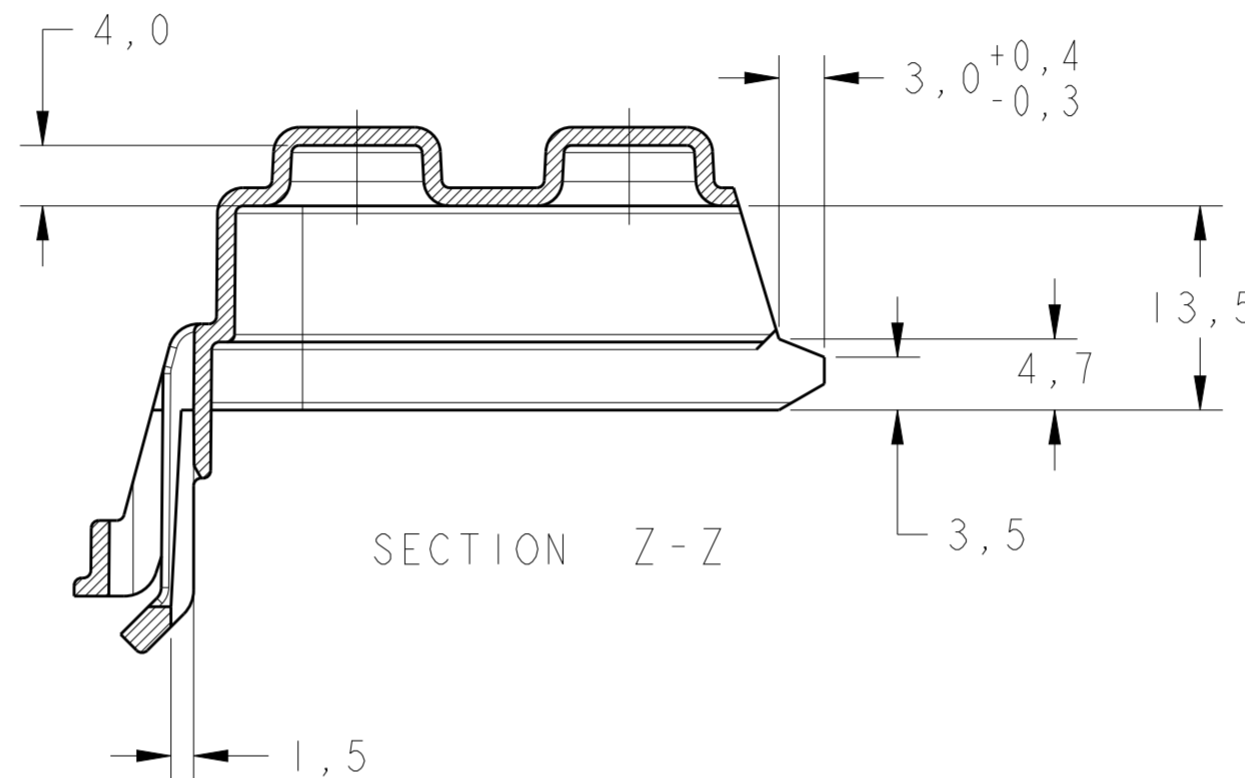
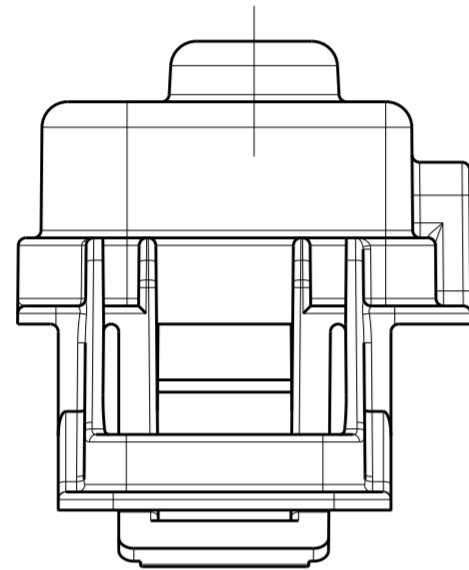


THIS DRAWING IS UNPUBLISHED. RELEASED FOR PUBLICATION 20  
 © COPYRIGHT 20 BY TYCO ELECTRONICS CORPORATION. ALL RIGHTS RESERVED.

LOC	DIST	REVISIONS			
P	LTR	DESCRIPTION	DATE	DWN	APVD
AP	-				
	A	REVISED BY RSA20177-01	16JUN2020	PSB	DAO



PERSPECTIVE VIEW  
SCALE 1:1



GRAVAÇÕES MARKINGS
CÓDIGO PAÍS PRODUTOR MANUFACTURER COUNTRY CODE
NOMENCLATURA MATERIAL MATERIAL NOMENCLATURE
LOGOTIPO CLIENTE CUSTOMER LOGO
PAÍS PRODUTOR MANUFACTURER COUNTRY
DATADOR DATE CODE
REV+ LETRA REV.DA PEÇA REV.+ PART REV.LETTER

THIS DRAWING IS A CONTROLLED DOCUMENT FOR TYCO ELECTRONICS CORPORATION. IT IS SUBJECT TO CHANGE AND THE CONTROLLING ENGINEERING ORGANIZATION SHOULD BE CONTACTED FOR THE LATEST REVISION.	
DIMENSIONS: mm	TOLERANCES UNLESS OTHERWISE SPECIFIED:
	0 PLC ± 1 PLC ±0,3 2 PLC ± 3 PLC ± 4 PLC ± ANGLES ±1° FINISH
MATERIAL SEE TABLE	SEE TABLE

PRETO / BLACK	PBT+10%GF/FV	1989306 -1
FINISH	MATERIAL	PART NUMBER
DWN NCLAPRESA 06DEC2007	TYCO ELECTRONICS Brasil LTDA. Sao Paulo, Brasil	
CHK PLEARLA 06DEC2006	NAME COVER EYELET	
APVD NSANTOS 06DEC2007	SIZE A200779	DRAWING NO C-1989306
PRODUCT SPEC -	CAGE CODE -	RESTRICTED TO -
APPLICATION SPEC NA	SCALE 1:1	SHEET OF 1
WEIGHT -	CUSTOMER DRAWING	REV A